



The HAMMER Union

Recommended service applications:
Cement pumping, hydrostatic testing, closed loop systems, chicksan tie in, and all SAE 100R12 and 100R13 2" applications

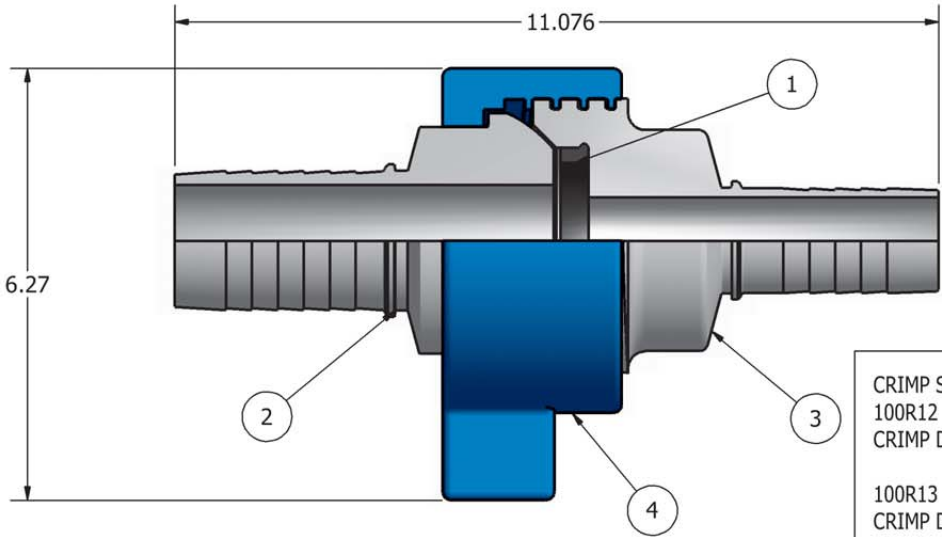
Features:
Replaceable lip-type seals, provides primary seal, protects secondary metal-to-metal seal, one piece crimpable Hammer Union fitting

Made in USA



PARTS LIST			
ITEM	QTY	PART NUMBER	DESCRIPTION
1	1	Ring Cushion	
2	1	1502-F32W	
3	1	1502-M32W	
4	1	Hammer Union Nut	

HAMMER UNION



CRIMP SPECS:
 100R12 = NON-SKIVE
 CRIMP DIA. = 2.780
 100R13 = SKIVE 2.500 TO THE WIRE
 CRIMP DIA. = 2.960

PROPRIETARY OF NRP JONES

REV	DESCRIPTION	BY	DATE	NRP-Jones, LLC LaPorte Ind.	
				DESCRIPTION	MATERIAL
				2" HAMMER UNION	
				DECIMAL 2 PLACE± .010 3 PLACE± .005	PART No.
				TOLERANCE (UNLESS OTHERWISE NOTED)	HAMMER UNION
				ANGULAR± 1/2° FRACTIONAL± 1/64°	DATE 4/27/2012
				CONCENTRICITY .015 TIR	DRAWN IAN METCALF
					SCALE .75:1



Corporate Office & Manufacturing:

302 Philadelphia Street Office: 219-362-9908
 LaPorte, Indiana 46350 Fax: 219-324-5232
 Customer Service Toll-Free Number **1-800-453-1480**
 Order Entry Toll-Free Fax Number **1-800-207-2221**
 Website www.nrpjones.com
 Email nrpjones@nrpjones.com

Manufacturing Facility:

255 West 11th North Office: 435-623-1740
 Nephi, Utah 84648 Fax: 435-623-2638
 Customer Service Toll-Free Number **1-800-453-1480**
 Order Entry Toll-Free Fax Number **1-800-207-2221**
 Email sales@nrp-jones.com

**NRP-Jones is your single-source manufacturer of reliable hose and fitting products.
 Look to us for the service, quality and price your company needs for success – today and tomorrow.**