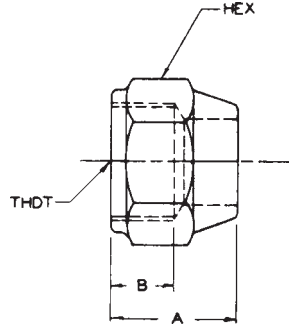


Hydraulic Adapters & Tube Fittings



Refer to Price Book (pages 85-116) for Additional Adapter Configurations

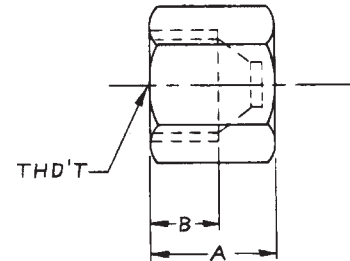
302 SHORT NUT



Part Number	Tube O.D.	Thread	A	B	Hex
302-4	1/4	7/16-20	19/32	.375	9/16
302-5	5/16	1/2-20	19/32	.375	5/8
302-6	3/8	9/16-18	21/32	.385	11/16
302-8	1/2	3/4-16	13/16	.438	7/8
302-10	5/8	7/8-14	15/16	.521	1
302-12	3/4	1-1/16-12	1-9/64	.594	1-1/4
302-14	7/8	1-3/16-12	1-13/64	.594	1-3/8
302-16	1	1-5/16-12	1-9/32	.625	1-1/2
302-20	1-1/4	1-5/8-12	1-7/16	.625	2
302-24	1-1/2	1-7/8-12	1-9/16	.708	2-1/4
302-32	2	2-1/2-12	2	.875	2-7/8

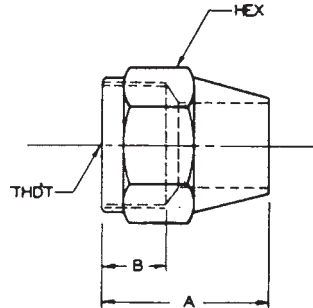
304-C CAP NUT

Available in 316 Stainless Steel



Part Number	Tube O.D.	Thread	A	B	Hex
304-C-3	3/16	3/8-24	-	-	-
304-C-4	1/4	7/16-20	19/32	.328	9/16
304-C-5	5/16	1/2-20	39/64	.344	5/8
304-C-6	3/8	9/16-18	5/8	.344	11/16
304-C-8	1/2	3/4-16	3/4	.375	7/8
304-C-10	5/8	7/8-14	27/32	.469	1
304-C-12	3/4	1-1/16-12	29/32	.500	1-1/4
304-C-14	7/8	1-3/16-12	31/32	.531	1-3/8
304-C-16	1	1-5/16-12	1-1/64	.563	1-1/2
304-C-20	1-1/4	1-5/8-12	1-1/16	.563	2
304-C-24	1-1/2	1-7/8-12	1-3/16	.656	2-1/4
304-C-32	2	2-1/2-12	1-7/16	.828	2-7/8

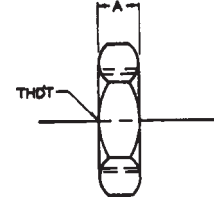
304 STANDARD NUT



Part Number	Tube O.D.	Thread	A	B	Hex
304-4	1/4	7/16-20	13/16	.375	9/16
304-5	5/16	1/2-20	13/16	.375	5/8
304-6	3/8	9/16-18	15/16	.385	11/16
304-8	1/2	3/4-16	1-3/32	.438	7/8
304-10	5/8	7/8-14	1-1/4	.521	1
304-12	3/4	1-1/16-12	1-5/8	.594	1-1/4
304-14	7/8	1-3/16-12	1-3/4	.594	1-3/8
304-16	1	1-5/16-12	1-13/16	.625	1-1/2
304-20	1-1/4	1-5/8-12	1-15/16	.625	2
304-24	1-1/2	1-7/8-12	2-1/16	.708	2-1/4
304-32	2	2-1/2-12	2-5/16	.875	2-7/8

306 LOCK NUT

Available in 316 Stainless Steel



Part Number	Tube O.D.	Thread	A	Hex
306-4	1/4	7/16-20	1/4	11/16
306-5	5/16	1/2-20	1/4	3/4
306-6	3/8	9/16-18	17/64	13/16
306-8	1/2	3/4-16	5/16	1
306-10	5/8	7/8-14	23/64	1-1/8
306-12	3/4	1-1/16-12	13/32	1-3/8
306-14	7/8	1-3/16-12	13/32	1-1/2
306-16	1	1-5/16-12	13/32	1-5/8
306-20	1-1/4	1-5/8-12	13/32	1-7/8
306-24	1-1/2	1-7/8-12	13/32	2-1/8
306-32	2	2-1/2-12	13/32	2-3/4

306-N LOCK NUT

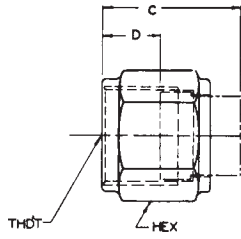
Part Number	Tube O.D.	Thread	A	Hex
306-N-4	1/4	7/16-20	1/4	9/16
306-N-5	5/16	1/2-20	1/4	5/8
306-N-6	3/8	9/16-18	17/64	11/16
306-N-8	1/2	3/4-16	5/16	7/8
306-N-10	5/8	7/8-14	23/64	1
306-N-12	3/4	1-1/16-12	13/32	1-1/4
306-N-14	7/8	1-3/16-12	13/32	1-3/8
306-N-16	1	1-5/16-12	13/32	1-1/2
306-N-20	1-1/4	1-5/8-12	13/32	1-7/8
306-N-24	1-1/2	1-7/8-12	13/32	2-1/8
306-N-32	2	2-1/2-12	13/32	2-3/4



Hydraulic Adapters & Tube Fittings

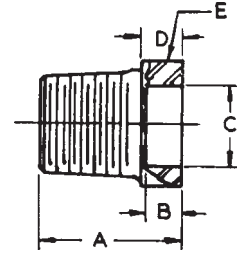
318 NUT

Available in 316 Stainless Steel



Part Number	Tube O.D.	Thread	C	D	Hex
318-2	1/8	5/16 - 24	-	-	-
318-3	3/16	3/8 - 24	-	-	-
318-4	1/4	7/16 - 20	51/64	25/64	9/16
318-5	5/16	1/2 - 20	55/64	27/64	5/8
318-6	3/8	9/16 - 18	15/16	7/16	11/16
318-8	1/2	3/4 - 16	1-1/16	1/2	7/8
318-10	5/8	7/8 - 14	1-15/64	37/64	1
318-12	3/4	1-1/16 - 12	1-9/32	39/64	1-1/4
318-14	7/8	1-3/16 - 12	1-25/64	41/64	1-3/8
318-16	1	1-5/16 - 12	1-15/32	11/16	1-1/2
318-20	1-1/4	1-5/8 - 12	1-39/64	45/64	2
318-24	1-1/2	1-7/8 - 12	1-61/64	53/64	2-1/4
318-32	2	2-1/2 - 12	2-7/8	1-1/16	2-7/8

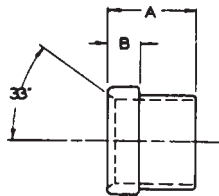
404 BRAZE MALE PIPE UNION



Part Number	Tube O.D.	NPTF Male	A	B	C	D	Hex
404-4-2	1/4	1/8	39/64	.125	.254	3/16	1/2
404-6-4	3/8	1/4	13/16	.140	.379	1/4	5/8
404-8-6	1/2	3/8	27/32	.188	.504	9/32	13/16
404-10-8	5/8	1/2	1-5/64	.218	.631	21/64	15/16
404-12-12	3/4	3/4	1-3/32	.232	.756	11/32	1-1/8
404-16-16	1	1	1-5/16	.250	1.006	3/8	1-3/8
404-20-20	1-1/4	1-1/4	1-13/32	.312	1.256	7/16	1-11/16
404-24-24	1-1/2	1-1/2	1-1/2	.343	1.506	1/2	2
404-32	2	2	1-25/32	.343	2.006	3/4	2-5/8

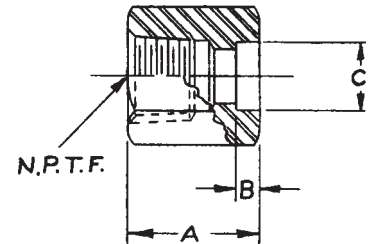
319 SLEEVE

Available in 316 Stainless Steel



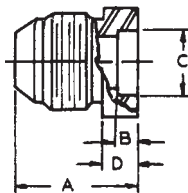
Part Number	Tube O.D.	A	B
319-2	1/8	-	-
319-3	3/16	-	-
319-4	1/4	13/32	9/64
319-5	5/16	7/16	5/32
319-6	3/8	1/2	11/64
319-8	1/2	9/16	7/32
319-10	5/8	21/32	15/64
319-12	3/4	11/16	17/64
319-14	7/8	3/4	17/64
319-16	1	25/32	9/32
319-20	1-1/4	29/32	5/16
319-24	1-1/2	1-1/8	11/32
319-32	2	1-3/16	13/32

405 BRAZE FEMALE PIPE UNION



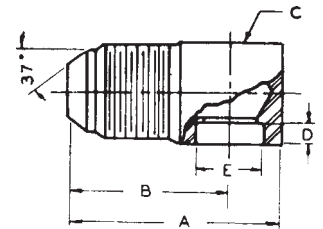
Part Number	Tube O.D.	NPTF Female	A	B	C	Hex
405-4-2	1/4	1/8	39/64	.125	.254	9/16
405-6-4	3/8	1/4	3/4	.140	.379	3/4
405-8-6	1/2	3/8	7/8	.188	.504	7/8
405-10-8	5/8	1/2	1-1/16	.218	.631	1-1/8
405-12-12	3/4	3/4	1-9/64	.232	.756	1-3/8
405-16-16	1	1	1-5/16	.250	1.006	1-5/8
405-20-20	1-1/4	1-1/4	1-33/64	.312	1.256	2
405-24-24	1-1/2	1-1/2	1-17/32	.343	1.506	2-5/16
405-32-32	2	2	1-37/64	.343	2.006	2-7/8

403 BRAZE TUBE UNION



Part Number	Tube O.D.	JIC Male	A	B	C	D	Hex
403-4	1/4	7/16 - 20	47/64	.125	.254	.184	1/2
403-5	5/16	1/2 - 20	-	-	-	-	-
403-6	3/8	9/16 - 18	13/16	.140	.379	.256	5/8
403-8	1/2	3/4 - 16	15/16	.188	.504	.280	13/16
403-10	5/8	7/8 - 14	1-5/64	.218	.631	.320	15/16
403-12	3/4	1-1/16 - 12	1-13/64	.232	.756	.339	1-1/8
403-14	7/8	1-3/16 - 12	-	-	-	-	-
403-16	1	1-5/16 - 12	1-9/32	.250	1.006	.370	1-3/8
403-20	1-1/4	1-5/8 - 12	1-25/64	.312	1.256	.432	1-11/16
403-24	1-1/2	1-7/8 - 12	1-37/64	.343	1.506	.495	2
403-32	2	2-1/2 - 12	2-5/64	.343	2.006	.745	2-5/8

500 BRAZE 90° TUBE ELBOW

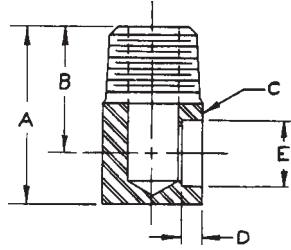


Part Number	Tube O.D.	JIC Male	A	B	C	D	E
500-4	1/4	7/16 - 20	1-9/64	57/64	1/2	.125	.254
500-5	5/16	1/2 - 20	-	-	-	-	-
500-6	3/8	9/16 - 18	1-3/8	1-1/16	5/8	.140	.379
500-8	1/2	3/4 - 16	1-21/32	1-1/4	13/16	.188	.504
500-10	5/8	7/8 - 14	1-15/16	1-29/64	15/16	.218	.631
500-12	3/4	1-1/16 - 12	2-7/32	1-21/32	1-1/8	.232	.756
500-14	7/8	1-3/16 - 12	-	-	-	-	-
500-16	1	1-5/16 - 12	2-1/2	1-13/16	1-3/8	.250	1.006
500-20	1-1/4	1-5/8 - 12	2-15/16	2-1/16	1-3/4	.312	1.256
500-24	1-1/2	1-7/8 - 12	3-5/16	2-21/64	2	.343	1.506
500-32	2	2-1/2 - 12	4-5/16	3-1/16	2-1/2	.343	2.006

Hydraulic Adapters & Tube Fittings

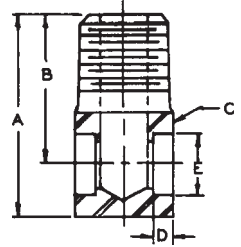


501 BRAZE 90° MALE PIPE ELBOW



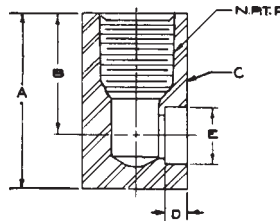
Part Number	Tube O.D.	NPTF Male	A	B	C	D	E
501-4-2	1/4	1/8	1-1/32	25/32	1/2	.125	.254
501-5-4	5/16	1/4	-	-	-	-	-
501-6-4	3/8	1/4	1-3/8	1-1/16	5/8	.140	.379
501-8-6	1/2	3/8	1-19/32	1-3/16	13/16	.188	.504
501-10-8	5/8	1/2	1-29/32	1-7/16	15/16	.218	.631
501-12-12	3/4	3/4	1-31/32	1-13/32	1-1/8	.232	.756
501-16-16	1	1	2-21/32	1-31/32	1-3/8	.250	1.006
501-20-20	1-1/4	1-1/4	1-1/4	2-3/8	1-3/4	.312	1.256
501-24-24	1-1/2	1-1/2	3-5/8	2-5/8	2	.343	1.506
501-32-32	2	2	4-1/4	3	2-1/2	.343	2.006

601 BRAZE MALE PIPE TEE



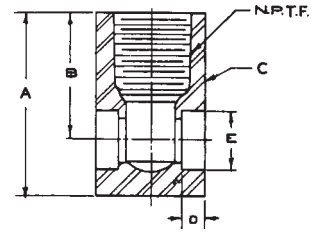
Part Number	Tube O.D.	NPTF Male	A	B	C	D	E
601-4-2	1/4	1/8	1-1/32	25/32	1/2	.125	.254
601-6-4	3/8	1/4	1-3/8	1-1/16	5/8	.140	.379
601-8-6	1/2	3/8	1-19/32	1-3/16	13/16	.188	.504
601-10-8	5/8	1/2	1-29/32	1-7/16	15/16	.218	.631
601-12-12	3/4	3/4	1-31/32	1-13/32	1-1/8	.232	.756
601-16-16	1	1	2-21/32	1-31/32	1-3/8	.250	1.006
601-20-20	1-1/4	1-1/4	3-1/4	2-3/8	1-3/4	.312	1.256
601-24-24	1-1/2	1-1/2	3-5/8	2-5/8	2	.343	1.506
601-32-32	2	2	4-1/4	3	2-1/2	.343	2.006

502 BRAZE 90° FEMALE PIPE ELBOW



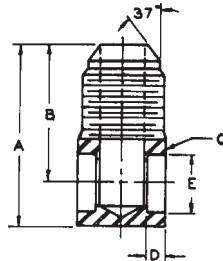
Part Number	Tube O.D.	NPTF Female	A	B	C	D	E
502-4-2	1/4	1/8	15/16	21/32	9/16	.125	.254
502-5-4	5/16	1/4	-	-	-	-	-
502-6-4	3/8	1/4	1-17/64	57/64	3/4	.140	.379
502-8-6	1/2	3/8	1-7/16	31/32	15/16	.188	.504
502-10-8	5/8	1/2	1-51/64	1-15/64	1-1/8	.218	.631
502-12-12	3/4	3/4	2	1-3/8	1-3/8	.232	.756
502-16-16	1	1	2-7/16	1-11/16	1-5/8	.250	1.006
502-20-20	1-1/4	1-1/4	2-23/64	1-31/32	2	.312	1.256
502-24-24	1-1/2	1-1/2	3-1/4	2-1/4	2-3/8	.343	1.506
502-32-32	2	2	3-13/16	2-9/16	2-7/8	.343	2.006

602 BRAZE FEMALE PIPE TEE



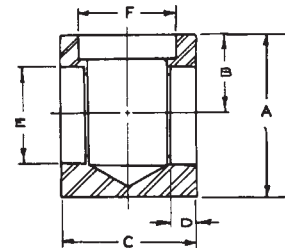
Part Number	Tube O.D.	NPTF Female	A	B	C	D	E
602-4-2	1/4	1/8	15/16	21/32	9/16	.125	.254
602-6-4	3/8	1/4	1-17/64	57/64	3/4	.140	.379
602-8-6	1/2	3/8	1-7/16	31/32	15/16	.188	.504
602-10-8	5/8	1/2	1-51/64	1-15/64	1-1/8	.218	.631
602-12-12	3/4	3/4	2	1-3/8	1-3/8	.232	.756
602-16-20-16	1 & 1-1/4	1	2-7/16	1-11/16	1-5/8	.250	1.006
602-20-20	1-1/4	1-1/4	2-23/64	1-31/32	2	.312	1.256
602-24-24	1-1/2	1-1/2	3-1/4	2-1/4	2-3/8	.343	1.506
602-32-32	2	2	3-13/16	2-9/16	2-7/8	.343	2.006

600 BRAZE TUBE TEE



Part Number	Tube O.D.	JIC Male	A	B	C	D	E
600-4	1/4	7/16 - 20	1-9/64	57/64	1/2	.125	.254
600-5	5/16	1/2 - 20	-	-	-	-	-
600-6	3/8	9/16 - 18	1-3/8	1-1/16	5/8	.140	.379
600-8	1/2	3/4 - 16	1-21/32	1-1/4	13/16	.188	.504
600-10	5/8	7/8 - 14	1-15/16	1-29/64	15/16	.218	.631
600-12	3/4	1-1/16 - 12	1-22/64	1-21/32	1-1/8	.232	.756
600-14	7/8	1-3/16 - 12	-	-	-	-	-
600-16	1	1-5/16 - 12	2-1/2	1-13/16	1-3/8	.250	1.006
600-20	1-1/4	1-5/8 - 12	1-22/64	1-3/4	1-3/4	.312	1.256
600-24	1-1/2	1-7/8 - 12	3-5/16	2-21/64	2	.343	1.506
600-32	2	2-1/2 - 12	4-5/16	3-1/16	2-1/2	.343	2.006

603 BRAZE TUBE TEE

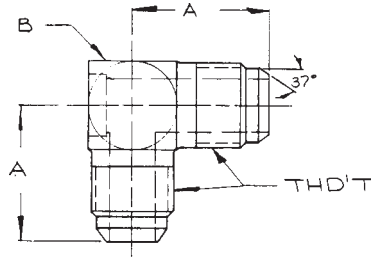


Part Number	Tube O.D.	A	B	C	D	E	F
603-4	1/4	5/8	5/16	1/2	.125	.254	.254
603-6	3/8	49/64	25/64	5/8	.140	.379	.379
603-8	1/2	1	1/2	13/16	.188	.504	.504
603-10	5/8	1-5/32	19/32	15/16	.218	.631	.631
603-12	3/4	1-29/64	43/64	1-1/8	.232	.756	.756
603-16	1	1-41/64	53/64	1-3/8	.250	1.006	1.006
603-20	1 1/4	2-1/8	1-1/16	1-3/4	.312	1.256	1.256
603-24	1 1/2	2-33/64	1-11/64	2	.343	1.506	1.506
603-32	2	2-7/8	1-7/16	2-1/2	.343	2.006	2.006



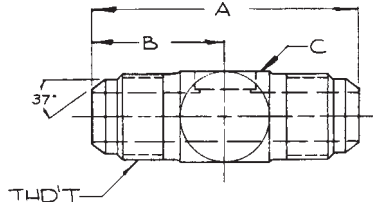
Hydraulic Adapters & Tube Fittings

701 90° BRAZE TUBE ELBOW



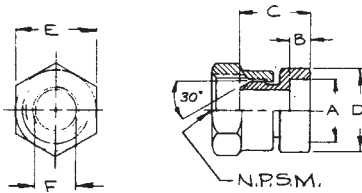
Part Number	Tube O.D.	JIC Male	A	B Min.
701-4	1/4	7/16-20	57/64	7/16
701-5	5/16	1/2-20	61/64	1/2
701-6	3/8	9/16-18	1-1/16	9/16
701-8	1/2	3/4-16	1-1/4	13/16
701-10	5/8	7/8-14	1-29/64	7/8
701-12	3/4	1-1/16-12	1-21/32	1-1/16
701-14	7/8	1-3/16-12	1-23/32	1-3/16
701-16	1	1-5/16-12	1-13/16	1-5/16
701-20	1-1/4	1-5/8-12	2-1/16	1-5/8
701-24	1-1/2	1-7/8-12	2-21/64	1-7/8
701-32	2	2-1/2-12	3-1/16	2-1/2

702 BRAZE TUBE TEE



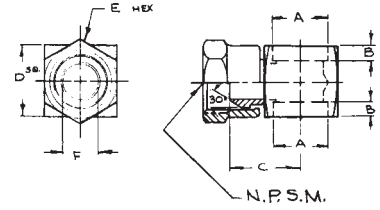
Part Number	Tube O.D.	JIC Male	A	B	C Min.
702-4	1/4	7/16-20	1-23/32	66/64	7/16
702-5	5/16	1/2-20	1-27/32	59/64	1/2
702-6	3/8	9/16-18	2-1/32	1-1/32	9/16
702-8	1/2	3/4-16	2-7/16	1-7/32	13/16
702-10	5/8	7/8-14	2-27/32	1-27/64	7/8
702-12	3/4	1-1/16-12	3-1/4	1-5/8	1-1/16
702-14	7/8	1-3/16-12	3-7/16	1-23/32	1-3/16
702-16	1	1-5/16-12	3-9/16	1-25/32	1-5/16
702-20	1-1/4	1-5/8-12	4-1/16	2-1/32	1-5/8
702-24	1-1/2	1-7/8-12	4-19/32	2-19/64	1-7/8
702-32	2	2-1/2-12	6-1/16	3-1/32	2-1/2

800 BRAZE SWIVEL UNION



Part Number	Tube O.D.	NPSM Female	A	B	C	D	E	F
800-6-4	3/8	1/4	.379	.140	23/32	5/8	11/16	15/64
800-8-6	1/2	3/8	.504	.188	25/32	3/4	7/8	23/64
800-8-8	1/2	1/2	-	-	-	-	-	-
800-10-6	5/8	3/8	.631	.218	55/64	7/8	1	31/64
800-10-8	5/8	1/2	.756	.232	7/8	1	1	31/64
800-12-8	3/4	1/2	.756	.232	1	1	1-1/4	21/32
800-12-12	3/4	3/4	1.006	.250	1	1-1/4	1-1/4	21/32
800-14-12	7/8	1	1.006	.250	1	1-1/4	1-1/2	7/8
800-16-12	1	3/4	1.256	.312	1	1-1/2	1-1/4	21/32
800-16-16	1	1	1.006	.250	1	1-1/4	1-1/2	7/8
800-20-12	1-1/4	3/4	1.256	.312	1	1-1/2	1-1/4	21/32
800-20-16	1-1/4	1	1.256	.312	1-1/64	1-1/2	1-1/2	7/8
800-20-20	1-1/4	1-1/4	1.256	.312	1-1/8	1-5/8	1-7/8	1-5/32

801 AND 802 BRAZE SWIVEL UNION 90° AND 90° TEE



801

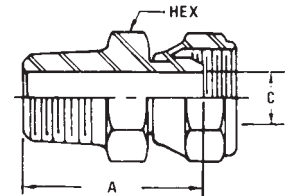
Part Number	Tube O.D.	NPSM Female	A	B	C	D	E	F
801-6-4	3/8	1/4	.379	.140	3/4	5/8	11/16	15/64
801-8-6	1/2	3/8	.504	.188	13/16	3/4	7/8	23/64
801-8-8	1/2	1/2	.504	.188	57/64	7/8	1	31/64
801-10-8	5/8	1/2	.631	.218	57/64	7/8	1	31/64
801-12-8	3/4	1/2	.756	.232	61/64	1	1	31/64
801-12-12	3/4	3/4	.756	.232	1-11/64	1-1/8	1-1/4	21/32
801-14-8	7/8	1/2	-	-	-	-	-	-
801-16-12	1	3/4	1.006	.250	1-3/16	1-1/4	1-1/4	21/32
801-16-16	1	1	1.006	.250	1-5/16	1-3/8	1-1/2	7/8
801-20-12	1-1/4	3/4	1.256	.312	1-23/64	1-1/2	1-1/4	21/32
801-20-16	1-1/4	1	1.256	.312	1-3/8	1-1/2	1-1/2	7/8

802

Part Number	Tube O.D.	NPSM Female	A	B	C	D	E	F
802-6-4	3/8	1/4	.379	.140	3/4	5/8	11/16	15/64
802-8-6	1/2	3/8	.504	.188	13/16	3/4	7/8	23/64
802-8-8	1/2	1/2	.504	.188	57/64	7/8	1	31/64
802-10-8	5/8	1/2	.631	.218	57/64	7/8	1	31/64
802-12-8	3/4	1/2	.756	.232	61/64	1	1	31/64
802-12-12	3/4	3/4	.756	.232	1-11/64	1-1/8	1-1/4	21/32
802-16-12	1	3/4	1.006	.250	1-3/16	1-1/4	1-1/4	21/32
802-16-16	1	1	1.006	.250	1-5/16	1-3/8	1-1/2	7/8
802-20-12	1-1/4	3/4	1.256	.312	1-23/64	1-1/2	1-1/4	21/32
802-20-16	1-1/4	1	1.256	.312	1-3/8	1-1/2	1-1/2	7/8

1404 MALE ADAPTER UNION

Available in 316 Stainless Steel

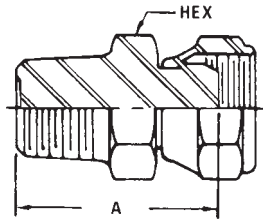


Part Number	NPTF Male	NPSM Female	A	Hex	C
1404-2-2	1/8	1/8	15/16	1/2	3/16
1404-2-4	1/8	1/4	1-1/16	-	-
1404-4-2	1/4	1/8	1-3/16	-	-
1404-4-4	1/4	1/4	1-1/4	5/8	7/32
1404-4-6	1/4	3/8	1-5/16	-	-
1404-6-4	3/8	1/4	1-5/16	-	-
1404-6-6	3/8	3/8	1-5/16	11/16	11/32
1404-6-8	3/8	1/2	1-27/64	-	-
1404-8-4	1/2	1/4	1-9/16	-	-
1404-8-6	1/2	3/8	1-9/16	-	-
1404-8-8	1/2	1/2	1-39/64	7/8	15/32
1404-8-12	1/2	3/4	1-47/64	-	-
1404-12-8	3/4	1/2	-	-	-
1404-12-12	3/4	3/4	1-47/64	1-1/16	41/64
1404-12-16	3/4	1	-	-	-
1404-16-12	1	3/4	-	-	-
1404-16-16	1	1	2	1-3/8	55/64
1404-16-20	1	1-1/4	-	-	-
1404-20-16	1-1/4	1	-	-	-
1404-20-20	1-1/4	1-1/4	2-1/16	1-3/4	1-9/64
1404-20-24	1-1/4	1-1/2	-	-	-
1404-24-20	1-1/2	1-1/4	-	-	-
1404-24-24	1-1/2	1-1/2	2-3/16	2-1/8	1-23/64
1404-32-32	2	2	2-3/8	2-5/8	1-55/64

Hydraulic Adapters & Tube Fittings



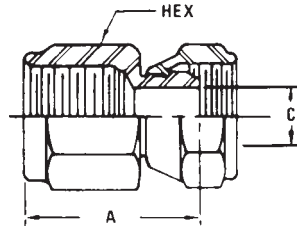
1404-BL MALE ADAPTER UNION - BLANK



Part Number	NPTF Male	NPSM Female	A	Hex
1404-BL-2	1/8	1/8	15/16	1/2
1404-BL-4	1/4	1/4	1-1/4	5/8
1404-BL-6	3/8	3/8	1-5/16	11/16
1404-BL-8	1/2	1/2	1-39/64	7/8

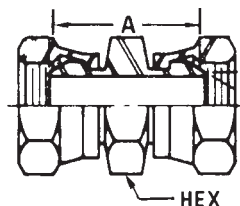
1405 FEMALE ADAPTER UNION

Available in 316 Stainless Steel



Part Number	NPTF Female	NPSM Female	A	Hex	C
1405-2-2	1/8	1/8	3/4	9/16	3/16
1405-2-4	1/8	1/4	-	-	-
1405-4-4	1/4	1/4	1-3/16	11/16	7/32
1405-4-6	1/4	3/8	-	-	-
1405-6-4	3/8	1/4	-	-	-
1405-6-6	3/8	3/8	1-7/32	13/16	11/32
1405-6-8	3/8	1/2	-	-	-
1405-8-4	1/2	1/4	-	-	-
1405-8-6	1/2	3/8	-	-	-
1405-8-8	1/2	1/2	1-13/32	1	15/32
1405-8-12	1/2	3/4	-	-	-
1405-12-8	3/4	1/2	-	-	-
1405-12-12	3/4	3/4	1-9/16	1-1/4	41/64
1405-12-16	3/4	1	-	-	-
1405-16-12	1	3/4	-	-	-
1405-16-16	1	1	1-59/64	1-1/2	55/64
1405-20-20	1-1/4	1-1/4	1-59/64	1-7/8	1-9/64
1405-24-24	1-1/2	1-1/2	1-59/64	2-1/8	1-23/64
1405-32-32	2	2	2	2-5/8	1-55/65

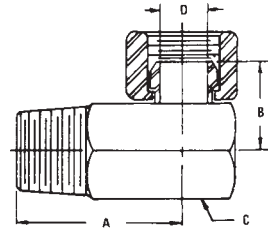
1406 FEMALE SWIVEL UNION



Part Number	NPSM Female	NPSM Female	A	Hex
1406-4-4	1/4	1/4	-	-
1406-6-6	3/8	3/8	-	-
1406-8-8	1/2	1/2	-	-
1406-12-12	3/4	3/4	-	-
1406-16-16	1	1	-	-

1501 MALE TO FEMALE 90°

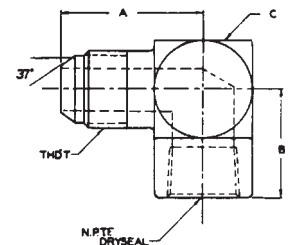
Available in 316 Stainless Steel



Part Number	NPTF Male	NPSM Female	A	B	C	D
1501-2-2	1/8	1/8	1	33/64	9/16	3/16
1501-2-4	1/8	1/4	-	-	-	-
1501-4-2	1/4	1/8	-	-	-	-
1501-4-4	1/4	1/4	1-1/4	3/4	11/16	7/32
1501-4-6	1/4	3/8	-	-	-	-
1501-6-4	3/8	1/4	-	-	-	-
1501-6-6	3/8	3/8	1-1/2	55/64	7/8	11/32
1501-6-8	3/8	1/2	-	-	-	-
1501-8-4	1/2	1/4	-	-	-	-
1501-8-6	1/2	3/8	-	-	-	-
1501-8-8	1/2	1/2	1-3/4	15/16	1	15/32
1501-8-12	1/2	3/4	-	-	-	-
1501-12-6	3/4	3/8	-	-	-	-
1501-12-8	3/4	1/2	-	-	-	-
1501-12-12	3/4	3/4	2	1-11/64	1-1/4	41/64
1501-12-16	3/4	1	-	-	-	-
1501-16-8	1	1/2	-	-	-	-
1501-16-12	1	3/4	-	-	-	-
1501-16-16	1	1	2-5/16	1-5/16	1-1/2	55/64
1501-16-20	1	1-1/4	-	-	-	-
1501-20-12	1-1/4	3/4	-	-	-	-
1501-20-16	1-1/4	1	-	-	-	-
1501-20-20	1-1/4	1-1/4	2-9/16	1-1/2	1-7/8	1-9/64
1501-20-24	1-1/4	1-1/2	-	-	-	-
1501-24-20	1-1/2	1-1/4	-	-	-	-
1501-24-24	1-1/2	1-1/2	2-13/16	1-39/64	2-1/8	1-23/64
1501-32-32	2	2	-	-	-	-

1502 FEMALE 90° ELBOW

Available in 316 Stainless Steel



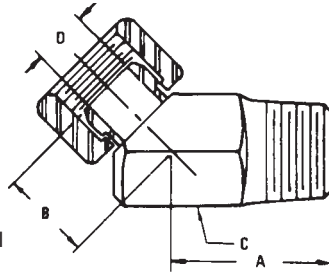
Part Number	NPTF Female	NPSM Female	A	B	C	D
1502-2-2	1/8	1/8	11/16	33/64	9/16	3/16
1502-2-4	1/8	1/4	-	-	-	-
1502-4-2	1/4	1/8	-	-	-	-
1502-4-4	1/4	1/4	15/16	3/4	11/16	7/32
1502-4-6	1/4	3/8	-	-	-	-
1502-4-8	1/4	1/2	-	-	-	-
1502-6-4	3/8	1/4	-	-	-	-
1502-6-6	3/8	3/8	1-1/16	55/64	7/8	11/32
1502-6-8	3/8	1/2	-	-	-	-
1502-8-4	1/2	1/4	-	-	-	-
1502-8-6	1/2	3/8	-	-	-	-
1502-8-8	1/2	1/2	1-1/4	15/16	1	15/32
1502-8-12	1/2	3/4	-	-	-	-
1502-12-8	3/4	1/2	-	-	-	-
1502-12-12	3/4	3/4	1-7/16	1-11/64	1-1/4	41/64
1502-12-16	3/4	1	-	-	-	-
1502-16-12	1	3/4	-	-	-	-
1502-16-16	1	1	1-3/4	1-5/16	1-1/2	55/64
1502-20-16	1-1/4	1	-	-	-	-
1502-20-20	1-1/4	1-1/4	2	1-1/2	1-7/8	1-9/64
1502-24-24	1-1/2	1-1/2	2-1/4	1-39/64	2-1/8	1-23/64
1502-32-32	2	2	-	-	-	-



Hydraulic Adapters & Tube Fittings

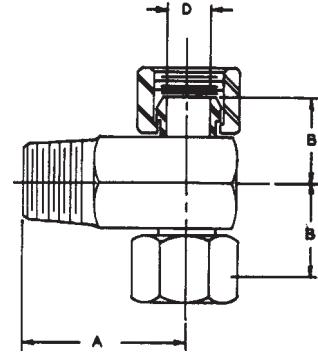
1503 MALE SWIVEL 45° ELBOW

Available in 316 Stainless Steel



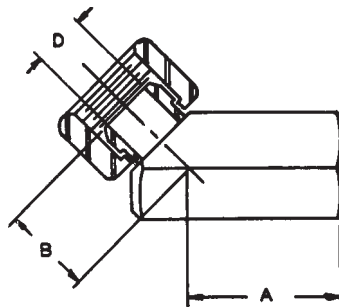
Part Number	NPTF Male	NPSM Female	A	B	C Hex	D
1503-2-2	1/8	1/8	43/64	7/16	9/16	3/16
1503-2-4	1/8	1/4	-	-	-	-
1503-4-2	1/4	1/8	-	-	-	-
1503-4-4	1/4	1/4	29/32	21/32	11/16	7/32
1503-4-6	1/4	3/8	-	-	-	-
1503-4-8	1/4	1/2	-	-	-	-
1503-6-4	3/8	1/4	-	-	-	-
1503-6-6	3/8	3/8	1-1/16	45/64	7/8	11/32
1503-6-8	3/8	1/2	-	-	-	-
1503-8-4	1/2	1/4	-	-	-	-
1503-8-6	1/2	3/8	-	-	-	-
1503-8-8	1/2	1/2	1-3/8	25/32	1	15/32
1503-8-12	1/2	3/4	-	-	-	-
1503-12-6	3/4	3/8	-	-	-	-
1503-12-8	3/4	1/2	-	-	-	-
1503-12-12	3/4	3/4	1-1/2	31/32	1-1/4	41/64
1503-12-16	3/4	1	-	-	-	-
1503-16-12	1	3/4	-	-	-	-
1503-16-16	1	1	1-1/2	1-3/64	1-1/2	55/64
1503-16-20	1	1-1/4	-	-	-	-
1503-20-16	1-1/4	1	-	-	-	-
1503-20-20	1-1/4	1-1/4	1-25/32	1-9/64	1-7/8	1-9/64
1503-24-24	1-1/2	1-1/2	1-31/32	1-7/32	2-1/8	1-23/64
1503-32-32	2	2	-	-	-	-

1601 MALE SWIVEL TEE



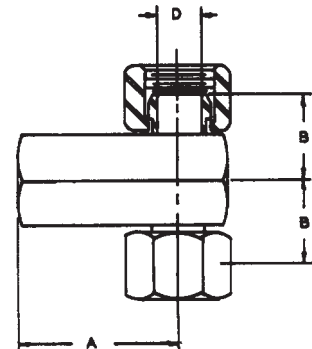
Part Number	NPTF Male	NPSM Female	A	B	C Hex	D
1601-2-2	1/8	1/8	1	7/16	9/16	3/16
1601-4-4	1/4	1/4	1-1/4	3/4	11/16	7/32
1601-6-4-4	3/8	1/4	-	-	-	-
1601-6-6	3/8	3/8	1-1/2	55/64	7/8	11/32
1601-8-4	1/2	1/4	-	-	-	-
1601-8-6-6	1/2	3/8	-	-	-	-
1601-8-8	1/2	1/2	1-3/4	15/16	1	15/32
1601-12-8-8	3/4	1/2	-	-	-	-
1601-12-12	3/4	3/4	2	1-11/64	1-1/4	41/64
1601-12-16-16	3/4	1	-	-	-	-
1601-16-16	1	1	2-5/16	1-5/16	1-1/2	55/64
1601-16-12-12	1	3/4	-	-	-	-
1601-20-20	1-1/4	1-1/4	2-9/16	1-1/2	1-7/8	1-9/64
1601-24-24	1-1/2	1-1/2	-	-	-	-

1504 FEMALE SWIVEL ELBOW 45°



Part Number	NPTF Female	NPSM Female	A	B	C Hex	D
1504-2-2	1/8	1/8	43/64	33/64	9/16	3/16
1504-2-4	1/8	1/4	-	-	-	-
1504-4-2	1/4	1/8	-	-	-	-
1504-4-4	1/4	1/4	29/32	21/32	11/16	7/32
1504-4-6	1/4	3/8	-	-	-	-
1504-6-4	3/8	1/4	-	-	-	-
1504-6-6	3/8	3/8	1-1/16	45/64	7/8	11/32
1504-6-8	3/8	1/2	-	-	-	-
1504-8-6	1/2	3/8	-	-	-	-
1504-8-8	1/2	1/2	1-3/8	25/32	1	15/32
1504-12-8	3/4	1/2	-	-	-	-
1504-12-12	3/4	3/4	1-1/4	31/32	1-1/4	41/64
1504-16-12	1	3/4	-	-	-	-
1504-16-16	1	1	1-1/2	1-3/64	1-1/2	55/64
1504-20-20	1-1/4	1-1/4	1-25/32	1-9/64	1-7/8	1-9/64
1504-24-24	1-1/2	1-1/2	1-31/32	1-7/32	2-1/8	1-23/64

1602 FEMALE SWIVEL TEE

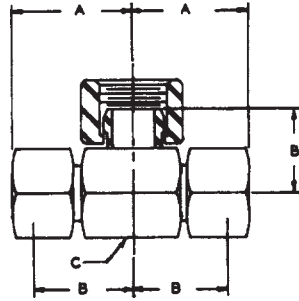


Part Number	NPTF Female	NPSM Female	A	B	C Hex	D
1602-2-2-2	1/8	1/8	-	-	-	-
1602-4-4	1/4	1/4	15/16	3/4	11/16	7/32
1602-6-4-4	3/8	1/4	-	-	-	-
1602-6-6-6	3/8	3/8	1-1/16	55/64	7/8	11/32
1602-8-6-6	1/2	3/8	-	-	-	-
1602-8-8-8	1/2	1/2	1-1/4	15/16	1	15/32
1602-12-8	3/4	1/2	-	-	-	-
1602-12-12	3/4	3/4	1-7/16	1-11/64	1-1/4	41/64
1602-16-12-12	1	3/4	-	-	-	-
1602-16-16	1	1	1-3/4	1-5/16	1-1/2	55/64
1602-20-20-20	1-1/4	1-1/4	-	-	-	-

Hydraulic Adapters & Tube Fittings

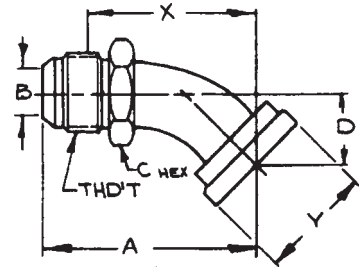


1603 SWIVEL TEE



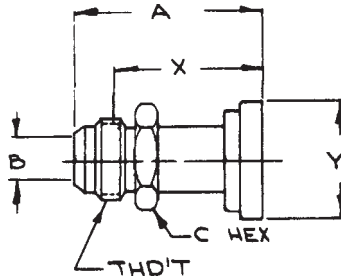
Part Number	NPSM Female	A	B	C Hex	D
1603-2-2	1/8	13/16	33/64	9/16	3/16
1603-4-4	1/4	1-1/8	3/4	11/16	7/32
1603-6-6	3/8	1-7/32	55/64	7/8	11/32
1603-8-8	1/2	1-13/32	15/16	1	15/32
1603-12-12	3/4	1-23/32	1-11/64	1-1/4	41/64
1603-16-16	1	1-7/8	1-5/16	1-1/2	55/64
1603-20-20	1-1/4	2-5/32	1-1/2	1-7/8	1-9/64

1703 45° FLANGE ADAPTER UNION CODE 61



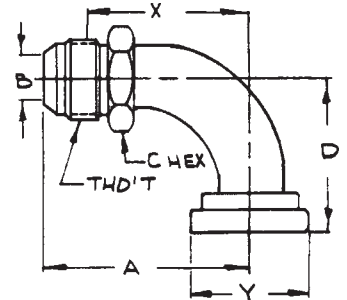
Part Number	Tube O.D.	JIC Male	Flange Size	A	B	C	D	X*	Y
1703-12-12	3/4	1-1/16 - 12	3/4	3-5/64	39/64	1-1/8	1	2-3/8	1-1/2
1703-16-16	1	1-5/16 - 12	1	3-13/64	27/32	1-3/8	1-1/8	2-7/16	1-3/4
1703-20-20	1-1/4	1-5/8 - 12	1-1/4	3-15/32	1-5/4	1-11/16	1-1/8	2-21/32	2
1703-24-24	1-1/2	1-7/8 - 12	1-1/2	3-17/32	1-5/16	2	1-1/8	2-21/32	2-3/8
1703-32-32	2	2-1/2 - 12	2	4-7/64	1-25/32	2-5/8	1-1/4	2-29/32	2-13/16

1700 STRAIGHT FLANGE ADAPTER UNION CODE 61



Part Number	Tube O.D.	JIC Male	Flange Size	A	B	C	X*	Y
1700-8-8	1/2	3/4 - 16	1/2	-	-	-	-	1-3/16
1700-8-12	1/2	3/4 - 16	3/4	-	-	-	-	1-1/2
1700-12-12	3/4	1-1/16 - 12	3/4	2-19/32	39/64	1-1/8	1-7/8	1-1/2
1700-12-16	3/4	1-1/16 - 12	1	-	-	-	-	1-3/4
1700-12-20	3/4	1-1/16 - 12	1-1/4	-	-	-	-	2
1700-16-12	1	1-5/16 - 12	3/4	-	-	-	-	1-1/2
1700-16-16	1	1-5/16 - 12	1	2-41/64	27/32	1-3/8	1-7/8	1-3/4
1700-16-20	1	1-5/16 - 12	1-1/4	-	27/32	1-3/8	1-7/8	2
1700-16-24	1	1-5/16 - 12	1-1/2	-	-	-	-	2-3/8
1700-20-20	1-1/4	1-5/8 - 12	1-1/4	2-11/16	1-5/64	1-11/16	1-7/8	2
1700-20-16	1-1/4	1-5/8 - 12	1	2-3/4	27/32	1-11/16	2-5/16	1-3/4
1700-20-24	1-1/4	1-5/8 - 12	1-1/2	2-7/8	1-5/64	1-11/16	2-1/8	2-3/8
1700-24-20	1-1/2	1-7/8 - 12	1-1/4	-	-	-	-	2
1700-24-24	1-1/2	1-7/8 - 12	1-1/2	3	1-5/16	2	2-1/8	2-3/8
1700-24-32	1-1/2	1-7/8 - 12	2	-	-	-	-	2-13/16
1700-32-32	2	2-1/2 - 12	2	3-5/16	1-25/32	2-5/8	2-1/8	2-13/16

1704 90° FLANGE ADAPTER UNION CODE 61



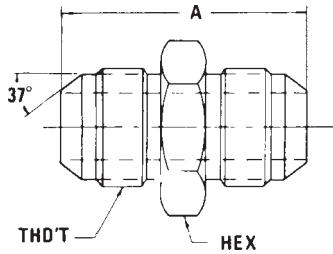
Part Number	Tube O.D.	JIC Male	Flange Size	A	B	C	D	X*	Y
1704-12-12	3/4	1-1/16 - 12	3/4	2-27/32	39/64	1-1/8	2-1/8	2-5/32	1-1/2
1704-16-16	1	1-5/16 - 12	1	3-9/64	27/32	1-3/8	2-3/8	2-3/8	1-3/4
1704-20-20	1-1/4	1-5/8 - 12	1-1/4	3-21/64	1-5/64	1-11/16	2-1/2	2-17/32	2
1704-24-24	1-1/2	1-7/8 - 12	1-1/2	3-43/64	1-5/16	2	2-3/4	2-13/16	2-3/8
1704-32-32	2	2-1/2 - 12	2	4-7/16	1-25/32	2-5/8	3-1/4	3-3/4	2-3/16



Hydraulic Adapters & Tube Fittings

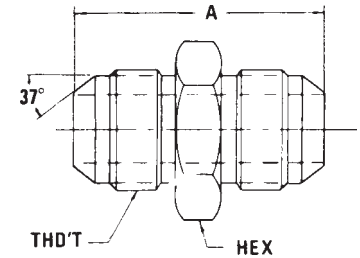
2403 STRAIGHT TUBE UNION

Available in 316 Stainless Steel



2403-LH STRAIGHT TUBE UNION LARGE HEX

Available in 316 Stainless Steel

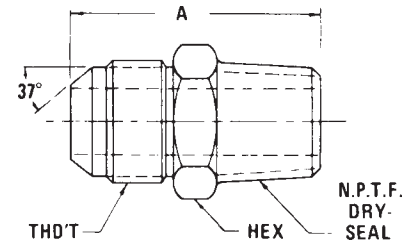


Part Number	Tube O.D.	JIC Male	A	Hex
2403-2-2	1/8	5/16-24	-	-
2403-3-2	3/16	3/8-24	-	-
2403-3-3	3/16	3/8-24	-	-
2403-4-2	1/4	5/16-24	-	-
2403-4-3	1/4	3/8-24	-	-
2403-4-4	1/4	7/16-20	1-1/4	1/2
2403-5-4	5/16	7/16-20	-	-
2403-5-5	5/16	1/2-20	1-1/4	9/16
2403-6-4	3/8	7/16-20	-	-
2403-6-5	3/8	1/2-20	-	-
2403-6-6	3/8	9/16-18	1-3/8	5/8
2403-8-4	1/2	7/16-20	-	-
2403-8-5	1/2	1/2-20	-	-
2403-8-6	1/2	9/16-18	-	-
2403-8-8	1/2	3/4-16	1-9/16	13/16
2403-10-4	5/8	7/16-20	-	-
2403-10-5	5/8	1/2-20	-	-
2403-10-6	5/8	9/16-18	-	-
2403-10-8	5/8	3/4-16	-	-
2403-10-10	5/8	7/8-14	1-53/64	15/16
2403-12-4	3/4	7/16-20	-	-
2403-12-5	3/4	1/2-20	-	-
2403-12-6	3/4	9/16-18	-	-
2403-12-8	3/4	3/4-16	-	-
2403-12-10	3/4	7/8-14	-	-
2403-12-12	3/4	1-1/16-12	2-7/64	1-1/8
2403-14-12	7/8	1-1/16-12	-	-
2403-14-14	7/8	1-3/16-12	2-5/32	1-1/4
2403-16-6	1	3/8	-	-
2403-16-8	1	1/2	-	-
2403-16-10	1	7/8-14	-	-
2403-16-12	1	1-1/16-12	-	-
2403-16-14	1	1-3/16-12	-	-
2403-16-16	1	1-5/16-12	2-3/16	1-3/8
2403-20-12	1-1/4	1-1/16-12	-	-
2403-20-16	1-1/4	1-5/16-12	-	-
2403-20-20	1-1/4	1-5/8-12	2-9/32	1-11/16
2403-24-20	1-1/2	1-5/8-12	-	-
2403-24-24	1-1/2	1-7/8-12	-	-
2403-32-32	2	2-1/2-12	-	-

Part Number	Tube O.D.	JIC Male	A	Hex
2403-LH-4	1/4	7/16-20	1-3/8	11/16
2403-LH-5	5/16	1/2-20	1-3/8	3/4
2403-LH-6	3/8	9/16-18	1-13/32	13/16
2403-LH-8	1/2	3/4-16	1-5/8	1
2403-LH-10	5/8	7/8-14	1-7/8	1-1/8
2403-LH-12	3/4	1-1/16-12	2-1/64	1-3/8
2403-LH-16	1	1-5/16-12	2-1/4	1-5/8
2403-LH-20	1-1/4	1-5/8-12	2-7/16	1-7/8
2403-LH-24	1-1/2	1-7/8-12	2-3/4	2-1/2

2404 STRAIGHT ADAPTER UNION

Available in 316 Stainless Steel

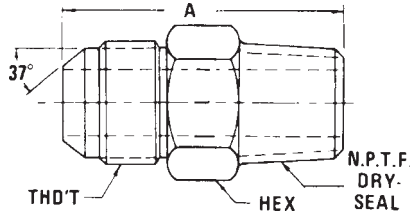


Part Number	Tube O.D.	JIC Male	NPTF Male	A	Hex
2404-2-2	1/8	5/16-24	1/8	-	-
2404-3-2	3/16	3/8-24	1/8	-	-
2404-4-2	1/4	7/16-20	1/8	1-7/64	1/2
2404-4-4	1/4	7/16-20	1/4	-	-
2404-4-6	1/4	7/16-20	3/8	-	-
2404-4-8	1/4	7/16-20	1/2	-	-
2404-5-2	5/16	1/2-20	1/8	1-9/64	9/16
2404-5-4	5/16	1/2-20	1/4	-	-
2404-5-6	5/16	1/2-20	3/8	-	-
2404-6-2	3/8	9/16-18	1/8	-	-
2404-6-4	3/8	9/16-18	1/4	1-3/8	5/8
2404-6-6	3/8	9/16-18	3/8	-	-
2404-6-8	3/8	9/16-18	1/2	-	-
2404-6-12	3/8	9/16-18	3/4	-	-
2404-8-4	3/8	3/4-16	1/4	-	-
2404-8-6	1/2	3/4-16	3/8	1-1/2	13/16
2404-8-8	1/2	3/4-16	1/2	-	-
2404-8-12	1/2	3/4-16	3/4	-	-
2404-8-16	1/2	3/4-16	1	-	-
2404-10-6	5/8	7/8-14	3/8	-	-
2404-10-8	5/8	7/8-14	1/2	1-53/64	15/16
2404-10-12	5/8	7/8-14	3/4	-	-
2404-12-6	3/4	1-1/16-12	3/8	-	-
2404-12-8	3/4	1-1/16-12	1/2	-	-
2404-12-12	3/4	1-1/16-12	3/4	1-61/64	1-1/8
2404-12-16	3/4	1-1/16-12	1	-	-
2404-14-12	7/8	1-3/16-12	3/4	2-1/16	1-1/4
2404-16-12	1	1-5/16-12	3/4	-	-
2404-16-16	1	1-5/16-12	1	2-7/32	1-3/8
2404-16-20	1	1-5/16-12	1-1/4	-	-
2404-20-16	1-1/4	1-5/8-12	1	-	-
2404-20-20	1-1/4	1-5/8-12	1-1/4	2-23/64	1-11/16
2404-20-24	1-1/4	1-5/8-12	1-1/2	-	-
2404-24-20	1-1/2	1-7/8-12	1-1/4	-	-
2404-24-24	1-1/2	1-7/8-12	1-1/2	-	-
2404-32-32	2	2-1/2-12	2	-	-

Hydraulic Adapters & Tube Fittings



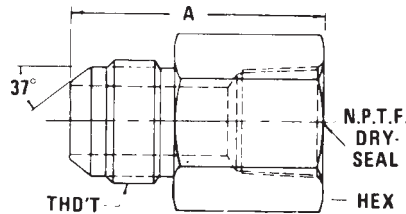
2404-L STRAIGHT ADAPTER MALE



Part Number	Tube O.D.	JIC Male	NPTF Male	A	Hex
2404-L-4-2	1/4	7/16-20	1/8	1-13/16	1/2
2404-L-4-4	1/4	7/16-20	1/4	-	-
2404-L-6-4	3/8	9/16-18	1/4	2-1/4	5/8
2404-L-6-6	3/8	9/16-18	3/8	-	-
2404-L-8-6	1/2	3/4-16	3/8	2-3/4	13/16
2404-L-8-8	1/2	3/4-16	1/2	-	-
2404-L-10-8	5/8	7/8-14	1/2	3-1/8	15/16
2404-L-12-12	3/4	1-1/16-12	3/4	3-1/2	1-1/8
2404-L-16-16	1	1-5/16-12	1	4	1-3/8
2404-L-20-20	1-1/4	1-5/8-12	1-1/4	4-1/2	1-11/16

2405 STRAIGHT ADAPTER FEMALE

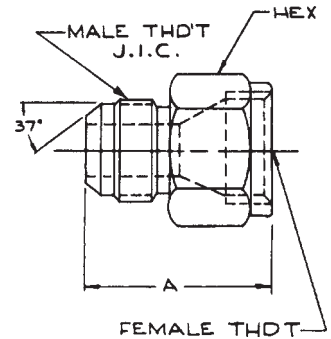
Available in 316 Stainless Steel



Part Number	Tube O.D.	JIC Male	NPTF Female	A	Hex
2405-3-2	3/16	3/8-24	1/8	-	-
2405-3-4	3/16	3/8-24	1/4	-	-
2405-4-2	1/4	7/16-20	1/8	1-5/32	9/16
2405-4-4	1/4	7/16-20	1/4	-	-
2405-4-6	1/4	7/16-20	3/8	-	-
2405-5-2	5/16	1/2-20	1/8	1-3/16	9/16
2405-5-4	5/16	1/2-20	1/4	-	-
2405-6-4	5/16	1/2-20	3/8	1-5/16	3/4
2405-6-6	3/8	9/16-18	3/8	-	-
2405-6-8	3/8	9/16-18	1/2	-	-
2405-8-6	1/2	3/4-16	3/8	1-17/32	7/8
2405-8-8	1/2	3/4-16	1/2	-	-
2405-8-12	1/2	3/4-16	3/4	-	-
2405-10-6	5/8	7/8-14	3/8	-	-
2405-10-8	5/8	7/8-14	1/2	1-13/16	1-1/8
2405-10-12	5/8	7/8-14	3/4	-	-
2405-12-8	3/4	1-1/16-12	1/2	-	-
2405-12-12	3/4	1-1/16-12	3/4	2	1-3/8
2405-12-16	3/4	1-1/16-12	1	-	-
2405-14-12	7/8	1-3/16-12	3/4	2	1-3/8
2405-14-16	7/8	1-3/16-12	1	-	-
2405-16-12	1	1-5/16-12	3/4	-	-
2405-16-16	1	1-5/16-12	1	2-7/32	1-5/8
2405-20-20	1-1/4	1-5/8-12	1-1/4	2-15/32	2
2405-24-24	1-1/2	1-7/8-12	1-1/2	-	-
2405-32-32	2	2-1/2-12	2	-	-

2406 TUBE REDUCER

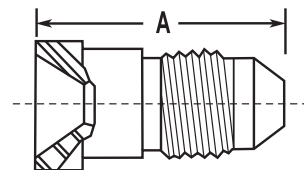
Available in 316 Stainless Steel



Part Number	Tube O.D.	JIC Female	JIC Male	Tube O.D.	A	Hex
2406-4-6	1/4	7/16-20	9/16-18	-	-	-
2406-6-4	3/8	9/16-18	7/16-20	1/4	1-3/16	11/16
2406-6-8	3/8	9/16-18	3/4-16	-	-	-
2406-8-4	1/2	3/4-16	7/16-20	-	-	-
2406-8-6	1/2	3/4-16	9/16-18	3/8	1-21/64	7/8
2406-8-10	1/2	3/4-16	7/8-14	-	-	-
2406-8-12	1/2	3/4-16	1 1/16-12	-	-	-
2406-10-4	5/8	7/8-14	7/16-20	-	-	-
2406-10-6	5/8	7/8-14	9/16-18	-	-	-
2406-10-8	5/8	7/8-14	3/4-16	1/2	1-13/32	1
2406-12-4	3/4	1-1/16-12	7/16-20	-	-	-
2406-12-6	3/4	1-1/16-12	9/16-18	-	-	-
2406-12-8	3/4	1-1/16-12	3/4-16	-	-	-
2406-12-10	3/4	1-1/16-12	7/8-14	5/8	1-41/64	1-1/4
2406-12-16	3/4	1-1/16-12	1-5/16-12	-	-	-
2406-14-6	7/8	1-3/16-12	9/16-18	-	-	-
2406-14-8	7/8	1-3/16-12	3/4-16	-	-	-
2406-14-10	7/8	1-3/16-12	7/8-14	-	-	-
2406-14-12	7/8	1-3/16-12	1-1/16-12	3/4	1-29/32	1-3/8
2406-16-8	1	1-5/16-12	3/4-16	-	-	-
2406-16-10	1	1-5/16-12	7/8-14	-	-	-
2406-16-12	1	1-5/16-12	1-1/16-12	-	-	-
2406-16-14	1	1-5/16-12	1-3/16-12	7/8	1-59/64	1-1/2
2406-16-20	1	1-5/16-12	1-5/8-12	-	-	-
2406-20-12	1-1/4	1-5/8-12	1-1/16-12	-	-	-
2406-20-16	1-1/4	1-5/8-12	1-5/16-12	1	2-5/32	2
2406-24-20	1-1/2	1-7/8-12	1-5/8-12	1-1/4	2-5/32	2-1/4
2406-32-24	2	2-1/2-12	1-7/8-12	1-1/2	2-21/32	2-7/8

2407 JIC REDUCER LESS NUT

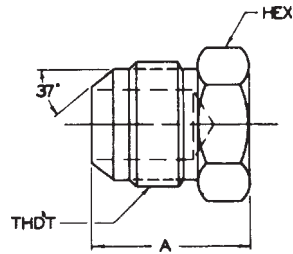
Available in 316 Stainless Steel



Part Number	Tube O.D.	JIC Female	JIC Male	A
2407-6-4	3/8	9/16-18	7/16-20	-
2407-8-4	1/2	3/4-16	7/16-20	-
2407-8-6	1/2	3/4-16	9/16-18	-
2407-10-4	5/8	7/8-14	7/16-20	-
2407-10-6	5/8	7/8-14	9/16-18	-
2407-12-4	3/4	1-1/16-12	7/16-20	-
2407-12-6	3/4	1-1/16-12	9/16-18	-
2407-12-8	3/4	1-1/16-12	3/4-16	-
2407-16-12	1	1-5/16-12	1-1/16-12	-
2407-20-12	1-1/4	1-5/8-12	1-1/16-12	-
2407-20-16	1-1/4	1-5/8-12	1-5/16-12	-
2407-24-20	1-1/2	1-7/8-12	1-5/8-12	-



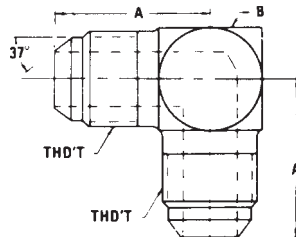
Hydraulic Adapters & Tube Fittings



2408 PLUG

Available in 316 Stainless Steel

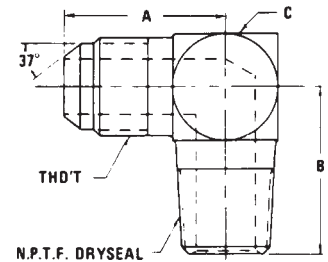
Part Number	Tube O.D.	JIC Male	A	Hex
2408-3	3/16	3/8-24	-	-
2408-4	1/4	7/16-20	47/64	1/2
2408-5	5/16	1/2-20	49/64	9/16
2408-6	3/8	9/16-18	13/16	5/8
2408-8	1/2	3/4-16	15/16	13/16
2408-10	5/8	7/8-14	1-7/64	15/16
2408-12	3/4	1-1/16-12	1-13/64	1-1/8
2408-14	7/8	1-3/16-12	1-15/4	1-1/4
2408-16	1	1-5/16-12	1-9/16	1-3/8
2408-20	1-1/4	1-5/8-12	1-23/64	1-11/16
2408-24	1-1/2	1-7/8-12	1-31/64	2
2408-32	2	2-1/2-12	1-47/64	2-5/8



2500 90° TUBE ELBOW

Available in 316 Stainless Steel

Part Number	Tube O.D.	JIC Male	JIC Male	A	B Min.
2500-4	1/4	7/16-20	7/16-20	57/64	7/16
2500-5	5/16	1/2-20	1/2-20	61/64	1/2
2500-6-4	3/8	9/16-18	7/16-20	-	-
2500-6	3/8	9/16-18	9/16-18	1-1/16	9/16
2500-8-6	1/2	3/4-16	9/16-18	-	-
2500-8	1/2	3/4-16	3/4-16	1-1/4	13/16
2500-10-8	5/8	7/8-14	3/4-16	-	-
2500-10	5/8	7/8-14	7/8-14	1-29/64	7/8
2500-12-10	3/4	1-1/16-12	7/8-14	-	-
2500-12	3/4	1-1/16-12	1-1/16-12	1-21/32	1-1/16
2500-14	7/8	1-3/16-12	1-3/16-12	1-23/32	1-3/16
2500-16	1	1-5/16-12	1-5/16-12	1-13/16	1-5/16
2500-20	1-1/4	1-5/8-12	1-5/8-12	2-1/16	1-5/8
2500-24	1-1/2	1-7/8-12	1-7/8-12	2-21/64	1-7/8
2500-32	2	2-1/2-12	2-1/2-12	3-1/16	2-1/2



2501 90° MALE ELBOW

Available in 316 Stainless Steel

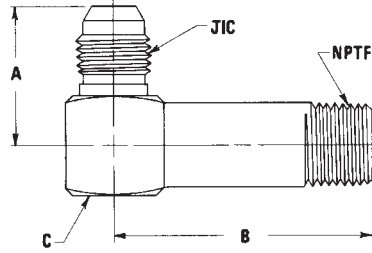
Part Number	Tube O.D.	JIC Male	NPTF Male	A	B	C Min.
2501-2-2	1/8	5/16-24	1/8	-	-	-
2501-3-2	3/16	3/8-24	1/8	-	-	-
2501-4-2	1/4	7/16-20	1/8	57/64	25/32	7/16
2501-4-4	1/4	7/16-20	1/4	-	-	-
2501-4-6	1/4	7/16-20	3/8	-	-	-
2501-4-8	1/4	7/16-20	1/2	-	-	-
2501-5-2	5/16	1/2-20	1/8	61/64	25/32	1/2
2501-5-4	5/16	1/2-20	1/4	-	-	-
2501-5-6	5/16	1/2-20	3/8	-	-	-
2501-6-2	3/8	9/16-18	1/8	-	-	-
2501-6-4	3/8	9/16-18	1/4	1-1/16	1-3/32	9/16
2501-6-6	3/8	9/16-18	3/8	-	-	-
2501-6-8	3/8	9/16-18	1/2	-	-	-
2501-6-12	3/8	9/16-18	3/4	-	-	-
2501-8-4	1/2	3/4-16	1/4	-	-	-
2501-8-6	1/2	3/4-16	3/8	1-1/4	1-7/32	3/4
2501-8-8	1/2	3/4-16	1/2	-	-	-
2501-8-12	1/2	3/4-16	3/4	-	-	-
2501-10-6	5/8	7/8-14	3/8	-	-	-
2501-10-8	5/8	7/8-14	1/2	1-29/64	1-15/32	7/8
2501-10-12	5/8	7/8-14	3/4	-	-	-
2501-12-6	3/4	1-1/16-12	3/8	-	-	-
2501-12-8	3/4	1-1/16-12	1/2	-	-	-
2501-12-12	3/4	1-1/16-12	3/4	1-21/32	1-19/32	1-1/16
2501-12-16	3/4	1-1/16-12	1	-	-	-
2501-14-12	7/8	1-3/16-12	3/4	1-23/32	1-11/16	1-3/16
2501-16-12	1	1-5/16-12	3/4	-	-	-
2501-16-16	1	1-5/16-12	1	1-13/16	1-31/32	1-5/16
2501-16-20	1	1-5/16-12	1-1/4	-	-	-
2501-20-16	1-1/4	1-5/8-12	1	-	-	-
2501-20-20	1-1/4	1-5/8-12	1-1/4	2-1/16	2-3/8	1-5/8
2501-20-24	1-1/4	1-5/8-12	1-1/2	-	-	-
2501-24-20	1-1/2	1-7/8-12	1-1/4	-	-	-
2501-24-24	1-1/2	1-7/8-12	1-1/2	2-21/64	2-5/8	1-7/8
2501-32-32	2	2-1/2-12	2	3-1/16	3	2-1/2

Hydraulic Adapters & Tube Fittings



2501-L 90° MALE ELBOW LONG

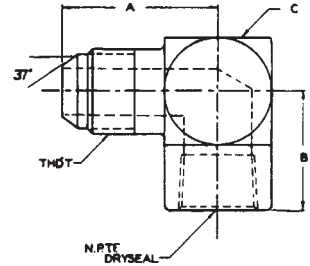
Available in 316
Stainless Steel



Part Number	Tube O.D.	JIC Male	NPTF Male	A	B	C
2501-L-4-2	1/4	7/16-20	1/8	-	-	-
2501-L-4-4	1/4	7/16-20	1/4	-	-	-
2501-L-5-2	5/16	1/2-20	1/8	-	-	-
2501-L-5-4	5/16	1/2-20	1/4	-	-	-
2501-L-6-4	3/8	9/16-18	1/4	-	-	-
2501-L-6-6	3/8	9/16-18	3/8	-	-	-
2501-L-8-6	1/2	3/4-16	3/8	-	-	-
2501-L-8-8	1/2	3/4-16	1/2	-	-	-
2501-L-8-12	1/2	3/4-16	3/4	-	-	-
2501-L-10-8	5/8	7/8-14	1/2	-	-	-
2501-L-12-12	3/4	1-1/16-12	3/4	-	-	-
2501-L-14-12	7/8	1-3/16-12	3/4	-	-	-
2501-L-16-16	1	1-5/16-12	1	-	-	-
2501-L-20-20	1-1/4	1-5/8-12	1-1/4	-	-	-
2501-L-24-24	1-1/2	1-7/8-12	1-1/2	-	-	-

2502 90° FEMALE ELBOW

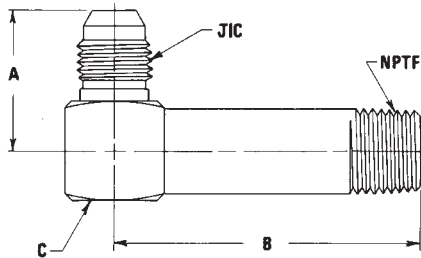
Available in 316 Stainless Steel



Part Number	Tube O.D.	JIC Male	NPTF Female	A	B	C Min.
2502-4-2	1/4	7/16-20	1/8	1-1/16	41/64	9/16
2502-4-4	1/4	7/16-20	1/4	-	-	-
2502-5-2	5/16	1/2-20	1/8	1-1/16	41/64	9/16
2502-5-4	5/16	1/2-20	1/4	-	-	-
2502-6-2	3/8	9/16-18	1/8	-	-	-
2502-6-4	3/8	9/16-18	1/4	1-7/32	57/64	3/4
2502-6-6	3/8	9/16-18	3/8	-	-	-
2502-6-8	3/8	9/16-18	1/2	-	-	-
2502-8-4	1/2	3/4-16	1/4	-	-	-
2502-8-6	1/2	3/4-16	3/8	1-13/32	31/32	7/8
2502-8-8	1/2	3/4-16	1/2	-	-	-
2502-10-8	5/8	7/8-14	1/2	1-5/8	1-15/64	1-1/16
2502-12-8	3/4	1-1/16-12	1/2	-	-	-
2502-12-12	3/4	1-1/16-12	3/4	1-7/8	1-11/32	1-5/16
2502-14-12	7/8	1-3/16-12	3/4	1-27/32	1-11/32	1-5/16
2502-16-16	1	1-5/16-12	1	2-5/32	1-5/8	1-5/8
2502-20-20	1-1/4	1-5/8-12	1-1/4	2-5/16	1-11/16	1-7/8
2502-24-24	1-1/2	1-7/8-12	1-1/2	2-7/8	2-1/16	2-9/16
2502-32-32	2	2-1/2-12	2	3-9/32	2-3/8	2-13/16

2501-LL 90° MALE ELBOW EXTRA LONG

Available in 316
Stainless Steel



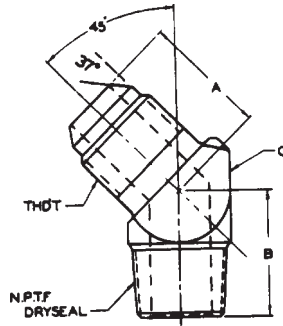
Part Number	Tube O.D.	JIC Male	NPTF Male	A	B	C
2501-LL-4-2	1/4	7/16-20	1/8	-	-	-
2501-LL-4-4	1/4	7/16-20	1/4	-	-	-
2501-LL-5-2	5/16	1/2-20	1/8	-	-	-
2501-LL-5-4	5/16	1/2-20	1/4	-	-	-
2501-LL-6-4	3/8	9/16-18	1/4	-	-	-
2501-LL-6-6	3/8	9/16-18	3/8	-	-	-
2501-LL-6-8	3/8	9/16-18	1/2	-	-	-
2501-LL-8-6	1/2	3/4-16	3/8	-	-	-
2501-LL-8-8	1/2	3/4-16	1/2	-	-	-
2501-LL-10-8	5/8	7/8-14	1/2	-	-	-
2501-LL-12-8	3/4	1-1/16-12	3/4	-	-	-
2501-LL-12-12	3/4	1-1/16-12	3/4	-	-	-
2501-LL-14-12	7/8	1-3/16-12	3/4	-	-	-
2501-LL-16-16	1	1-5/16-12	1	-	-	-
2501-LL-20-20	1-1/4	1-5/8-12	1-1/4	-	-	-
2501-LL-24-24	1-1/2	1-7/8-12	1-1/2	-	-	-



Hydraulic Adapters & Tube Fittings

2503 45° ELBOW MALE

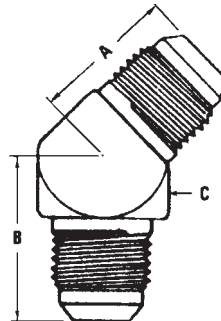
Available in 316 Stainless Steel



Part Number	Tube O.D.	JIC Male	NPTF Male	A	B	C Min.
2503-2-2	1/8	5/16-24	1/8	-	-	-
2503-3-2	3/16	3/8-24	1/8	-	-	-
2503-4-2	1/4	7/16-20	1/8	45/64	5/8	7/16
2503-4-4	1/4	7/16-20	1/4	-	-	-
2503-4-6	1/4	7/16-20	3/8	-	-	-
2503-5-2	5/16	1/2-20	1/8	3/4	5/8	1/2
2503-5-4	5/16	1/2-20	1/4	-	-	-
2503-6-2	3/8	9/16-18	1/8	-	-	-
2503-6-4	3/8	9/16-18	1/4	13/16	27/32	9/16
2503-6-6	3/8	9/16-18	3/8	-	-	-
2503-6-8	3/8	9/16-18	1/2	-	-	-
2503-8-4	1/2	3/4-16	1/4	-	-	-
2503-8-6	1/2	3/4-16	3/8	1-31/32	15/16	3/4
2503-8-8	1/2	3/4-16	1/2	-	-	-
2503-8-12	1/2	3/4-16	3/4	-	-	-
2503-10-6	5/8	7/8-14	3/8	-	-	-
2503-10-8	5/8	7/8-14	1/2	1-3/32	1-5/32	7/8
2503-10-12	5/8	7/8-14	3/4	-	-	-
2503-12-8	3/4	1-1/16-12	1/2	-	-	-
2503-12-12	3/4	1-1/16-12	3/4	1-17/64	1-3/16	1-1/16
2503-12-16	3/4	1-1/16-12	1	-	-	-
2503-14-12	7/8	1-3/16-12	3/4	1-3/8	1-1/4	1-3/16
2503-16-12	1	1-5/16-12	3/4	-	-	-
2503-16-16	1	1-5/16-12	1	1-29/64	1-15/32	1-5/16
2503-16-20	1	1-5/16-12	1-1/4	-	-	-
2503-20-16	1-1/4	1-5/8-12	1	-	-	-
2503-20-20	1-1/4	1-5/8-12	1-1/4	1-37/64	1-21/32	1-5/8
2503-24-24	1-1/2	1-7/8-12	1-1/2	1-49/64	1-3/4	1-7/8
2503-32-32	2	2-1/2-12	2	2-13/64	2-3/32	2-1/2

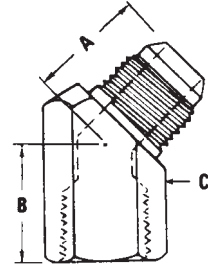
2504 45° TUBE ELBOW

Available in 316 Stainless Steel



Part Number	Tube O.D.	JIC Male	JIC Male	A	B	C
2504-4-4	1/4	7/16-20	7/16-20	-	-	-
2504-6-6	3/8	9/16-18	9/16-18	-	-	-
2504-8-8	1/2	3/4-16	3/4-16	-	-	-
2504-10-10	5/8	7/8-14	7/8-14	-	-	-
2504-12-12	3/4	1-1/16-12	1-1/16-12	-	-	-
2504-16-16	1	1-5/16-12	1-5/16-12	-	-	-

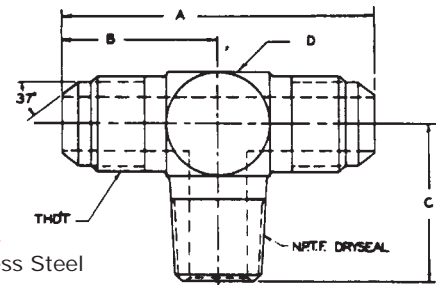
2505 45° TUBE ELBOW X NPTF FEMALE



Part Number	Tube O.D.	JIC Male	NPTF Female	A	B	C
2505-6-4	3/8	9/16-18	1/4	-	-	-
2505-8-6	1/2	3/4-16	3/8	-	-	-
2505-10-8	5/8	7/8-14	1/2	-	-	-
2505-12-12	3/4	1-1/16-12	3/4	-	-	-
2505-16-16	1	1-5/16-12	1	-	-	-

2601 SIDE TEE MALE

Available in 316 Stainless Steel



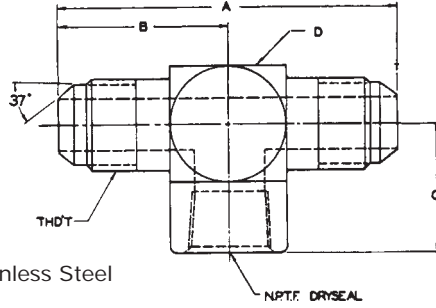
Part Number	Tube O.D.	JIC Male	NPTF Male	A	B	C	D Min.
2601-4-4-2	1/4	7/16-20	1/8	1-23/32	55/64	3/4	7/16
2601-4-4-4	1/4	7/16-20	1/4	-	-	-	-
2601-5-5-2	5/16	1/2-20	1/8	1-27/32	59/64	3/4	1/2
2601-5-5-4	5/16	1/2-20	1/4	-	-	-	-
2601-6-6-4	3/8	9/16-18	1/4	2-1/16	1-1/32	1-1/16	9/16
2601-6-6-6	3/8	9/16-18	3/8	-	-	-	-
2601-6-6-8	3/8	9/16-18	1/2	-	-	-	-
2601-8-8-6	1/2	3/4-16	3/8	2-7/16	1-7/32	1-3/16	3/4
2601-8-8-8	1/2	3/4-16	1/2	-	-	-	-
2601-10-10-8	5/8	7/8-14	1/2	2-27/32	1-27/64	1-7/16	7/8
2601-12-12-12	3/4	1-1/16-12	3/4	3-1/4	1-5/8	1-9/16	1-1/16
2601-14-14-12	7/8	1-3/16-12	3/4	3-7/16	1-23/32	1-5/8	1-3/16
2601-16-16-12	1	1-5/16-12	3/4	-	-	-	-
2601-16-16-16	1	1-5/16-12	1	3-9/16	1-25/32	1-15/16	1-5/16
2601-20-20-20	1-1/4	1-5/8-12	1-1/4	4-1/16	2-1/32	2-11/32	1-5/8
2601-24-24-24	1-1/2	1-7/8-12	1-1/2	4-19/32	2-19/64	2-5/8	1-7/8
2601-32-32-32	2	2-1/2-12	2	6-1/16	3-1/32	2-21/32	2-1/2

Hydraulic Adapters & Tube Fittings



2602 SIDE TEE FEMALE

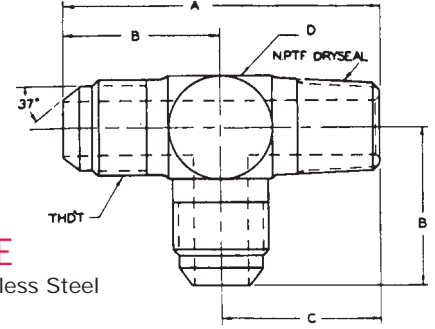
Available in 316 Stainless Steel



Part Number	Tube O.D.	JIC Male	NPTF Female	A	B	C	D Min.
2602-4-4-2	1/4	7/16-20	1/8	2-1/8	1-1/16	41/64	9/16
2602-5-5-2	5/16	1/2-20	1/8	2-1/8	1-1/16	41/64	9/16
2602-6-6-4	3/8	9/16-18	1/4	2-7/16	1-7/32	57/64	3/4
2602-6-6-6	3/8	9/16-18	3/8	-	-	-	-
2602-8-8-4	1/2	3/4-16	1/4	-	-	-	-
2602-8-8-6	1/2	3/4-16	3/8	2-13/16	1-13/32	31/32	7/8
2602-8-8-8	1/2	3/4-16	1/2	-	-	-	-
2602-10-10-8	5/8	7/8-14	1/2	3-1/4	1-5/8	1-15/64	1-1/16
2602-12-12-12	3/4	1-1/16-12	3/4	3-3/4	1-7/8	1-11/32	1-5/16
2602-14-14-12	7/8	1-3/16-12	3/4	-	-	-	-
2602-16-16-16	1	1-5/16-12	1	4-5/16	2-5/32	1-5/8	1-5/8
2602-20-20-20	1-1/4	1-5/8-12	1-1/4	4-5/8	2-5/16	1-11/16	1-7/8
2602-24-24-24	1-1/2	1-7/8-12	1-1/2	5-3/4	2-7/8	2-1/16	2-9/16
2602-32-32-32	2	2-1/2-12	2	6-9/16	3-9/32	2-3/8	2-13/16

2605 RUN TEE MALE

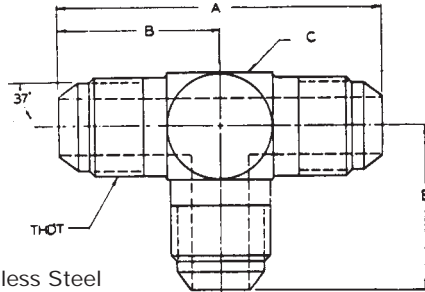
Available in 316 Stainless Steel



Part Number	Tube O.D.	JIC Male	NPTF Male	JIC Male	A	B	C	D Min.
2605-4-2-4	1/4	7/16 - 20	1/8	-	1-39/64	55/64	3/4	7/16
2605-4-4-4	1/4	7/16 - 20	1/4	-	-	-	-	-
2605-5-2-5	5/16	1/2 - 20	1/8	-	1-43/64	59/64	3/4	1/2
2605-6-2-6	3/8	9/16 - 18	1/8	-	-	-	-	-
2605-6-4-6	3/8	9/16 - 18	1/4	-	2-3/32	1-1/32	1-1/16	9/16
2605-6-6-4	3/8	9/16 - 18	3/8	7/16-20	-	-	-	-
2605-6-6-6	3/8	9/16 - 18	3/8	-	-	-	-	-
2605-8-6-8	1/2	3/4 - 16	3/8	-	2-13/32	1-7/32	1-3/16	3/4
2605-8-8-8	1/2	3/4 - 16	1/2	-	-	-	-	-
2605-10-8-10	5/8	7/8 - 14	1/2	-	2-55/64	1-27/64	1-7/16	7/8
2605-12-12-12	3/4	1-1/16 - 12	3/4	-	3-3/16	1-5/8	1-9/16	1-1/16
2605-14-12-14	7/8	1-3/16 - 12	3/4	-	-	-	-	-
2605-16-16-16	1	1-5/16 - 12	1	-	3-23/32	1-25/32	1-15/16	1-5/16
2605-20-20-20	1-1/4	1-5/8 - 12	1-1/4	-	4-3/8	2-1/32	2-11/32	1-5/8
2605-24-24-24	1-1/2	1-7/8 - 12	1-1/2	-	4-59/64	2-19/64	2-5/8	1-7/8
2605-32-32-32	2	2-1/2 - 12	2	-	6	3-1/32	2-31/32	2-1/2

2603 TUBE TEE

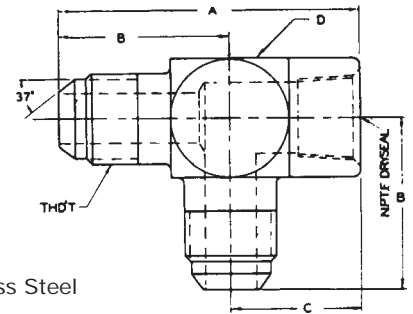
Available in 316 Stainless Steel



Part Number	Tube O.D.	JIC Male	JIC Male	A	B	C Min.
2603-4	1/4	7/16-20	7/16-20	1-23/32	55/64	7/16
2603-4-4-6	1/4	7/16-20	9/16-18	-	-	-
2603-5	5/16	1/2-20	1/2-20	1-27/32	59/64	1/2
2603-6	3/8	9/16-18	9/16-18	2-1/16	1-1/32	9/16
2603-6-6-8	3/8	9/16-18	3/4-16	-	-	-
2603-8	1/2	3/4-16	3/4-16	2-7/16	1-7/32	3/4
2603-10-8-8	5/8	7/8-14	3/4-16	3/4-16	-	-
2603-10-10-8	5/8	7/8-14	7/8-14	3/4-16	-	-
2603-10	5/8	7/8-14	7/8-14	2-27/32	1-27/64	7/8
2603-12	3/4	1-1/16-12	1-1/16-12	3-1/4	1-5/8	1-1/16
2603-14	7/8	1-3/16-12	1-3/16-12	3-7/16	1-23/32	1-3/16
2603-16	1	1-5/16-12	1-5/16-12	3-9/16	1-25/32	1-5/16
2603-20	1-1/4	1-5/8-12	1-5/8-12	4-1/16	2-1/32	1-5/8
2603-24	1-1/2	1-7/8-12	1-7/8-12	4-19/32	2-19/64	1-7/8
2603-32	2	2-1/2-12	2-1/2-12	6-1/16	3-1/32	2-1/2

2606 RUN TEE FEMALE

Available in 316 Stainless Steel

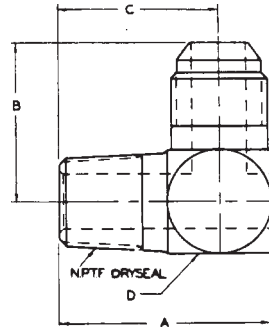


Part Number	Tube O.D.	JIC Male	NPTF Female	A	B	C	D Min.
2606-4-2-4	1/4	7/16 - 20	1/8	1-45/64	1-1/16	41/64	9/16
2606-5-2-5	5/16	1/2 - 20	1/8	1-45/64	1-1/16	41/64	9/16
2606-6-4-6	3/8	9/16 - 18	1/4	2-7/64	1-7/32	57/64	3/4
2606-8-6-8	1/2	3/4 - 16	3/8	2-3/8	1-13/32	31/32	7/8
2606-8-8-8	1/2	3/4 - 16	1/2	-	-	-	-
2606-10-8-10	5/8	7/8 - 14	1/2	2-55/64	1-5/8	1-15/64	1-1/16
2606-12-12-12	3/4	1-1/16 - 12	3/4	3-7/32	1-7/8	1-11/32	1-5/16
2606-14-12-14	7/8	1-3/16 - 12	3/4	3-3/16	1-27/32	11/32	1-5/16
2606-16-16-16	1	1-5/16 - 12	1	3-25/32	2-5/32	1-5/8	1-5/8
2606-20-20-20	1-1/4	1-5/8 - 12	1-1/4	4	2-5/16	1-11/16	1-7/8
2606-24-24-24	1-1/2	1-7/8 - 12	1-1/2	4-15/16	2-7/8	2-1/16	2-9/16



Hydraulic Adapters & Tube Fittings

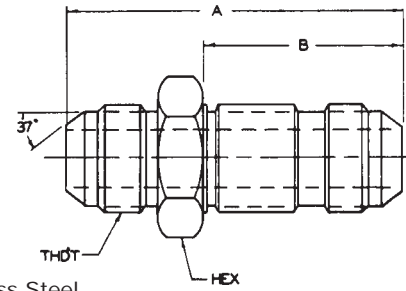
2613 NPTF MALE X NPTF FEMALE X JIC MALE



Part Number	Tube O.D.	NPTF Male	NPTF Female	JIC Male	A	B	C	D
2613-2-2-4	1/4	1/8	1/8	7/16-20	-	-	-	-
2613-4-4-6	3/8	1/4	1/4	9/16-18	-	-	-	-
2613-6-6-6	3/8	3/8	3/8	9/16-18	-	-	-	-
2613-6-6-8	1/2	3/8	3/8	3/4-16	-	-	-	-
2613-8-8-10	5/8	1/2	1/2	7/8-14	-	-	-	-
2613-12-12-12	3/4	3/4	3/4	1-1/16-12	-	-	-	-

2700 BULKHEAD TUBE UNION

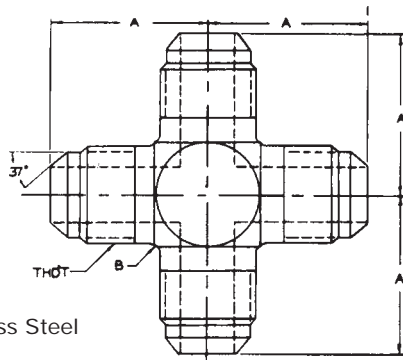
Available in 316 Stainless Steel



Part Number	Tube O.D.	JIC Male	A	B	Hex
2700-3	3/16	3/8-24	-	-	-
2700-4	1/4	7/16-20	2-3/64	1-13/64	11/16
2700-5	5/16	1/2-20	2-3/64	1-13/64	3/4
2700-6	3/8	9/16-18	2-7/32	1-9/32	13/16
2700-8	1/2	3/4-16	2-29/64	1-7/16	1
2700-10	5/8	7/8-14	2-23/32	1-37/64	1-1/8
2700-12	3/4	1-1/16-12	3-1/32	1-3/4	1-3/8
2700-14	7/8	1-3/16-12	3-1/16	1-3/4	1-1/2
2700-16	1	1-5/16-12	3-5/64	1-3/4	1-5/8
2700-20	1-1/4	1-5/8-12	3-5/32	1-51/64	1-7/8
2700-24	1-1/2	1-7/8-12	3-5/16	1-13/16	2-1/8

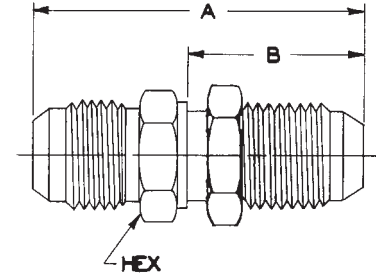
2650 TUBE CROSS

Available in 316 Stainless Steel



Part Number	Tube O.D.	JIC Male	A	B
2650-4	1/4	7/16-20	55/64	7/16
2650-5	5/16	1/2-20	59/64	1/2
2650-6	3/8	9/16-18	1-1/32	9/16
2650-8	1/2	3/4-16	1-7/32	3/4
2650-10	5/8	7/8-14	1-27/64	7/8
2650-12	3/4	1-1/16-12	1-5/8	1-1/16
2650-14	7/8	1-3/16-12	1-23/32	1-3/16
2650-16	1	1-5/16-12	1-25/32	1-5/16
2650-20	1-1/4	1-5/8-12	2-1/32	1-5/8
2650-24	1-1/2	1-7/8-12	2-19/64	1-7/8

2700-LN BULKHEAD TUBE UNION LOCK NUT



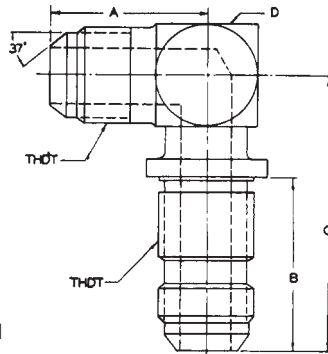
Part Number	Tube O.D.	JIC Male	A	B	Hex
2700-4-LN	1/4	7/16-20	-	-	-
2700-5-LN	5/16	1/2-20	-	-	-
2700-6-LN	3/8	9/16-18	-	-	-
2700-8-LN	1/2	3/4-16	-	-	-
2700-10-LN	5/8	7/8-14	-	-	-
2700-12-LN	3/4	1-1/16-12	-	-	-
2700-14-LN	7/8	1-3/16-12	-	-	-
2700-16-LN	1	1-5/16-12	-	-	-
2700-20-LN	1-1/4	1-5/8-12	-	-	-
2700-24-LN	1-1/2	1-7/8-12	-	-	-

Hydraulic Adapters & Tube Fittings



2701 BULKHEAD TUBE ELBOW 90°

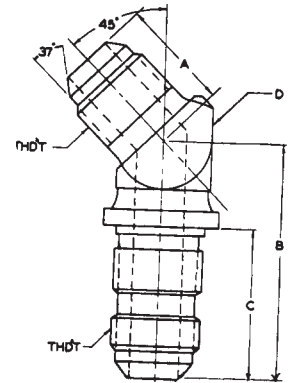
Available in 316 Stainless Steel



Part Number	Tube O.D.	JIC Male	A	B	C	D Min.
2701-4	1/4	7/16-20	61/64	1-7/64	1-37/64	7/16
2701-5	5/16	1/2-20	1-1/64	1-7/64	1-39/64	1/2
2701-6	3/8	9/16-18	1-5/64	1-3/16	1-51/64	9/16
2701-8	1/2	3/4-16	1-11/32	1-3/8	2-3/32	3/4
2701-10	5/8	7/8-14	1-35/64	1-33/64	2-3/8	7/8
2701-12	3/4	1-1/16-12	1-49/64	1-11/16	2-21/32	1-1/16
2701-16	1	1-5/16-12	1-59/64	1-11/64	2-25/32	1-5/16
2701-20	1-1/4	1-5/8-12	2-5/32	1-47/64	3-7/64	1-5/8

2702 BULKHEAD 45° ELBOW

Available in 316 Stainless Steel



Part Number	Tube O.D.	JIC Male	A	B	C	D Min.
2702-4	1/4	7/16-20	45/64	1-17/32	1-7/64	7/16
2702-5	5/16	1/2-20	3/4	1-17/32	1-7/64	1/2
2702-6	3/8	9/16-18	13/16	1-9/64	1-3/16	9/16
2702-8	1/2	3/4-16	31/32	1-15/16	1-3/8	3/4
2702-10	5/8	7/8-14	1-3/32	2-11/64	1-33/64	7/8
2702-12	3/4	1-1/16-12	1-17/64	2-7/16	1-11/16	1-1/16
2702-16	1	1-5/16-12	1-29/64	2-9/16	1-11/16	1-5/16

2701-LN BULKHEAD 90° TUBE UNION LOCK NUT

Part Number	Tube O.D.	JIC Male	A	C	D
2701-4-LN	1/4	7/16-20	-	-	-
2701-5-LN	5/16	1/2-20	-	-	-
2701-6-LN	3/8	9/16-18	-	-	-
2701-8-LN	1/2	3/4-16	-	-	-
2701-10-LN	5/8	7/8-14	-	-	-
2701-12-LN	3/4	1-1/16-12	-	-	-
2701-16-LN	1	1-5/16-12	-	-	-
2701-20-LN	1-1/4	1-5/8-12	-	-	-

2702-LN BULKHEAD 45° TUBE ELBOW LOCK NUT

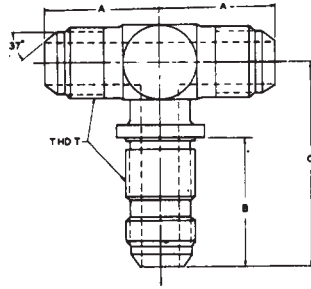
Part Number	Tube O.D.	JIC Male	A	C	D
2702-4-LN	1/4	7/16-20	-	-	-
2702-5-LN	5/16	1/2-20	-	-	-
2702-6-LN	3/8	9/16-18	-	-	-
2702-8-LN	1/2	3/4-16	-	-	-
2702-10-LN	5/8	7/8-14	-	-	-
2702-12-LN	3/4	1-1/16-12	-	-	-
2702-16-LN	1	1-5/16-12	-	-	-



Hydraulic Adapters & Tube Fittings

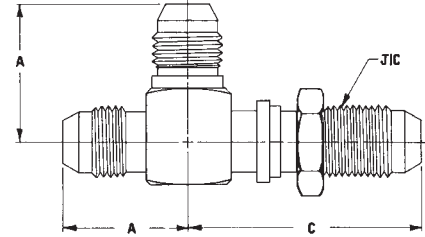
2703 BULKHEAD TEE

Available in 316 Stainless Steel



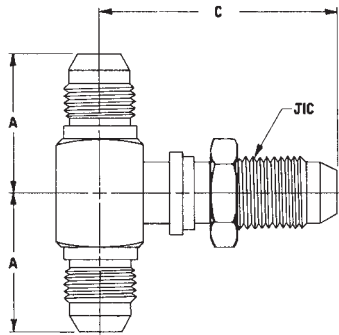
Part Number	Tube O.D.	JIC Male	A	B	C
2703-4	1/4	7/16-20	61/64	1-7/64	1-37/64
2703-5	5/16	1/2-20	1-1/64	1-7/64	1-39/64
2703-6	3/8	9/16-18	1-5/64	1-3/16	1-51/64
2703-8	1/2	3/4-16	1-11/32	1-3/8	2-3/32
2703-10	5/8	7/8-14	1-35/64	1-33/64	1-3/8
2703-12	3/4	1-1/16-12	1-49/64	1-11/16	2-21/32
2703-16	1	1-5/16-12	1-59/64	1-11/16	2-25/32

2704-LN BULKHEAD TUBE TEE LOCK NUT



Part Number	Tube O.D.	JIC Male	A	C
2704-4-LN	1/4	7/16-20	-	-
2704-6-LN	3/8	9/16-18	-	-
2704-8-LN	1/2	3/4-16	-	-
2704-10-LN	5/8	7/8-14	-	-
2704-12-LN	3/4	1-1/16-12	-	-
2704-16-LN	1	1-5/16-12	-	-

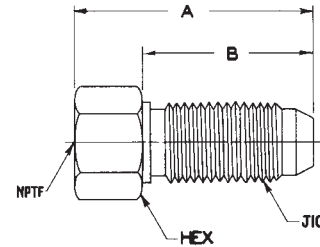
2703-LN BULKHEAD TUBE TEE LOCK NUT



Part Number	Tube O.D.	JIC Male	A	C
2703-4-LN	1/4	7/16-20	-	-
2703-6-LN	3/8	9/16-18	-	-
2703-8-LN	1/2	3/4-16	-	-
2703-10-LN	5/8	7/8-14	-	-
2703-12-LN	3/4	1-1/16-12	-	-

2705 BULKHEAD CONNECTOR

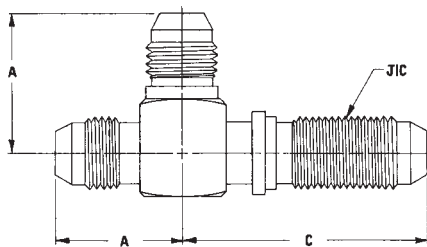
Available in 316 Stainless Steel



Part Number	Tube O.D.	NPTF Female	JIC Male	A	B	Hex
2705-2-4	1/4	1/8	7/16-20	-	-	-
2705-4-4	1/4	1/4	7/16-20	-	-	-
2705-4-6	3/8	1/4	9/16-18	-	-	-
2705-6-6	3/8	3/8	9/16-18	-	-	-
2705-6-8	1/2	3/8	3/4-16	-	-	-
2705-8-8	1/2	1/2	3/4-16	-	-	-
2705-8-10	5/8	1/2	7/8-14	-	-	-
2705-12-6	3/8	3/4	9/16-18	-	-	-
2705-12-12	3/4	3/4	1-1/16-12	-	-	-
2705-12-14	7/8	3/4	1-3/16-12	-	-	-
2705-16-16	1	1	1-5/16-12	-	-	-
2705-20-20	1-1/4	1-1/4	1-5/8-12	-	-	-

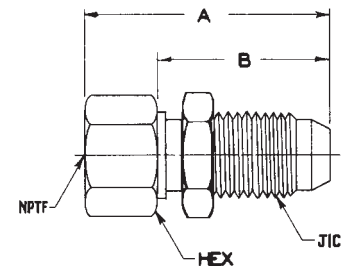
2704 BULKHEAD TUBE TEE

Available in 316 Stainless Steel



Part Number	Tube O.D.	JIC Male	A	C
2704-4	1/4	7/16-20	-	-
2704-5	5/16	1/2-20	-	-
2704-6	3/8	9/16-18	-	-
2704-8	1/2	3/4-16	-	-
2704-10	5/8	7/8-14	-	-
2704-12	3/4	1-1/16-12	-	-
2704-16	1	1-5/16-12	-	-

2705-LN BULKHEAD CONNECTOR LOCK NUT



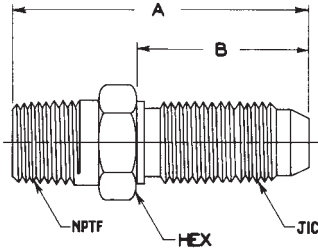
Part Number	Tube O.D.	NPTF Female	JIC Male	A	B	Hex
2705-2-4-LN	1/4	1/8	7/16-20	-	-	-
2705-4-6-LN	3/8	1/4	9/16-18	-	-	-
2705-6-8-LN	1/2	3/8	3/4-16	-	-	-
2705-8-12-LN	3/4	1/2	1-1/16-12	-	-	-
2705-12-LN	3/4	3/4	1-1/16-12	-	-	-
2705-16-LN	1	1	1-5/16-12	-	-	-

Hydraulic Adapters & Tube Fittings



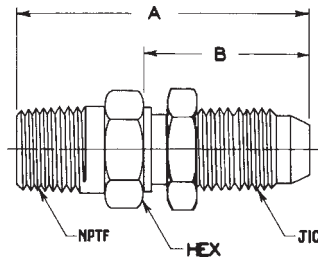
2706 BULKHEAD X NPTF MALE CONNECTOR

Available in 316 Stainless Steel



Part Number	Tube O.D.	NPTF Male	JIC Male	A	B	Hex
2706-2-4	1/4	1/8	7/16-20	-	-	-
2706-4-4	1/4	1/4	7/16-20	-	-	-
2706-4-6	3/8	1/4	9/16-18	-	-	-
2706-6-6	3/8	3/8	9/16-18	-	-	-
2706-6-8	1/2	3/8	3/4-16	-	-	-
2706-8-8	1/2	1/2	3/4-16	-	-	-
2706-8-10	5/8	1/2	7/8-14	-	-	-
2706-8-12	3/4	1/2	1-1/16-12	-	-	-
2706-12-12	3/4	3/4	1-1/16-12	-	-	-
2706-16-16	1	1	1-5/16-12	-	-	-
2706-20-20	1-1/4	1-1/4	1-5/8-12	-	-	-
2706-24-24	1-1/2	1-1/2	1-7/8-12	-	-	-
2706-32-32	2	2	2-1/2-12	-	-	-

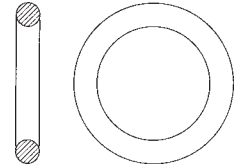
2706-LN BULKHEAD X NPTF MALE CONNECTOR LOCK NUT



Part Number	Tube O.D.	NPTF Male	JIC Male	A	B	Hex
2706-2-4-LN	1/4	1/8	7/16-20	-	-	-
2706-4-LN	1/4	1/4	7/16-20	-	-	-
2706-4-6-LN	3/8	1/4	9/16-18	-	-	-
2706-6-8-LN	1/2	3/8	3/4-16	-	-	-
2706-8-10-LN	5/8	1/2	7/8-14	-	-	-
2706-12-LN	3/4	3/4	1-1/16-12	-	-	-
2706-16-LN	1	1	1-5/16-12	-	-	-

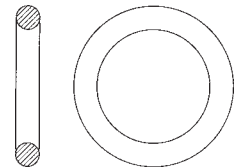
4000 ORB O-RING

Part Number	ORB O-Ring
4000-2	5/16-24
4000-3	3/8-24
4000-4	7/16-20
4000-5	1/2-20
4000-6	9/16-18
4000-8	3/4-16
4000-10	7/8-14
4000-12	1-1/16-12
4000-14	1-3/16-12
4000-16	1-5/16-12
4000-20	1-5/8-12
4000-24	1-7/8-12
4000-32	2-1/2-12



4001-VOR ORB O-RING VITON

Part Number	ORB O-Ring
4001-4-VOR	7/16-20
4001-5-VOR	1/2-20
4001-6-VOR	9/16-18
4001-8-VOR	3/4-16
4001-10-VOR	7/8-14
4001-12-VOR	1-1/16-12
4001-14-VOR	1-3/16-12
4001-16-VOR	1-5/16-12
4001-20-VOR	1-5/8-12
4001-24-VOR	1-7/8-12
4001-32-VOR	2-1/2-12

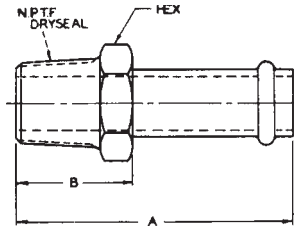




Hydraulic Adapters & Tube Fittings

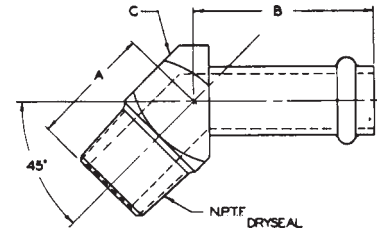
4404 STRAIGHT BARB HOSE STEM

Available in 316 Stainless Steel



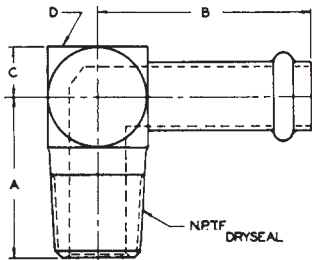
Part Number	Tube O.D.	NPTF Male	Hex	A	B
4404-4-2	1/4	1/8	7/16	2-5/64	37/64
4404-5-2	5/16	1/8	7/16	2-5/64	37/64
4404-6-4	3/8	1/4	5/8	2-11/32	27/32
4404-6-6	3/8	3/8	-	-	-
4404-8-6	1/2	3/8	3/4	2-3/8	7/8
4404-10-6	5/8	3/8	-	-	-
4404-10-8	5/8	1/2	15/16	2-37/64	1-5/64
4404-12-8	3/4	1/2	-	-	-
4404-12-12	3/4	3/4	1-1/8	2-5/8	1-1/8
4404-16-12	1	3/4	-	-	-
4404-16-16	1	1	1-1/4	2-27/32	1-11/32
4404-20-20	1-1/4	1-1/4	1-3/4	2-57/64	1-25/64
4404-24-20	1-1/2	1-1/2	-	-	-
4404-24-24	1-1/2	1-1/2	2	2-15/16	1-7/16
4404-32-32	2	2	2-1/2	2-15/16	1-7/16

4503 45° BARB HOSE STEM



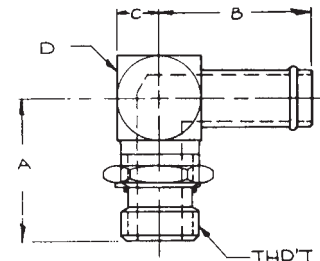
Part Number	Tube O.D.	NPTF Male	A	B	C
4503-4-2	1/4	1/8	5/8	1-9/16	1/2
4503-5-2	5/16	1/8	5/8	1-9/16	1/2
4503-6-4	3/8	1/4	27/32	1-5/8	5/8
4503-8-6	1/2	3/8	15/16	1-11/16	13/16
4503-8-8	1/2	1/2	-	-	-
4503-10-6	5/8	3/8	1-5/32	1-23/32	15/16
4503-10-8	5/8	1/2	-	-	-
4503-12-8	3/4	1/2	-	-	-
4503-12-12	3/4	3/4	1-3/16	1-23/32	1-1/8
4503-16-12	1	3/4	-	-	-
4503-16-16	1	1	1-15/32	1-3/4	1-3/8
4503-20-20	1-1/4	1-1/4	1-21/32	1-13/16	1-3/4
4503-24-24	1-1/2	1-1/2	1-3/4	1-7/8	2
4503-32-32	2	2	2-3/32	2	2-1/2

4501 90° BARB HOSE STEM



Part Number	Tube O.D.	NPTF Male	A	B	C	D
4501-4-2	1/4	1/8	25/32	1-3/4	1/4	1/2
4501-4-4	1/4	1/4	-	-	-	-
4501-6-4	3/8	1/4	1-1/16	1-13/16	5/16	5/8
4501-6-6	3/8	3/8	-	-	-	-
4501-8-6	1/2	3/8	1-3/16	1-29/32	13/32	13/16
4501-8-8	1/2	1/2	-	-	-	-
4501-8-12	1/2	3/4	-	-	-	-
4501-10-6	5/8	3/8	-	-	-	-
4501-10-8	5/8	1/2	1-7/16	1-31/32	15/32	15/16
4501-12-6	3/4	3/8	-	-	-	-
4501-12-8	3/4	1/2	-	-	-	-
4501-12-12	3/4	3/4	1-19/32	2-1/16	9/16	1-1/8
4501-12-16	3/4	1	-	-	-	-
4501-16-12	1	3/4	-	-	-	-
4501-16-16	1	1	1-31/32	2-3/16	11/16	1-3/8
4501-20-16	1-1/4	1	-	-	-	-
4501-20-20	1-1/4	1-1/4	2-3/8	2-3/8	7/8	1-3/4
4501-24-24	1-1/2	1-1/2	2-5/8	2-1/2	1	2
4501-32-32	2	2	3	2-3/4	1-1/4	2-1/2

4601 90° BARB HOSE STEM

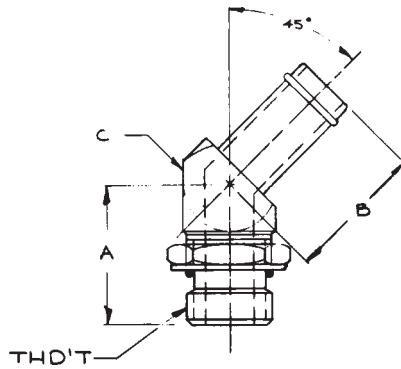


Part Number	Tube O.D.	ORB Male	A	B	C	D
4601-4	1/4	7/16-20	1-1/64	1-3/4	1/4	1/3
4601-6	3/8	9/16-18	1-15/64	1-13/16	5/16	5/8
4601-8	1/2	3/4-16	1-7/16	1-29/32	13/32	13/16
4601-10-6	5/8	9/16-18	1-23/64	1-28/32	3/8	3/4
4601-10	5/8	7/8-14	1-11/16	1-31/32	15/32	15/16
4601-12-8	3/4	3/4-16	-	-	-	-
4601-12-10	3/4	7/8-14	-	-	-	-
4601-12	3/4	1-1/16-12	1-59/64	2-1/16	9/16	1-1/8
4601-16-12	1	1-1/16-12	-	-	-	-
4601-16-14	1	1-3/16-12	-	-	-	-
4601-16	1	1-5/16-12	2-1/32	2-3/16	11/16	1-3/8
4601-16-20	1	1-5/8-12	-	-	-	-
4601-20-16	1-1/4	1-5/16-12	-	-	-	-
4601-20	1-1/4	1-5/8-12	2-15/64	2-3/8	7/8	1-3/4
4601-20-24	1-1/4	1-7/8-12	-	-	-	-
4601-24	1-1/2	1-7/8-12	2-3/8	2-1/2	1	2
4601-32	2	2-1/2-12	2-7/8	2-13/16	1-5/16	2-5/8

Hydraulic Adapters & Tube Fittings



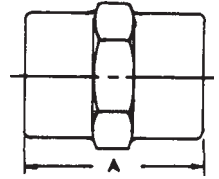
4603 45° BARB HOSE STEM



Part Number	Tube O.D.	ORB Male	B	A	C
4603-4	1/4	7/16-20	1-9/16	1-1/32	1/2
4603-5	5/16	1/2-20	1-39/64	1-1/32	9/16
4603-6	3/8	9/16-18	1-19/32	1-1/8	5/8
4603-8	1/2	3/4-16	1-5/8	1-9/32	13/16
4603-10	5/8	7/8-14	1-39/64	1-1/2	15/16
4603-12-8	3/4	3/4-16	-	-	-
4603-12	3/4	1-1/16-12	1-45/64	1-23/32	1-1/8
4603-16-12	1	1-1/16-12	-	-	-
4603-16	1	1-5/16-12	1-55/64	1-27/32	1-3/8
4603-20	1-1/4	1-5/8-12	1-59/64	1-57/64	1-3/4
4603-24	1-1/2	1-7/8-12	1-31/32	1-57/64	2
4603-32	2	2-1/2-12	2-9/64	1-27/32	2-5/8

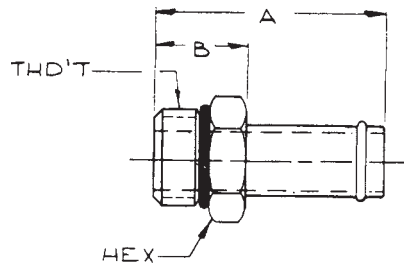
5000 FEMALE PIPE COUPLING

Available in 316 Stainless Steel



Part Number	NPTF Female	NPTF Female	A	Hex
5000-2-2	1/8	1/8	7/8	9/16
5000-4-2	1/4	1/8	-	-
5000-4-4	1/4	1/4	1-1/8	3/4
5000-6-2	3/8	1/8	-	-
5000-6-4	3/8	1/4	-	-
5000-6-6	3/8	3/8	1-7/16	15/16
5000-8-4	1/2	1/4	-	-
5000-8-6	1/2	3/8	-	-
5000-8-8	1/2	1/2	1-5/8	1-1/8
5000-12-8	3/4	1/2	-	-
5000-12-12	3/4	3/4	2	1-3/8
5000-16-12	1	3/4	-	-
5000-16-16	1	1	2-1/8	1-5/8
5000-20-20	1-1/4	1-1/4	2-5/16	2
5000-24-20	1-1/2	1-1/4	-	-
5000-24-24	1-1/2	1-1/2	2-1/2	2-3/8
5000-32-32	2	2	-	-

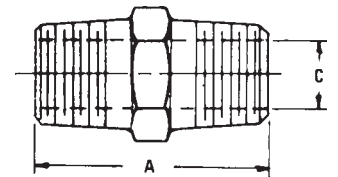
4604 STRAIGHT BARB HOSE STEM



Part Number	Tube O.D.	ORB Male	Hex	A	B
4604-4	1/4	7/16-20	9/16	2-7/64	39/64
4604-5	5/16	1/2-20	5/8	2-7/64	39/64
4604-6	3/8	9/16-18	11/16	2-3/16	11/16
4604-8	1/2	3/4-16	7/8	2-1/4	3/4
4604-10	5/8	7/8-14	1	2-5/16	13/16
4604-12-8	3/4	3/4-16	-	-	-
4604-12-12	3/4	1-1/16-12	-	-	-
4604-16-12	1	1-1/16-12	-	-	-
4604-16	1	1-5/16-12	1-1/2	2-1/2	1
4604-16-20	1	1-5/8-12	-	-	-
4604-20-16	1-1/4	1-5/16-12	-	-	-
4604-20	1-1/4	1-5/8-12	1-7/8	2-1/2	1
4604-24-20	1-1/2	1-5/8-12	-	-	-
4604-24	1-1/2	1-7/8-12	2-1/8	2-1/2	1
4604-32	2	2-1/2-12	2-3/4	2-1/2	1

5404 MALE PIPE COUPLING

Available in 316 Stainless Steel



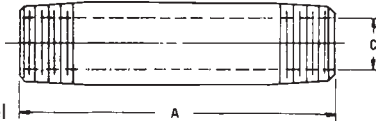
Part Number	NPTF Male	NPTF Male	A	Hex	C
5404-2-2	1/8	1/8	15/16	7/16	3/16
5404-4-2	1/4	1/8	-	-	-
5404-4-4	1/4	1/4	1-3/8	5/8	9/32
5404-6-2	3/8	1/8	-	-	-
5404-6-4	3/8	1/4	-	-	-
5404-6-6	3/8	3/8	1-17/32	3/4	13/32
5404-8-4	1/2	1/4	-	-	-
5404-8-6	1/2	3/8	-	-	-
5404-8-8	1/2	1/2	1-13/16	7/8	17/32
5404-12-6	3/4	3/8	-	-	-
5404-12-8	3/4	1/2	-	-	-
5404-12-12	3/4	3/4	1-7/8	1-1/8	23/32
5404-16-12	1	3/4	-	-	-
5404-16-16	1	1	2-7/32	1-3/8	15/16
5404-20-12	1-1/4	3/4	-	-	-
5404-20-16	1-1/4	1	-	-	-
5404-20-20	1-1/4	1-1/4	2-13/32	1-3/4	1-1/4
5404-24-12	1-1/2	3/4	-	-	-
5404-24-16	1-1/2	1	-	-	-
5404-24-24	1-1/2	1-1/2	2-19/32	2	1-1/2
5404-32-32	2	2	-	-	-



Hydraulic Adapters & Tube Fittings

5404-N NPTF MALE NIPPLE

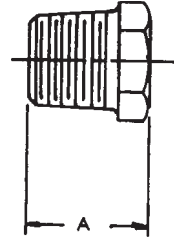
Available in 316 Stainless Steel



Part Number	NPTF Male	A
5404-N-2-CLS	1/8	—
5404-N-2-2	1/8	2.00
5404-N-2-2.5	1/8	2.50
5404-N-2-3	1/8	3.00
5404-N-2-4	1/8	4.00
5404-N-4-CLS	1/4	—
5404-N-4-2	1/4	2.00
5404-N-4-3	1/4	3.00
5404-N-4-4	1/4	4.00
5404-N-6-CLS	3/8	—
5404-N-6-2	3/8	2.00
5404-N-6-2.5	3/8	2.50
5404-N-6-3	3/8	3.00
5404-N-6-4	3/8	4.00
5404-N-6-6	3/8	6.00
5404-N-8-CLS	1/2	—
5404-N-8-2	1/2	2.00
5404-N-8-2.5	1/2	2.50
5404-N-8-3	1/2	3.00
5404-N-8-4	1/2	4.00
5404-N-12-CLS	3/4	—
5404-N-12-2	3/4	2.00
5404-N-12-3	3/4	3.00
5404-N-12-4	3/4	4.00
5404-N-16-CLS	1	—
5404-N-16-3	1	3.00
5404-N-20-CLS	1-1/4	—
5404-N-24-CLS	1-1/2	—

5406 PIPE-REDUCER-BUSHING

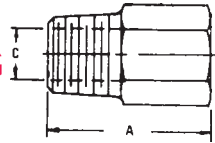
Available in 316 Stainless Steel



Part Number	NPTF Male	NPTF Female	A	Hex
5406-4-2	1/4	1/8	25/32	9/16
5406-6-2	3/8	1/8	-	-
5406-6-4	3/8	1/4	25/32	3/4
5406-8-2	1/2	1/8	-	-
5406-8-4	1/2	1/4	-	-
5406-8-6	1/2	3/8	1-1/32	7/8
5406-12-4	3/4	1/4	-	-
5406-12-6	3/4	3/8	-	-
5406-12-8	3/4	1/2	1-1/16	1-1/8
5406-16-4	1	1/4	-	-
5406-16-6	1	3/8	-	-
5406-16-8	1	1/2	-	-
5406-16-12	1	3/4	1-1/4	1-3/8
5406-20-8	1-1/4	1/2	-	-
5406-20-12	1-1/4	3/4	-	-
5406-20-16	1-1/4	1	1-9/32	1-3/4
5406-24-12	1-1/2	3/4	-	-
5406-24-16	1-1/2	1	-	-
5406-24-20	1-1/2	1-1/4	1-5/16	2
5406-32-16	2	1	-	-
5406-32-20	2	1-1/4	-	-
5406-32-24	2	1-1/2	1-3/8	2-1/2

5405 PIPE EXPANSION COUPLING

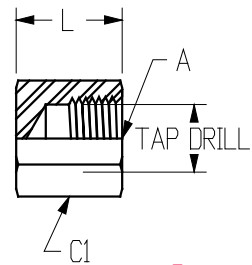
Available in 316 Stainless Steel



Part Number	NPTF Male	NPTF Female	A	Hex	C
5405-2-2	1/8	1/8	1	9/16	9/32
5405-2-4	1/8	1/4	-	-	-
5405-2-8	1/8	1/2	-	-	-
5405-4-2	1/4	1/8	-	-	-
5405-4-4	1/4	1/4	-	-	-
5405-4-6	1/4	3/8	-	-	-
5405-4-8	1/4	1/2	-	-	-
5405-4-12	1/4	3/4	-	-	-
5405-6-4	3/8	1/4	1-5/16	3/4	13/32
5405-6-6	3/8	3/8	-	-	-
5405-6-8	3/8	1/2	-	-	-
5405-8-4	1/2	1/4	-	-	-
5405-8-6	1/2	3/8	1-11/16	7/8	17/32
5405-8-8	1/2	1/2	-	-	-
5405-8-12	1/2	3/4	-	-	-
5405-8-16	1/2	1	-	-	-
5405-12-8	3/4	1/2	1-13/16	1-1/8	11/16
5405-12-12	3/4	3/4	-	-	-
5405-12-16	3/4	1	-	-	-
5405-16-12	1	3/4	1-15/16	1-3/8	57/64
5405-16-16	1	1	-	-	-
5405-16-20	1	1-1/4	-	-	-
5405-20-16	1-1/4	1	2-1/8	1-3/4	1-1/8
5405-20-20	1-1/4	1-1/4	-	-	-
5405-20-24	1-1/4	1-1/2	-	-	-
5405-24-20	1-1/2	1-1/4	2-1/4	2	1-15/32
5405-24-24	1-1/2	1-1/2	-	-	-
5405-24-32	1-1/2	2	-	-	-

5406-C HEAVY DUTY FEMALE PIPE CAP NUT

Available in 316 Stainless Steel



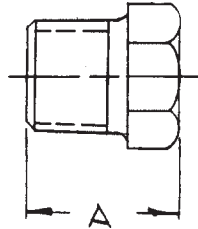
Part Number	A NPTF	L	C1	Tap Drill
5406-C-2	1/8 - 27	.69	.56	.33
5406-C-4	1/4 - 18	.92	.75	.43
5406-C-6	3/8 - 18	.97	.88	.57
5406-C-8	1/2 - 14	1.23	1.13	.70
5406-C-12	3/4 - 14	1.31	1.38	.91
5406-C-16	1 - 11-1/2	1.61	1.63	1.14

Hydraulic Adapters & Tube Fittings



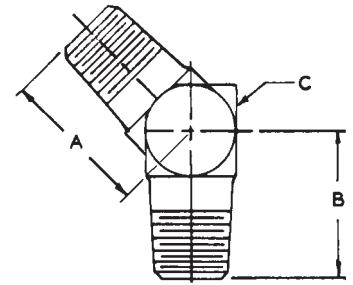
5406-P PIPE PLUG

Available in 316 Stainless Steel



Part Number	NPTF Male	A	Hex
5406-2P	1/8	9/16	7/16
5406-4P	1/4	25/32	9/16
5406-6P	3/8	25/32	3/4
5406-8P	1/2	1	7/8
5406-12P	3/4	1-1/16	1-1/8
5406-16P	1	1-1/4	1-3/8
5406-20P	1-1/4	1-9/32	1-3/4
5406-24P	1-1/2	1-5/16	2
5406-32P	2	1-3/8	2-1/2

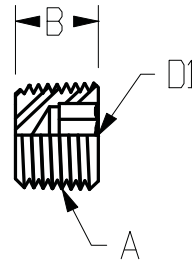
5501 45° NPTF MALE ELBOW



Part Number	NPTF Male	NPTF Male
5501-2-2	1/8	1/8
5501-4-4	1/4	1/4
5501-6-6	3/8	3/8
5501-8-8	1/2	1/2
5501-12-12	3/4	3/4
5501-16-16	1	1

5409 HEXAGON SOCKET MALE PIPE PLUG

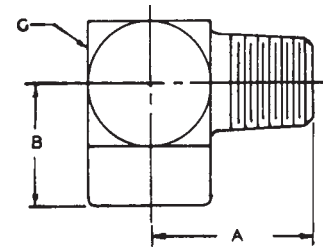
Available in 316 Stainless Steel



Part Number	A NPTF	B	D1
5409-2	1/8 - 27	.30	.19
5409-6	3/8 - 18	.46	.31
5409-4	1/4 - 18	.46	.25
5409-8	1/2 - 14	.61	.38
5409-12	3/4 - 14	.62	.56
5409-16	1 - 11-1/2	.77	.63
5409-20	1-1/4 - 11-1/2	.80	.63

5502 STREET ELBOW 90°

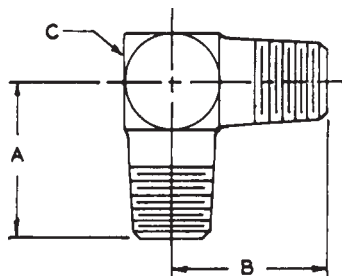
Available in 316 Stainless Steel



Part Number	NPTF Male	NPTF Female	A	B	C
5502-2-2	1/8	1/8	13/16	21/32	5/8
5502-2-4	1/8	1/4	-	-	-
5502-4-2	1/4	1/8	-	-	-
5502-4-4	1/4	1/4	1-1/4	7/8	3/4
5502-4-6	1/4	3/8	-	-	-
5502-6-4	3/8	1/4	-	-	-
5502-6-6	3/8	3/8	1-1/4	15/16	7/8
5502-6-8	3/8	1/2	-	-	-
5502-8-4	1/2	1/4	-	-	-
5502-8-6	1/2	3/8	-	-	-
5502-8-8	1/2	1/2	1-1/2	1-1/8	1-1/8
5502-8-12	1/2	3/4	-	-	-
5502-12-8	3/4	1/2	-	-	-
5502-12-12	3/4	3/4	1-5/8	1-5/16	1-3/8
5502-16-12	1	3/4	-	-	-
5502-16-16	1	1	2-1/16	1-5/8	1-5/8
5502-20-20	1-1/4	1-1/4	2-7/16	1-23/32	2
5502-24-24	1-1/2	1-1/2	2-3/4	2-1/16	2-3/8
5502-32-32	2	2	3	2-3/8	2-7/8

5500 MALE PIPE ELBOW 90°

Available in 316 Stainless Steel



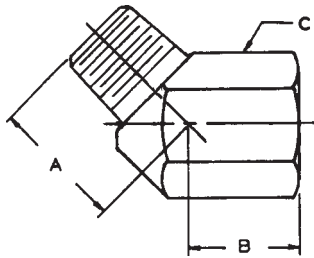
Part Number	NPTF Male	NPTF Male	A	B	C
5500-2-2	1/8	1/8	3/4	3/4	1/2
5500-4-2	1/4	1/8	-	-	-
5500-4-4	1/4	1/4	1-3/32	1-3/32	5/8
5500-6-4	3/8	1/4	-	-	-
5500-6-6	3/8	3/8	1-7/32	1-7/32	3/4
5500-8-6	1/2	3/8	-	-	-
5500-8-8	1/2	1/2	1-15/32	1-15/32	15/16
5500-12-8	3/4	1/2	-	-	-
5500-12-12	3/4	3/4	-	-	-
5500-16-12	1	3/4	-	-	-
5500-16-16	1	1	1-31/32	1-31/32	1-3/8
5500-20-20	1-1/4	1-1/4	2-3/8	2-3/8	1-3/4
5500-24-24	1-1/2	1-1/2	2-5/8	2-5/8	2
5500-32-32	2	2	-	-	-



Hydraulic Adapters & Tube Fittings

5503 STREET ELBOW 45°

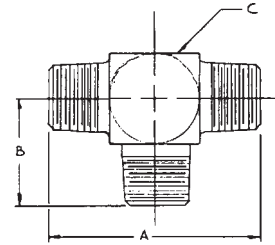
Available in 316 Stainless Steel



Part Number	NPTF Male	NPTF Female	A	B	C Hex
5503-2	1/8	1/8	5/8	7/16	5/8
5503-4	1/4	1/4	15/16	9/16	11/16
5503-6	3/8	3/8	1-1/8	3/4	7/8
5503-8	1/2	1/2	1-3/16	1	1-1/8
5503-12	3/4	3/4	1-3/8	1-1/4	1-5/16
5503-16	1	1	1-5/8	1-3/8	1-5/8
5503-20	1-1/4	1-1/4	-	-	-
5503-24	1-1/2	1-1/2	-	-	-

5600 NPTF MALE TEE

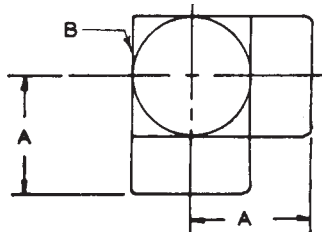
Available in 316 Stainless Steel



Part Number	NPTF Male	A	B	C
5600-2	1/8	-	-	-
5600-4	1/4	-	-	-
5600-6	3/8	-	-	-
5600-8	1/2	-	-	-
5600-12	3/4	-	-	-
5600-16	1	-	-	-
5600-20	1-1/4	-	-	-

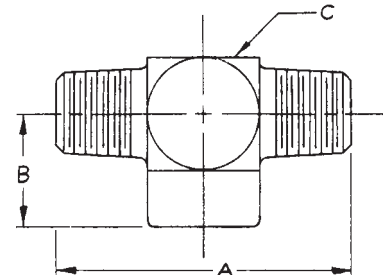
5504 FEMALE PIPE ELBOW 90°

Available in 316 Stainless Steel



Part Number	NPTF Female	NPTF Female	A	B
5504-2-2	1/8	1/8	11/16	5/8
5504-4-2	1/4	1/8	-	-
5504-4-4	1/4	1/4	13/16	3/4
5504-6-4	3/8	1/4	-	-
5504-6-6	3/8	3/8	15/16	7/8
5504-8-6	1/2	3/8	-	-
5504-8-8	1/2	1/2	1-1/8	1-1/8
5504-12-8	3/4	1/2	-	-
5504-12-12	3/4	3/4	1-5/16	1-3/8
5504-16-16	1	1	1-5/8	1-5/8
5504-20-20	1-1/4	1-1/4	1-3/4	2
5504-24-24	1-1/2	1-1/2	2	2-3/8
5504-32-32	2	2	-	-

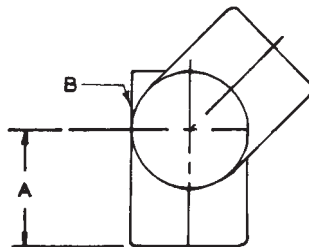
5601 NPTF MALE X NPTF MALE X NPTF FEMALE TEE



Part Number	NPTF Male	NPTF Male	NPTF Female	A	B	C
5601-2	1/8	1/8	1/8	-	-	-
5601-4	1/4	1/4	1/4	-	-	-
5601-6	3/8	3/8	3/8	-	-	-
5601-8	1/2	1/2	1/2	-	-	-
5601-12	3/4	3/4	3/4	-	-	-
5601-16	1	1	1	-	-	-
5601-20	1-1/4	1-1/4	1-1/4	-	-	-
5601-24	1-1/2	1-1/2	1-1/2	-	-	-

5505 45° NPTF FEMALE ELBOW

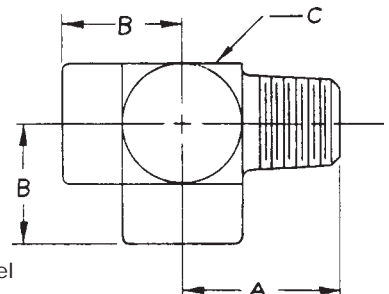
Available in 316 Stainless Steel



Part Number	NPTF Female	NPTF Female
5505-2-2	1/8	1/8
5505-4-4	1/4	1/4
5505-6-6	3/8	3/8
5505-8-8	1/2	1/2
5505-12-12	3/4	3/4
5505-16-16	1	1

5602 SERVICE TEE

Available in 316 Stainless Steel



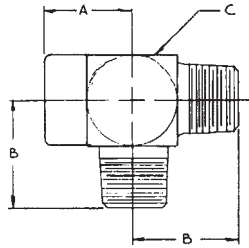
Part Number	NPTF Male	NPTF Female	NPTF Female	A	B	C
5602-2	1/8	1/8	1/8	13/16	21/32	5/8
5602-4	1/4	1/4	1/4	1-1/4	7/8	3/4
5602-6	3/8	3/8	3/8	1-1/4	15/16	7/8
5602-8	1/2	1/2	1/2	1-1/2	1-1/8	1-1/8
5602-12	3/4	3/4	3/4	1-5/8	1-5/16	1-3/8
5602-16	1	1	1	2-1/16	1-5/8	1-5/8
5602-20	1-1/4	1-1/4	1-1/4	2-7/16	1-23/32	2
5602-24	1-1/2	1-1/2	1-1/2	2-3/4	2-1/16	2-3/8
5602-32	2	2	2	3	2-3/8	2-7/8

Hydraulic Adapters & Tube Fittings



5603 MALE FEMALE RUN TEE

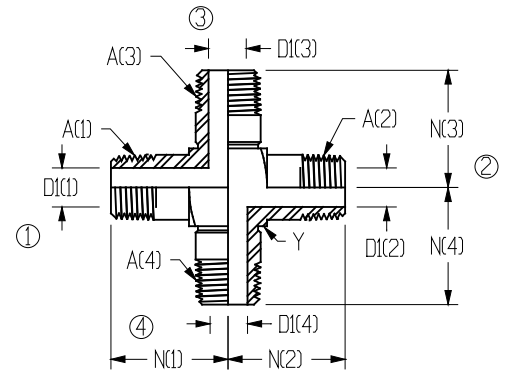
Available in 316 Stainless Steel



Part Number	NPTF Male	NPTF Female	NPTF Male	A	B	C
5603-2	1/8	1/8	1/8	21/32	13/16	5/8
5603-4	1/4	1/4	1/4	7/8	1-1/4	3/4
5603-6	3/8	3/8	3/8	15/16	1-1/4	7/8
5603-8	1/2	1/2	1/2	1-1/8	1-1/2	1-1/8
5603-12	3/4	3/4	3/4	1-5/16	1-5/8	1-3/8
5603-16	1	1	1	1-5/8	2-1/16	1-5/8
5603-20	1-1/4	1-1/4	1-1/4	1-23/32	2-7/16	2
5603-24	1-1/2	1-1/2	1-1/2	2-1/16	2-3/4	2-3/8

5650 MALE PIPE CROSS

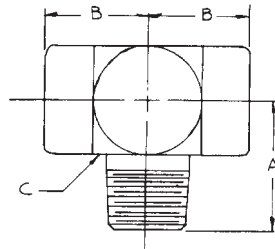
Available in 316 Stainless Steel



INFORMATION AVAILABLE UPON REQUEST.
CALL CUSTOMER SERVICE FOR DETAILS.

5604 MALE-FEMALE PIPE TEE

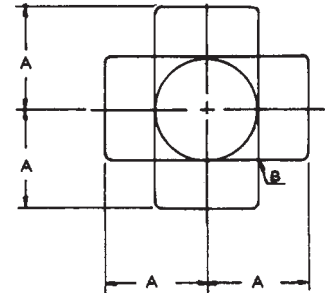
Available in 316 Stainless Steel



Part Number	NPTF Female	NPTF Female	NPTF Male	A	B	C
5604-2	1/8	1/8	1/8	13/16	21/32	5/8
5604-4	1/4	1/4	1/4	1-1/4	7/8	3/4
5604-6	3/8	3/8	3/8	1-1/4	15/16	7/8
5604-8	1/2	1/2	1/2	1-1/2	1-1/8	1-1/8
5604-12	3/4	3/4	3/4	1-5/8	1-5/16	1-3/8
5604-16	1	1	1	2-1/16	1-5/8	1-5/8
5604-20	1-1/4	1-1/4	1-1/4	2-7/16	1-23/32	2
5604-24	1-1/2	1-1/2	1-1/2	2-3/4	2-1/16	2-3/8

5652 FEMALE PIPE CROSS

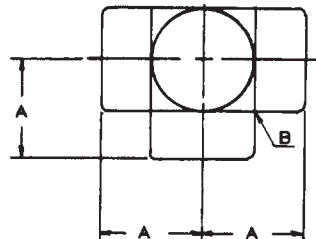
Available in 316 Stainless Steel



Part Number	NPTF Female	A	B
5652-2	1/8	11/16	5/8
5652-4	1/4	13/16	3/4
5652-6	3/8	15/16	7/8
5652-8	1/2	1-1/8	1-1/8
5652-12	3/4	1-5/16	1-3/8
5652-16	1	1-5/8	1-5/8
5652-20	1-1/4	1-3/4	2
5652-24	1-1/2	2	2-3/8
5652-32	2	-	-

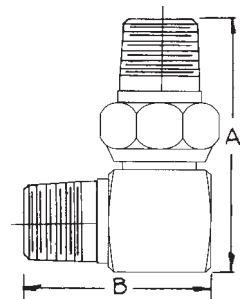
5605 FEMALE PIPE TEE

Available in 316 Stainless Steel



Part Number	NPTF Female	A	B
5605-2	1/8	11/16	5/8
5605-4	1/4	13/16	3/4
5605-6	3/8	15/16	7/8
5605-8	1/2	1-1/8	1-1/8
5605-12	3/4	1-5/16	1-3/8
5605-16	1	1-5/8	1-5/8
5605-20	1-1/4	1-3/4	2
5605-24	1-1/2	2	2-3/8
5605-32	2	-	-

5700 90° NPTF MALE X NPTF MALE SWIVEL

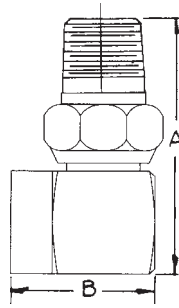


Part Number	NPTF Male	NPTF Male	A	B
5700-4-4	1/4	1/4	-	-
5700-6-6	3/8	3/8	-	-
5700-8-8	1/2	1/2	-	-
5700-12-12	3/4	3/4	-	-



Hydraulic Adapters & Tube Fittings

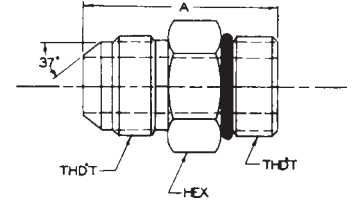
5702 90° NPTF FEMALE X NPTF MALE SWIVEL



Part Number	NPTF Female	NPTF Male	A	B
5702-4-4	1/4	1/4	-	-
5702-6-6	3/8	3/8	-	-
5702-8-8	1/2	1/2	-	-
5702-12-12	3/4	3/4	-	-

6400 STRAIGHT CONNECTOR

Available in 316 Stainless Steel



Part Number	Tube O.D.	JIC Male	ORB Male	A	Hex
6400-2-2	1/8	5/16-24	5/16-24	-	-
6400-3-2	3/16	3/8-24	5/16-24	-	-
6400-3-3	3/16	3/8-24	3/8-24	-	-
6400-4-2	1/4	7/16-20	5/16-24	-	-
6400-4-3	1/4	7/16-20	3/8-24	-	-
6400-4-4	1/4	7/16-20	7/16-20	1-1/16	9/16
6400-4-5	1/4	7/16-20	1/2-20	-	-
6400-4-6	1/4	7/16-20	9/16-18	-	-
6400-4-8	1/4	7/16-20	3/4-16	-	-
6400-4-10	1/4	7/16-20	7/8-14	-	-
6400-4-12	1/4	7/16-20	1-1/16-12	-	-
6400-5-2	5/16	1/2-20	5/16-24	-	-
6400-5-4	5/16	1/2-20	7/16-20	-	-
6400-5-5	5/16	1/2-20	1/2-20	1-1/16	5/8
6400-5-6	5/16	1/2-20	9/16-18	-	-
6400-5-8	5/16	1/2-20	3/4-16	-	-
6400-5-10	5/16	1/2-20	7/8-14	-	-
6400-6-4	3/8	9/16-18	7/16-20	-	-
6400-6-5	3/8	9/16-18	1/2-20	-	-
6400-6-6	3/8	9/16-18	9/16-18	1-3/16	11/16
6400-6-8	3/8	9/16-18	3/4-16	-	-
6400-6-10	3/8	9/16-18	7/8-14	-	-
6400-6-12	3/8	9/16-18	1-1/16-12	-	-
6400-6-16	3/8	9/16-18	1-5/16-12	-	-
6400-8-4	1/2	3/4-16	7/16-20	-	-
6400-8-5	1/2	3/4-16	1/2-20	-	-
6400-8-6	1/2	3/4-16	9/16-18	-	-
6400-8-8	1/2	3/4-16	3/4-16	1-11/32	7/8
6400-8-10	1/2	3/4-16	7/8-14	-	-
6400-8-12	1/2	3/4-16	1-1/16-12	-	-
6400-8-14	1/2	3/4-16	1-3/16-12	-	-
6400-8-16	1/2	3/4-16	1-5/16-12	-	-
6400-8-20	1/2	3/4-16	1-5/8-12	-	-
6400-10-6	5/8	7/8-14	9/16-18	-	-
6400-10-8	5/8	7/8-14	3/4-16	-	-
6400-10-10	5/8	7/8-14	7/8-14	1-9/16	1
6400-10-12	5/8	7/8-14	1-1/16-12	-	-
6400-10-16	5/8	7/8-14	1-5/16-12	-	-
6400-12-8	3/4	1-1/16-12	3/4-16	-	-
6400-12-10	3/4	1-1/16-12	7/8-14	-	-
6400-12-12	3/4	1-1/16-12	1-1/16-12	1-27/32	1-1/4
6400-12-14	3/4	1-1/16-12	1-3/16-12	-	-
6400-12-16	3/4	1-1/16-12	1-5/16-12	-	-
6400-12-20	3/4	1-1/16-12	1-5/8-12	-	-
6400-14-12	7/8	1-3/16-12	1-1/16-12	-	-
6400-14-14	7/8	1-3/16-12	1-3/16-12	1-55/64	1-3/8
6400-14-16	7/8	1-3/16-12	1-5/16-12	-	-
6400-16-8	1	1-5/16-12	3/4-16	-	-
6400-16-10	1	1-5/16-12	7/8-14	-	-
6400-16-12	1	1-5/16-12	1-1/16-12	-	-
6400-16-14	1	1-5/16-12	1-3/16-12	-	-
6400-16-16	1	1-5/16-12	1-5/16-12	1-7/8	1-1/2
6400-16-20	1	1-5/16-12	1-5/8-12	-	-
6400-20-12	1-1/4	1-5/8-12	1-1/16-12	-	-
6400-20-16	1-1/4	1-5/8-12	1-5/16-12	-	-
6400-20-20	1-1/4	1-5/8-12	1-5/8-12	1-59/64	1-7/8
6400-20-24	1-1/4	1-5/8-12	1-7/8-12	-	-
6400-24-20	1-1/2	1-7/8-12	1-5/8-12	-	-
6400-24-24	1-1/2	1-7/8-12	1-7/8-12	2-3/64	2-1/8
6400-24-32	1-1/2	1-7/8-12	2-1/2-12	-	-
6400-32-24	2	2-1/2-12	1-7/8-12	-	-
6400-32-32	2	2-1/2-12	2-1/2-12	2-19/64	2-3/4

6000 STEEL BACKUP WASHER



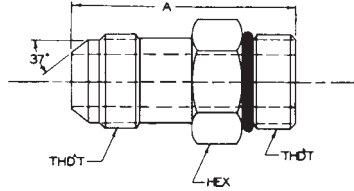
Part Number	ORB Washer
6000-2	5/16-24
6000-3	3/8-24
6000-4	7/16-20
6000-5	1/2-20
6000-6	9/16-18
6000-8	3/4-16
6000-10	7/8-14
6000-12	1-1/16-12
6000-14	1-1/16-12
6000-16	1-5/16-12
6000-20	1-5/8-12
6000-24	1-7/8-12
6000-32	2-1/2-12

Hydraulic Adapters & Tube Fittings



6400-L JIC STRAIGHT CONNECTOR LONG

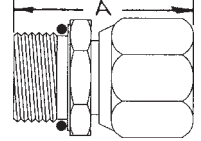
Available in 316 Stainless Steel



Part Number	Tube O.D.	JIC Male	ORB Male
6400-L-4-4	1/4	7/16-20	7/16-20
6400-L-5-5	5/16	1/2-20	1/2-20
6400-L-6-6	3/8	9/16-18	9/16-18
6400-L-8-8	1/2	3/4-16	3/4-16
6400-L-10-10	5/8	7/8-14	7/8-14
6400-L-12-12	3/4	1-1/16-12	1-1/16-12
6400-L-14-14	7/8	1-3/16-12	1-3/16-12
6400-L-16-16	1	1-5/16-12	1-5/16-12

6402 ORB MALE X JIC FEMALE

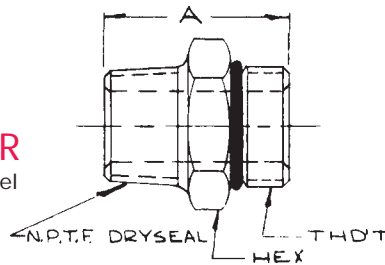
Available in 316 Stainless Steel



Part Number	Tube O.D.	ORB Male	JIC Female	A	Hex
6402-4-4	1/4	7/16-20	7/16-20	-	-
6402-6-6	3/8	9/16-18	9/16-18	-	-
6402-8-4	1/2	3/4-16	7/16-20	-	-
6402-8-5	1/2	3/4-16	1/2-20	-	-
6402-8-6	1/2	3/4-16	9/16-18	-	-
6402-8-8	1/2	3/4-16	3/4-16	-	-
6402-8-10	1/2	3/4-16	7/8-14	-	-
6402-8-12	1/2	3/4-16	1-1/16-12	-	-
6402-8-14	1/2	3/4-16	1-3/16-12	-	-
6402-8-16	1/2	3/4-16	1-5/16-12	-	-
6402-8-20	1/2	3/4-16	1-5/8-12	-	-
6402-10-10	5/8	7/8-14	7/8-14	-	-
6402-12-12	3/4	1-1/16-12	1-1/16-12	-	-
6402-16-16	1	1-5/16-12	1-5/16-12	-	-
6402-20-20	1-1/4	1-5/8-12	1-5/8-12	-	-

6401 MALE ORB ADAPTER

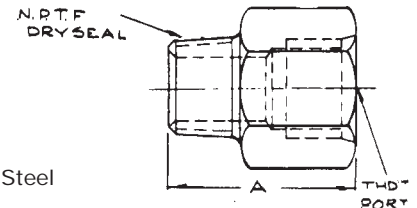
Available in 316 Stainless Steel



Part Number	Tube O.D.	ORB Male	NPTF Male	A	Hex
6401-4-2	1/4	7/16-20	1/8	15/16	9/16
6401-4-4	1/4	7/16-20	1/4	-	-
6401-5-2	5/16	1/2-20	1/8	15/16	5/8
6401-6-4	3/8	9/16-18	1/4	1-3/16	11/16
6401-6-6	3/8	9/16-18	3/8	-	-
6401-8-2	1/2	3/4-16	1/8	-	-
6401-8-4	1/2	3/4-16	1/4	-	-
6401-8-6	1/2	3/4-16	3/8	1-1/4	7/8
6401-8-8	1/2	3/4-16	1/2	-	-
6401-8-12	1/2	3/4-16	3/4	-	-
6401-8-16	1/2	3/4-16	1	-	-
6401-8-20	1/2	3/4-16	1-1/4	-	-
6401-8-24	1/2	3/4-16	1-1/2	-	-
6401-8-32	1/2	3/4-16	2	-	-
6401-10-8	5/8	7/8-14	1/2	1-9/16	1
6401-12-8	3/4	1-1/16-12	1/2	-	-
6401-12-12	3/4	1-1/16-12	3/4	1-47/64	1-1/4
6401-12-16	3/4	1-1/16-12	1	-	-
6401-16-16	1	1-5/16-12	1	1-29/64	1-1/2
6401-20-20	1-1/4	1-5/8-12	1-1/4	1-15/16	1-7/8
6401-24-24	1-1/2	1-7/8-12	1-1/2	1-63/64	2-1/8
6401-32-32	2	2-1/2-12	2	2	2-3/4

6404 FEMALE ORB ADAPTER

Available in 316 Stainless Steel



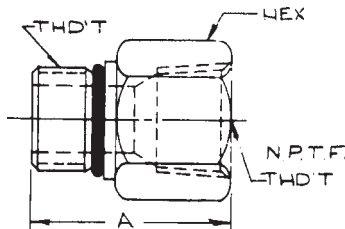
Part Number	Port Size	ORB Female	NPTF Male	A	Hex
6404-4-2	1/4	7/16-20	1/8	1-3/8	11/16
6404-4-4	1/4	7/16-20	1/4	-	-
6404-5-2	5/16	1/2-20	1/8	1-3/8	3/4
6404-6-4	3/8	9/16-18	1/4	1-35/64	7/8
6404-6-6	3/8	9/16-18	3/8	-	-
6404-6-8	3/8	9/16-18	1/2	-	-
6404-8-6	1/2	3/4-16	3/8	1-1/2	1
6404-8-8	1/2	3/4-16	1/2	-	-
6404-8-12	1/2	3/4-16	3/4	-	-
6404-10-6	5/8	7/8-14	3/8	-	-
6404-10-8	5/8	7/8-14	1/2	1-13/16	1-1/4
6404-12-8	3/4	1-1/16-12	1/2	-	-
6404-12-12	3/4	1-1/16-12	3/4	1-31/32	1-3/8
6404-14-12	7/8	1-3/16-12	3/4	2-1/32	1-1/2
6404-16-16	1	1-5/16-12	1	2-5/32	1-7/8
6404-20-20	1-1/4	1-5/8-12	1-1/4	2-1/4	2
6404-24-24	1-1/2	1-7/8-12	1-1/2	2-9/32	2-1/4
6404-32-32	2	2-1/2-12	2	2-5/16	2-7/8



Hydraulic Adapters & Tube Fittings

6405 MALE ORB CONNECTOR

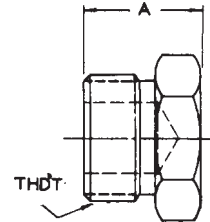
Available in 316 Stainless Steel



Part Number	Tube O.D.	ORB Male	NPTF Female	A	Hex
6405-4-2	1/4	7/16-20	1/8	31/32	9/16
6405-4-4	1/4	7/16-20	1/4	-	-
6405-5-2	5/16	1/2-20	1/8	1	5/8
6405-6-2	3/8	9/16-18	1/8	-	-
6405-6-4	3/8	9/16-18	1/4	1-9/32	3/4
6405-6-6	3/8	9/16-18	3/8	-	-
6405-6-8	3/8	9/16-18	1/2	-	-
6405-8-2	1/2	3/4-16	1/8	-	-
6405-8-4	1/2	3/4-16	1/4	-	-
6405-8-6	1/2	3/4-16	3/8	1-5/16	7/8
6405-8-8	1/2	3/4-16	1/2	-	-
6405-8-12	1/2	3/4-16	3/4	-	-
6405-8-16	1/2	3/4-16	1	-	-
6405-8-20	1/2	3/4-16	1-1/4	-	-
6405-8-24	1/2	3/4-16	1-1/2	-	-
6405-8-32	1/2	3/4-16	2	-	-
6405-10-4	5/8	7/8-14	1/4	-	-
6405-10-6	5/8	7/8-14	3/8	-	-
6405-10-8	5/8	7/8-14	1/2	1-35/64	1-1/8
6405-10-12	5/8	7/8-14	3/4	-	-
6405-12-6	3/4	1-1/16-12	3/8	-	-
6405-12-8	3/4	1-1/16-12	1/2	-	-
6405-12-12	3/4	1-1/16-12	3/4	1-55/64	1-3/8
6405-14-12	7/8	1-3/16-12	3/4	1-23/32	1-3/8
6405-16-8	1	1-5/16-12	1/2	-	-
6405-16-12	1	1-5/16-12	3/4	-	-
6405-16-16	1	1-5/16-12	1	1-29/32	1-5/8
6405-16-20	1	1-5/16-12	1-1/4	-	-
6405-20-16	1-1/4	1-5/8-12	1	-	-
6405-20-20	1-1/4	1-5/8-12	1-1/4	2-7/64	2
6405-20-24	1-1/4	1-5/8-12	1-1/2	-	-
6405-24-20	1-1/2	1-7/8-12	1-1/4	-	-
6405-24-24	1-1/2	1-7/8-12	1-1/2	2-7/64	2-3/8
6405-32-32	2	2-1/2-12	2	2-11/64	2-7/8

6408 PLUG

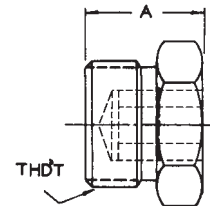
Available in 316 Stainless Steel



Part Number	Tube O.D.	ORB Male	A	Hex
6408-2	1/8	5/16-24	-	-
6408-3	3/16	3/8-24	-	-
6408-4	1/4	7/16-20	39/64	9/16
6408-5	5/16	1/2-20	39/64	5/8
6408-6	3/8	9/16-18	11/16	11/16
6408-8	1/2	3/4-16	3/4	7/8
6408-10	5/8	7/8-14	13/16	1
6408-12	3/4	1-1/16-12	1	1-1/4
6408-14	7/8	1-3/16-12	1	1-3/8
6408-16	1	1-5/16-12	1	1-1/2
6408-20	1-1/4	1-5/8-12	1	1-7/8
6408-24	1-1/2	1-7/8-12	1	2-1/8
6408-32	2	2-1/2-12	1	2-3/4

6409 ORB HOLLOW HEX PLUG

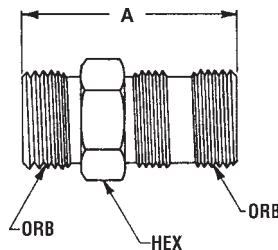
Available in 316 Stainless Steel



Part Number	Tube O.D.	ORB Male	A
6409-2	1/8	5/16-24	-
6409-3	3/16	3/8-24	-
6409-4	1/4	7/16-20	-
6409-5	5/16	1/2-20	-
6409-6	3/8	9/16-18	-
6409-8	1/2	3/4-16	-
6409-10	5/8	7/8-14	-
6409-12	3/4	1-1/16-12	-
6409-14	7/8	1-3/16-12	-
6409-16	1	1-5/16-12	-
6409-20	1-1/4	1-5/8-12	-
6409-24	1-1/2	1-7/8-12	-
6409-32	2	2-1/2-12	-

6407 ORB BULKHEAD

Available in 316 Stainless Steel



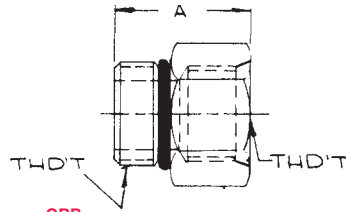
Part Number	Tube O.D.	ORB Male	ORB Male	A	Hex
6407-4-4	1/4	7/16-20	7/16-20	-	-
6407-6-6	3/8	9/16-18	9/16-18	-	-
6407-8-8	1/2	3/4-16	3/4-16	-	-
6407-10-10	5/8	7/8-14	7/8-14	-	-
6407-12-12	3/4	1-1/16-12	1-1/16-12	-	-
6407-16-16	1	1-5/16-12	1-5/16-12	-	-
6407-20-20	1-1/4	1-5/8-12	1-5/8-12	-	-
6407-24-24	1-1/2	1-7/8-12	1-7/8-12	-	-

Hydraulic Adapters & Tube Fittings



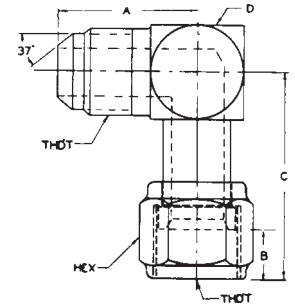
6410 ORB PORT BUSHING

Available in 316 Stainless Steel



Part Number	Tube O.D.	ORB Male	ORB Female	A	Hex
6410-4-6	1/4	7/16-20	9/16-18	-	-
6410-6-2	3/8	9/16-18	3/8-24	-	-
6410-6-4	3/8	9/16-18	7/16-20	31/32	11/16
6410-6-8	3/8	9/16-18	3/4-16	-	-
6410-8-4	1/2	3/4-16	7/16-20	-	-
6410-8-5	1/2	3/4-16	1/2-20	-	-
6410-8-6	1/2	3/4-16	9/16-18	1-1/16	7/8
6410-8-10	1/2	3/4-16	7/8-14	-	-
6410-8-12	1/2	3/4-16	1-1/16-12	-	-
6410-8-14	1/2	3/4-16	1-3/16-12	-	-
6410-8-16	1/2	3/4-16	1-5/16-12	-	-
6410-8-20	1/2	3/4-16	1-5/8-12	-	-
6410-10-6	5/8	7/8-14	9/16-18	-	-
6410-10-8	5/8	7/8-14	3/4-16	1-1/4	1
6410-10-12	5/8	7/8-14	1-1/16-12	-	-
6410-12-4	3/4	1-1/16-12	7/16-20	-	-
6410-12-8	3/4	1-1/16-12	3/4-16	-	-
6410-12-10	3/4	1-1/16-12	7/8-14	1-7/16	1-1/4
6410-12-16	3/4	1-1/16-12	1-5/16-12	-	-
6410-14-12	7/8	1-3/16-12	1-1/16-12	1-19/32	1-3/8
6410-16-8	1	1-5/16-12	3/4-16	-	-
6410-16-10	1	1-5/16-12	7/8-14	-	-
6410-16-12	1	1-5/16-12	1-1/16-12	-	-
6410-16-14	1	1-5/16-12	1-3/16-12	1-19/32	1-1/2
6410-16-20	1	1-5/16-12	1-5/8-12	-	-
6410-20-12	1-1/4	1-5/8-12	1-1/16-12	-	-
6410-20-16	1-1/4	1-5/8-12	1-5/16-12	1	1-7/8
6410-20-24	1-1/4	1-5/8-12	1-7/8-12	-	-
6410-24-12	1-1/2	1-7/8-12	1-1/16-12	-	-
6410-24-16	1-1/2	1-7/8-12	1-5/16-12	-	-
6410-24-20	1-1/2	1-7/8-12	1-5/8-12	1-19/32	2-1/8
6410-32-24	2	2-1/2-12	1-7/8-12	1	2-3/4

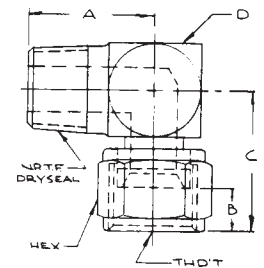
6500-L 90° SWIVEL ELBOW LONG



Part Number	Tube O.D.	JIC Male	JIC Female	A	B	C	D	Hex
6500-L-4	1/4	7/16-20	7/16-20	-	-	-	-	-
6500-L-6	3/8	9/16-18	9/16-18	-	-	-	-	-
6500-L-8	1/2	3/4-16	3/4-16	-	-	-	-	-
6500-L-10	5/8	7/8-14	7/8-14	-	-	-	-	-
6500-L-12	3/4	1-1/16-12	1-1/16-12	-	-	-	-	-

6501 90° SWIVEL ADAPTER

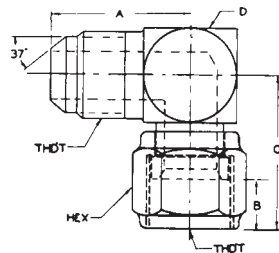
Available in 316 Stainless Steel



Part Number	Tube O.D.	NPTF Male	JIC Female	A	B +015 -000	C	D Min.	Hex
6501-2-4	1/4	1/8	7/16 - 20	25/32	.344	1	7/16	9/16
6501-2-5	5/16	1/8	1/2 - 20	25/32	.375	1-1/16	1/2	5/8
6501-4-4	1/4	1/4	7/16 - 20	-	-	-	-	-
6501-4-6	3/8	1/4	9/16 - 18	1-3/32	.375	1-1/4	9/16	11/16
6501-6	3/8	3/8	9/16 - 18	-	-	-	-	-
6501-6-8	1/2	3/8	3/4 - 16	1-7/32	.422	1-3/8	3/4	7/8
6501-8	1/2	1/2	3/4 - 16	-	-	-	-	-
6501-8-10	5/8	1/2	7/8 - 14	1-15/32	.500	1-5/8	7/8	1
6501-12-12	3/4	3/4	1-1/16 - 12	1-19/32	.562	1-3/4	1-1/16	1-1/4
6501-12-14	7/8	3/4	1-3/16 - 12	1-11/16	.578	1-25/32	1-3/16	1-3/8
6501-16-16	1	1	1-5/16 - 12	1-31/32	.594	2	1-5/16	1-1/2
6501-20-20	1-1/4	1-1/4	1-5/8 - 12	2-3/8	.625	2-5/16	1-5/8	2
6501-24-24	1-1/2	1-1/2	1-7/8 - 12	2-5/8	.734	2-19/32	1-7/8	2-1/4
6501-32-32	2	2	2-1/2 - 12	3	.938	3-3/8	2-1/2	2-7/8

6500 90° SWIVEL ELBOW

Available in 316 Stainless Steel



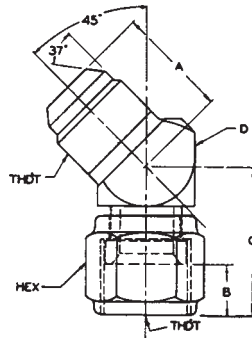
Part Number	Tube O.D.	JIC Male	JIC Female	A	B +015 -000	C	D Max	Hex
6500-4	1/4	7/16 - 20	7/16 - 20	55/64	.344	1	9/16	9/16
6500-4-6	1/4	7/16 - 20	9/16 - 18	-	-	-	-	-
6500-5	5/16	1/2 - 20	1/2 - 20	59/64	.375	1-1/16	5/8	5/8
6500-6	3/8	9/16 - 18	9/16 - 18	1-1/32	.375	1-1/4	13/16	11/16
6500-6-8	3/8	9/16 - 18	3/4 - 16	-	-	-	-	-
6500-8-6	1/2	3/4 - 16	9/16 - 18	-	-	-	-	-
6500-8	1/2	3/4 - 16	3/4 - 16	1-7/32	.422	1-3/8	7/8	7/8
6500-8-10	1/2	3/4 - 16	7/8 - 14	-	-	-	-	-
6500-10-8	5/8	7/8 - 14	3/4 - 16	-	-	-	-	-
6500-10	5/8	7/8 - 14	7/8 - 14	1-27/64	.500	1-5/8	1-1/8	1
6500-12	3/4	1-1/16 - 12	1-1/16 - 12	1-5/8	.562	1-3/4	1-3/8	1-1/4
6500-14	7/8	1-3/16 - 12	1-3/16 - 12	1-23/32	.578	1-25/32	1-1/2	1-3/8
6500-16	1	1-5/16 - 12	1-5/16 - 12	1-25/32	.594	2	1-5/8	1-1/2
6500-20	1-1/4	1-5/8 - 12	1-5/8 - 12	2-1/32	.625	2-5/16	2-1/8	2
6500-24	1-1/2	1-7/8 - 12	1-7/8 - 12	2-19/64	.734	2-19/32	2-1/4	2-1/4
6500-32	2	2-1/2 - 12	2-1/2 - 12	3-1/32	.938	3-3/8	3-1/4	2-7/8



Hydraulic Adapters & Tube Fittings

6502 45° SWIVEL ELBOW

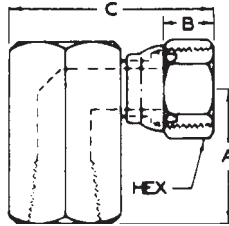
Available in 316 Stainless Steel



Part Number	Tube O.D.	JIC Male	JIC Female	A	B +015 -000	C	D	Hex
6502-4	1/4	7/16 - 20	7/16 - 20	45/64	.344	15/16	1/2	9/16
6502-5	5/16	1/2 - 20	1/2 - 20	3/4	.375	1	9/16	5/8
6502-6	3/8	9/16 - 18	9/16 - 18	13/16	.375	1-1/8	5/8	11/16
6502-8	1/2	3/4 - 16	3/4 - 16	31/32	.422	1-9/32	13/16	7/8
6502-10	5/8	7/8 - 14	7/8 - 14	1-3/32	.500	1-7/16	15/16	1
6502-12	3/4	1-1/16 - 12	1-1/16 - 12	1-17/64	.562	1-1/2	1-1/8	1-1/4
6502-14	7/8	1-3/16 - 12	1-3/16 - 12	1-3/8	.578	1-5/8	1-1/4	1-3/8
6502-16	1	1-5/16 - 12	1-5/16 - 12	1-29/64	.594	1-3/4	1-3/8	1-1/2
6502-20	1-1/4	1-5/8 - 12	1-5/8 - 12	1-37/64	.625	2-1/32	1-3/4	2
6502-24	1-1/2	1-7/8 - 12	1-7/8 - 12	1-49/64	.734	2-1/4	2	2-1/4
6502-32	2	2-1/2 - 12	2-1/2 - 12	2-13/64	.938	2-29/32	2-5/8	2-7/8

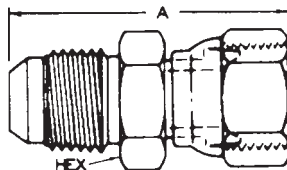
6503 90° NPTF FEMALE X JIC FEMALE

Available in 316 Stainless Steel



Part Number	Tube O.D.	NPTF Female	JIC Female	A	B	C	Hex
6503-4-4	1/4	1/4	7/16-20	-	-	-	-
6503-6-6	3/8	3/8	9/16-18	-	-	-	-
6503-8-8	1/2	1/2	3/4-16	-	-	-	-
6503-12-12	3/4	3/4	1-1/16-12	-	-	-	-
6503-16-16	1	1	1-5/16-12	-	-	-	-

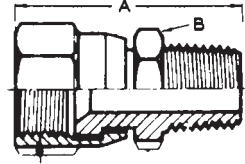
6504 JIC MALE X JIC FEMALE



Part Number	Tube O.D.	JIC Male	JIC Female	A	Hex
6504-4-4	1/4	7/16-20	7/16-20	-	-
6504-6-6	3/8	9/16-18	9/16-18	-	-
6504-8-8	1/2	3/4-16	3/4-16	-	-
6504-10-10	5/8	7/8-14	7/8-14	-	-
6504-12-12	3/4	1-1/16-12	1-1/16-12	-	-
6504-16-16	1	1-5/16-12	1-5/16-12	-	-
6504-20-20	1-1/4	1-5/8-12	1-5/8-12	-	-

6505 NPTF MALE X JIC FEMALE

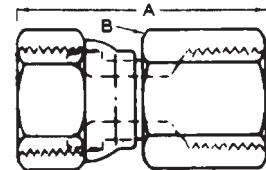
Available in 316 Stainless Steel



Part Number	Tube O.D.	NPTF Male	JIC Female	A	B
6505-2-4	1/4	1/8	7/16-20	-	-
6505-4-4	1/4	1/4	7/16-20	-	-
6505-4-5	5/16	1/4	1/2-20	-	-
6505-4-6	3/8	1/4	9/16-18	-	-
6505-6-6	3/8	3/8	9/16-18	-	-
6505-6-8	1/2	3/8	3/4-16	-	-
6505-8-8	1/2	1/2	3/4-16	-	-
6505-8-10	5/8	1/2	7/8-14	-	-
6505-12-12	3/4	3/4	1-1/16-12	-	-
6505-16-16	1	1	1-5/16-12	-	-
6505-20-20	1-1/4	1-1/4	1-5/8-12	-	-
6505-24-24	1-1/2	1-1/2	1-7/8-12	-	-
6505-32-32	2	2	2-1/2-12	-	-

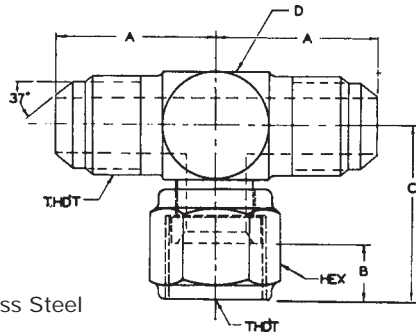
6506 NPTF FEMALE X JIC FEMALE

Available in 316 Stainless Steel



Part Number	Tube O.D.	NPTF Female	JIC Female	A	B
6506-2-4	1/4	1/8	7/16-20	-	-
6506-4-4	1/4	1/4	7/16-20	-	-
6506-4-6	3/8	1/4	9/16-18	-	-
6506-6-6	3/8	3/8	9/16-18	-	-
6506-6-8	1/2	3/8	3/4-16	-	-
6506-8-6	3/8	1/2	9/16-18	-	-
6506-8-8	1/2	1/2	3/4-16	-	-
6506-8-10	5/8	1/2	7/8-14	-	-
6506-12-10	5/8	3/4	7/8-14	-	-
6506-12-12	3/4	3/4	1-1/16-12	-	-
6506-12-14	7/8	3/4	1-3/16-12	-	-
6506-16-16	1	1	1-5/16-12	-	-
6506-20-20	1-1/4	1-1/4	1-5/8-12	-	-
6506-24-24	1-1/2	1-1/2	1-7/8-12	-	-
6506-32-32	2	2	2-1/2-12	-	-

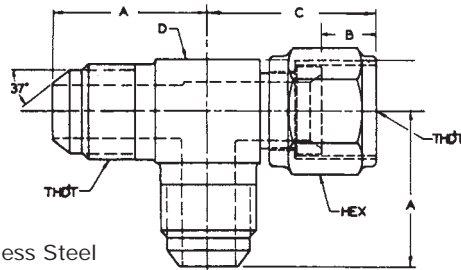
Hydraulic Adapters & Tube Fittings



6600 SWIVEL TEE-OUTLET

Available in 316 Stainless Steel

Part Number	Tube O.D.	JIC Male	JIC Male	JIC Female	A	B +015 -000	C	D Max	Hex
6600-4	1/4	7/16-20	7/16-20	7/16-20	55/64	.344	1	9/16	9/16
6600-5	5/16	1/2-20	1/2-20	1/2-20	59/64	.375	1-1/16	5/8	5/8
6600-6	3/8	9/16-18	9/16-18	9/16-18	1-1/32	.375	1-1/4	13/16	11/16
6600-8	1/2	3/4-16	3/4-16	3/4-16	1-7/32	.422	1-3/8	7/8	7/8
6600-10	5/8	7/8-14	7/8-14	7/8-14	1-27/64	.500	1-5/8	1-1/8	1
6600-12	3/4	1-1/16-12	1-1/16-12	1-1/16-12	1-5/8	.562	1-3/4	1-3/8	1-1/4
6600-14	7/8	1-3/16-12	1-3/16-12	1-3/16-12	1-23/32	.578	1-25/32	1-1/2	1-3/8
6600-16	1	1-5/16-12	1-5/16-12	1-5/16-12	1-25/32	.594	2	1-5/8	1-1/2
6600-20	1 1/4	1-5/8-12	1-5/8-12	1-5/8-12	2-1/32	.625	2-5/16	2-1/8	2
6600-24	1 1/2	1-7/8-12	1-7/8-12	1-7/8-12	2-19/64	.734	2-19/32	2-1/4	2-1/4
6600-32	2	2-1/2-12	2-1/2-12	2-1/2-12	3-1/32	.938	3-3/8	3-1/4	2-7/8



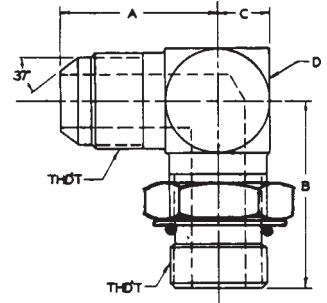
6602 SWIVEL TEE-RUN

Available in 316 Stainless Steel

Part Number	Tube O.D.	JIC Male	JIC Female	JIC Male	A	B +015 -000	C	D Max	Hex
6602-4	1/4	7/16 - 20	7/16 - 20	7/16 - 20	55/64	.344	1	9/16	9/16
6602-5	5/16	1/2 - 20	1/2 - 20	1/2 - 20	59/64	.375	1-1/16	5/8	5/8
6602-6	3/8	9/16 - 18	9/16 - 18	9/16 - 18	1-1/32	.375	1-1/4	13/16	11/16
6602-8	1/2	3/4 - 16	3/4 - 16	3/4 - 16	1-7/32	.422	1-3/8	7/8	7/8
6602-8-12	1/2	3/4 - 16	3/4 - 16	1-1/16 - 12	-	-	-	-	-
6602-10	5/8	7/8 - 14	7/8 - 14	7/8 - 14	1-27/64	.500	1-5/8	1-1/8	1
6602-12	3/4	1-1/16 - 12	1-1/16 - 12	1-1/16 - 12	1-5/8	.52	1-3/4	1-3/8	1-1/4
6602-14	7/8	1-3/16 - 12	1-3/16 - 12	1-3/16 - 12	1-23/32	.578	1-25/32	1-1/2	1-3/8
6602-16	1	1-5/16 - 12	1-5/16 - 12	1-5/16 - 12	1-25/32	.594	2	1-5/8	1-1/2
6602-20	1-1/4	1-5/8 - 12	1-5/8 - 12	1-5/8 - 12	2-1/32	.625	2-5/16	2-1/8	2
6602-24	1-1/2	1-7/8 - 12	1-7/8 - 12	1-7/8 - 12	2-19/64	.734	2-19/32	2-1/4	2-1/4
6602-32	2	2-1/2 - 12	2-1/2 - 12	2-1/2 - 12	3-1/32	.938	3-3/8	3-1/4	2-7/8

6801 90° ADJUSTABLE ELBOW

Available in 316 Stainless Steel



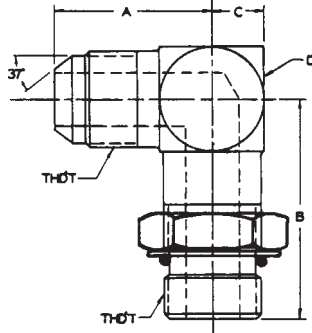
Part Number	Tube O.D.	JIC Male	ORB Male	A	B	C	D Max
6801-2	1/8	5/16 - 24	5/16 - 24	-	-	-	-
6801-3	3/16	3/8 - 24	3/8 - 24	-	-	-	-
6801-4	1/4	7/16 - 20	7/16 - 20	55/64	1-1/64	9/32	9/16
6801-4-5	1/4	7/16 - 20	1/2 - 20	-	-	-	-
6801-4-6	1/4	7/16 - 20	9/16 - 18	-	-	-	-
6801-4-8	1/4	7/16 - 20	3/4 - 16	-	-	-	-
6801-5-4	5/16	1/2 - 20	7/16 - 20	-	-	-	-
6801-5	5/16	1/2 - 20	1/2 - 20	59/64	1-5/64	5/16	5/8
6801-5-6	5/16	1/2 - 20	9/16 - 18	-	-	-	-
6801-6-4	3/8	9/16 - 18	7/16 - 20	-	-	-	-
6801-6-5	3/8	9/16 - 18	1/2 - 20	-	-	-	-
6801-6	3/8	9/16 - 18	9/16 - 18	1-1/32	1-15/64	13/32	13/16
6801-6-8	3/8	9/16 - 18	3/4 - 16	-	-	-	-
6801-6-10	3/8	9/16 - 18	7/8 - 14	-	-	-	-
6801-8-6	1/2	3/4 - 16	9/16 - 18	-	-	-	-
6801-8	1/2	3/4 - 16	3/4 - 16	1-7/32	1-7/16	7/16	7/8
6801-8-10	1/2	3/4 - 16	7/8 - 14	-	-	-	-
6801-8-12	1/2	3/4 - 16	1-1/16 - 12	-	-	-	-
6801-10-6	5/8	7/8 - 14	9/16 - 18	-	-	-	-
6801-10-8	5/8	7/8 - 14	3/4 - 16	-	-	-	-
6801-10	5/8	7/8 - 14	7/8 - 14	1-27/64	1-11/16	9/16	1-1/8
6801-10-12	5/8	7/8 - 14	1-1/16 - 12	-	-	-	-
6801-12-8	3/4	1-1/16 - 12	3/4 - 16	-	-	-	-
6801-12-10	3/4	1-1/16 - 12	7/8 - 14	-	-	-	-
6801-12	3/4	1-1/16 - 12	1-1/16 - 12	1-5/8	1-59/64	11/16	1-3/8
6801-12-14	3/4	1-1/16 - 12	1-3/16 - 12	-	-	-	-
6801-12-16	3/4	1-1/16 - 12	1-5/16 - 12	-	-	-	-
6801-12-20	3/4	1-1/16 - 12	1-5/8 - 12	-	-	-	-
6801-14-12	7/8	1-3/16 - 12	1-1/16 - 12	-	-	-	-
6801-14	7/8	1-3/16 - 12	1-3/16 - 12	1-23/32	1-63/64	3/4	1-1/2
6801-16-12	1	1-5/16 - 12	1-1/16 - 12	-	-	-	-
6801-16-14	1	1-5/16 - 12	1-3/16 - 12	-	-	-	-
6801-16	1	1-5/16 - 12	1-5/16 - 12	1-25/32	2-1/32	13/16	1-5/8
6801-16-20	1	1-5/16 - 12	1-5/8 - 12	-	-	-	-
6801-20-16	1-1/4	1-5/8 - 12	1-5/16 - 12	-	-	-	-
6801-20	1-1/4	1-5/8 - 12	1-5/8 - 12	2-1/32	2-15/64	1-1/16	2-1/8
6801-20-24	1-1/4	1-5/8 - 12	1-7/8 - 12	-	-	-	-
6801-24-20	1-1/2	1-7/8 - 12	1-5/8 - 12	-	-	-	-
6801-24	1-1/2	1-7/8 - 12	1-7/8 - 12	2-19/64	2-3/8	1-1/8	2-1/4
6801-32	2	2-1/2 - 12	2-1/2 - 12	3-1/32	2-7/8	1-5/8	3-1/4



Hydraulic Adapters & Tube Fittings

6801-L ADJUSTABLE ELBOW LONG

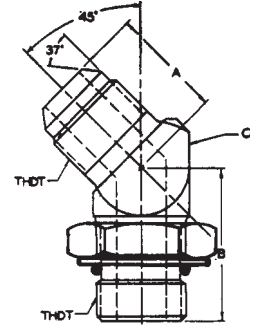
Available in 316 Stainless Steel



Part Number	Tube O.D.	JIC Male	ORB Male	A	B	C	D
6801-L-6	3/8	9/16-18	9/16-18	-	-	-	-
6801-L-8	1/2	3/4-16	3/4-16	-	-	-	-
6801-L-10	5/8	7/8-14	7/8-14	-	-	-	-
6801-L-12	3/4	1-1/16-12	1-1/16-12	-	-	-	-
6801-L-16	1	1-5/16-12	1-5/16-12	-	-	-	-

6802 45° ADJUSTABLE ELBOW

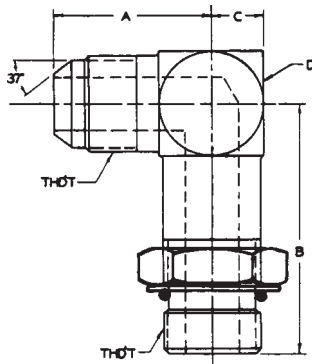
Available in 316 Stainless Steel



Part Number	Tube O.D.	JIC Male	ORB Male	A	B	C Max
6802-4	1/4	7/16-20	7/16-20	45/64	1-1/32	9/16
6802-5	5/16	1/2-20	1/2-20	3/4	1-1/32	5/8
6802-6-4	3/8	9/16-18	7/16-20	-	-	-
6802-6	3/8	9/16-18	9/16-18	13/16	1-1/8	13/16
6802-6-8	3/8	9/16-18	3/4-16	-	-	-
6802-8-6	1/2	3/4-16	9/16-18	-	-	-
6802-8	1/2	3/4-16	3/4-16	31/32	1-9/32	7/8
6802-8-10	1/2	3/4-16	7/8-14	-	-	-
6802-10-8	5/8	7/8-14	3/4-16	-	-	-
6802-10	5/8	7/8-14	7/8-14	1-3/32	1-1/2	1-1/8
6802-10-12	5/8	7/8-14	1-1/16-12	-	-	-
6802-12-10	3/4	1-1/16-12	7/8-14	-	-	-
6802-12	3/4	1-1/16-12	1-1/16-12	1-17/64	1-23/32	1-3/8
6802-12-16	3/4	1-1/16-12	1-5/16-12	-	-	-
6802-14	7/8	1-3/16-12	1-3/16-12	1-3/8	1-25/32	1-1/2
6802-16-12	1	1-5/16-12	1-1/16-12	-	-	-
6802-16	1	1-5/16-12	1-5/16-12	1-29/64	1-27/32	1-5/8
6802-20	1-1/4	1-5/8-12	1-5/8-12	1-37/64	1-57/64	2-1/8
6802-24	1-1/2	1-7/8-12	1-7/8-12	1-49/64	1-57/64	2-1/4
6802-32	2	2-1/2-12	2-1/2-12	2-13/64	1-27/32	3-1/4

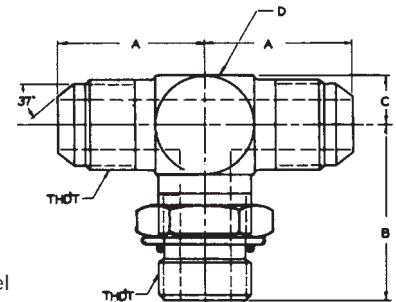
6801-LL ADJUSTABLE ELBOW EXTRA LONG

Part Number	Tube O.D.	JIC Male	ORB Male	A	B	C	D
6801-LL-6	3/8	9/16-18	9/16-18	-	-	-	-
6801-LL-8	1/2	3/4-16	3/4-16	-	-	-	-
6801-LL-10	5/8	7/8-14	7/8-14	-	-	-	-
6801-LL-12	3/4	1-1/16-12	1-1/16-12	-	-	-	-
6801-LL-16	1	1-5/16-12	1-5/16-12	-	-	-	-



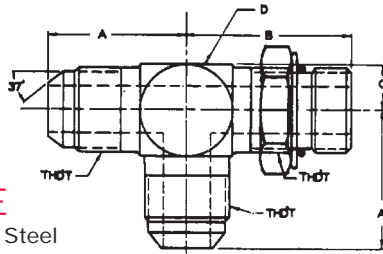
6803 RUN TEE ADJUSTABLE

Available in 316 Stainless Steel



Part Number	Tube O.D.	JIC Male	JIC Male	ORB Male	A	B	C	D Max
6803-4	1/4	7/16 - 20	7/16 - 20	7/16 - 20	55/64	1-1/64	9/32	9/16
6803-5	5/16	1/2 - 20	1/2 - 20	1/2 - 20	59/64	1-5/64	5/16	5/8
6803-6	3/8	9/16 - 18	9/16 - 18	9/16 - 18	1-1/32	1-15/64	13/32	13/16
6803-8	1/2	3/4 - 16	3/4 - 16	3/4 - 16	1-7/32	1-7/16	7/16	7/8
6803-10	5/8	7/8 - 14	7/8 - 14	7/8 - 14	1-27/64	1-11/16	9/16	1-1/8
6803-12	3/4	1-1/16 - 12	1 1/16 - 12	1-1/16 - 12	1-5/8	1-59/64	11/16	1-3/8
6803-14	7/8	1-3/16 - 12	1 3/16 - 12	1-3/16 - 12	1-23/32	1-63/64	3/4	1-1/2
6803-16	1	1-5/16 - 12	1 5/16 - 12	1-5/16 - 12	1-25/32	2-1/32	13/16	1-5/8
6803-20	1-1/4	1-5/8 - 12	1 5/8 - 12	1-5/8 - 12	2-1/32	2-15/64	1-1/16	2-1/8
6803-24	1-1/2	1-7/8 - 12	1 7/8 - 12	1-7/8 - 12	2-19/64	2-3/8	1-1/8	2-1/4
6803-32	2	2-1/2 - 12	2 1/2 - 12	2- 1/2 - 12	3-1/32	2-7/8	1-5/8	3-1/4

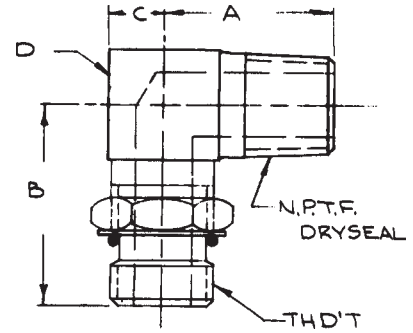
Hydraulic Adapters & Tube Fittings



6804 ADJUSTABLE TEE

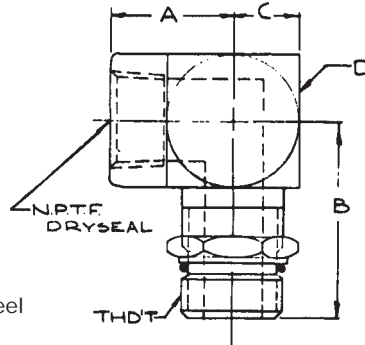
Available in 316 Stainless Steel

Part Number	Tube O.D.	JIC Male	ORB Male	JIC Male	A	B	C	D Max
6804-4	1/4	7/16 - 20	7/16 - 20	7/16 - 20	55/64	1-1/64	9/32	9/16
6804-5	5/16	1/2 - 20	1/2 - 20	1/2 - 20	59/64	1-5/64	5/16	5/8
6804-6	3/8	9/16 - 18	9/16 - 18	9/16 - 18	1-1/32	1-15/64	13/32	13/16
6804-8	1/2	3/4 - 16	3/4 - 16	3/4 - 16	1-7/32	1-7/16	7/16	7/8
6804-10	5/8	7/8 - 14	7/8 - 14	7/8 - 14	1-27/64	1-11/16	9/16	1-1/8
6804-12	3/4	1-1/16 - 12	1-1/16 - 12	1-1/16 - 12	1-5/8	1-59/64	11/16	1-3/8
6804-14	7/8	1-3/16 - 12	1-3/16 - 12	1-3/16 - 12	1-23/32	1-63/64	3/4	1-1/2
6804-16	1	1-5/16 - 12	1-5/16 - 12	1-5/16 - 12	1-25/32	2-1/32	13/16	1-5/8
6804-20	1-1/4	1-5/8 - 12	1-5/8 - 12	1-5/8 - 12	2-1/32	2-15/64	1-1/16	2-1/8
6804-24	1-1/2	1-7/8 - 12	1-7/8 - 12	1-7/8 - 12	2-19/64	2-3/8	1-1/8	2-1/4
6804-32	2	2-1/2 - 12	2-1/2 - 12	2-1/2 - 12	3-1/32	2-7/8	1-5/8	3-1/4



6806 90° ADJUSTABLE MALE ELBOW

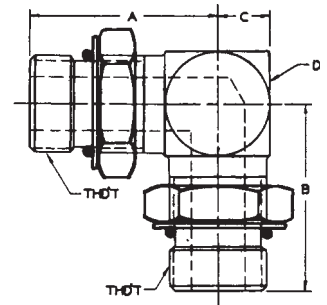
Part Number	Tube O.D.	ORB Male	NPTF Male	A	B	C	D
6806-4-2	1/4	7/16-20	1/8	25/32	1-1/64	1/4	1/2
6806-4-4	1/4	7/16-20	1/4	-	-	-	-
6806-5-2	5/16	1/2-20	1/8	25/32	1-5/64	9/32	9/16
6806-6-4	3/8	9/16-18	1/4	1-1/32	1-15/64	5/16	5/8
6806-6-6	3/8	9/16-18	3/8	-	-	-	-
6806-8-6	1/2	3/4-16	3/8	1-7/32	1-7/16	13/32	13/16
6806-8-8	1/2	3/4-16	1/2	-	-	-	-
6806-10-8	5/8	7/8-14	1/2	1-7/16	1-11/16	15/32	15/16
6806-12-12	3/4	1-1/16-12	3/4	1-19/32	1-59/64	9/16	1-1/8
6806-14-12	7/8	1-3/16-12	3/4	1-1/32	1-63/64	5/8	1-1/4
6806-16-16	1	1-5/16-12	1	1-31/32	2-1/32	11/16	1-3/8
6806-20-20	1-1/4	1-5/8-12	1-1/4	2-3/8	2-15/64	7/8	1-3/4
6806-24-24	1-1/2	1-7/8-12	1-1/2	2-5/8	2-3/8	1	2
6806-32-32	2	2-1/2-12	2	3-1/16	2	1-5/16	2-5/8



6805 90° ADJUSTABLE FEMALE ADAPTER

Available in 316 Stainless Steel

Part Number	Tube O.D.	ORB Male	NPTF Female	A	B	C	D
6805-4-2	1/4	7/16-20	1/8	41/64	1-5/64	5/16	5/8
6805-5-2	5/16	1/2-20	1/8	41/64	1-7/64	5/16	5/8
6805-6-4	3/8	9/16-18	1/4	13/16	1-15/64	3/8	3/4
6805-8-6	1/2	3/4-16	3/8	31/32	1-15/32	7/16	7/8
6805-10-6	5/8	7/8-14	3/8	-	-	-	-
6805-10-8	5/8	7/8-14	1/2	1-1/8	1-25/32	9/16	1-1/8
6805-12	3/4	1-1/16-12	3/4	-	-	-	-
6805-14-12	7/8	1-3/16-12	3/4	1-11/32	2-3/64	11/16	1-3/8
6805-16-12	1	1-5/16-12	3/4	-	-	-	-
6805-16	1	1-5/16-12	1	-	-	-	-
6805-20	1-1/4	1-5/8-12	1-1/4	-	-	-	-
6805-24	1-1/2	1-7/8-12	1-1/2	-	-	-	-
6805-32	2	2-1/2-12	2	-	-	-	-



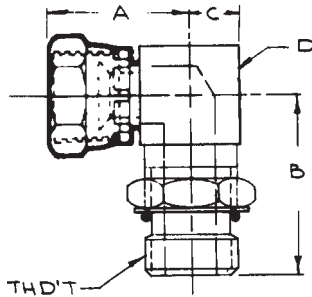
6807 90° ORB MALE ADJUSTABLE

Part Number	Tube O.D.	ORB Male	ORB Male	A	B	C	D
6807-4-4	1/4	7/16 - 20	7/16 - 20	-	-	-	-
6807-6-6	3/8	9/16 - 18	9/16 - 18	-	-	-	-
6807-8-8	1/2	3/4 - 16	3/4 - 16	-	-	-	-
6807-10-10	5/8	7/8 - 14	7/8 - 14	-	-	-	-
6807-12-12	3/4	1-1/16 - 12	1-1/16 - 12	-	-	-	-
6807-16-16	1	1-5/16 - 12	1-5/16 - 12	-	-	-	-
6807-20-20	1-1/4	1-5/8 - 12	1-5/8 - 12	-	-	-	-
6807-24-24	1-1/2	1-7/8 - 12	1-7/8 - 12	-	-	-	-



Hydraulic Adapters & Tube Fittings

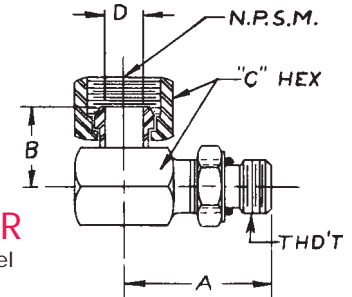
6809 90° ORB MALE ADJUSTABLE X JIC FEMALE



Part Number	Tube O.D.	ORB Male	JIC Female	A	B	C	D
6809-4-4	1/4	7/16 - 20	7/16 - 20	-	-	-	-
6809-6-6	3/8	9/16 - 18	9/16 - 18	-	-	-	-
6809-8-8	1/2	3/4 - 16	3/4 - 16	-	-	-	-
6809-10-10	5/8	7/8 - 14	7/8 - 14	-	-	-	-
6809-12-12	3/4	1-1/16 - 12	1-1/16 - 12	-	-	-	-
6809-16-16	1	1-5/16 - 12	1-5/16 - 12	-	-	-	-
6809-20-20	1-1/4	1-5/8 - 12	1-5/8 - 12	-	-	-	-

6901 90° BULKHEAD ADAPTER

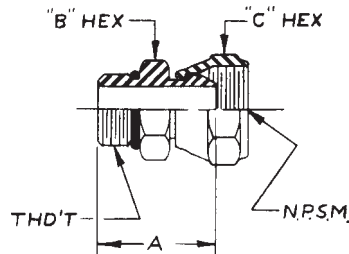
Available in 316 Stainless Steel



Part Number	Tube O.D.	ORB Male	NPSM Female	A	B	C	D
6901-4-4	1/4	7/16-20	1/4	1-7/64	3/4	11/16	15/64
6901-4-6	1/4	7/16-20	3/8	-	-	-	-
6901-6-4	3/8	9/16-18	1/4	-	-	-	-
6901-6-6	3/8	9/16-18	3/8	1-19/64	7/8	7/8	11/32
6901-6-8	3/8	9/16-18	1/2	-	-	-	-
6901-8-4	1/2	3/4-16	1/4	-	-	-	-
6901-8-6	1/2	3/4-16	3/8	-	-	-	-
6901-8-8	1/2	3/4-16	1/2	1-33/64	15/16	1	31/64
6901-8-12	1/2	3/4-16	3/4	-	-	-	-
6901-10-6	5/8	7/8-14	3/8	-	-	-	-
6901-10-8	5/8	7/8-14	1/2	-	-	-	-
6901-10-12	5/8	7/8-14	3/4	-	-	-	-
6901-12-8	3/4	1-1/16-12	1/2	-	-	-	-
6901-12-12	3/4	1-1/16-12	3/4	1-59/64	1-3/16	1-1/4	21/32
6901-12-16	3/4	1-1/16-12	1	-	-	-	-
6901-14-12	7/8	1-3/16-12	3/4	-	-	-	-
6901-16-12	1	1-5/16-12	3/4	-	-	-	-
6901-16-16	1	1-5/16-12	1	2-3/32	1-5/16	1-1/2	27/32
6901-20-12	1-1/4	1-5/8-12	3/4	-	-	-	-
6901-20-20	1-1/4	1-5/8-12	1-1/4	-	-	-	-
6901-24-24	1-1/2	1-7/8-12	1-1/2	-	-	-	-
6901-32-32	2	2-1/2-12	2	-	-	-	-

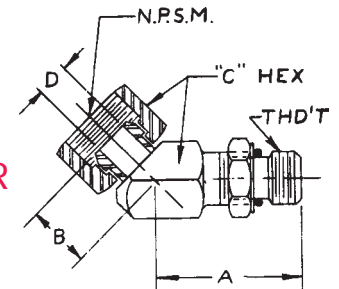
6900 BOSS TYPE UNION ADAPTER

Available in 316 Stainless Steel



Part Number	Tube O.D.	ORB Male	NPSM Female	A	B Hex	C Hex
6900-4-4	1/4	7/16-20	1/4	1.050	9/16	11/16
6900-5-4	5/16	1/2-20	1/4	-	-	-
6900-6-4	3/8	9/16-18	1/4	-	-	-
6900-6-6	3/8	9/16-18	3/8	1.140	11/16	7/8
6900-6-8	3/8	9/16-18	1/2	-	-	-
6900-8-4	1/2	3/4-16	1/4	-	-	-
6900-8-6	1/2	3/4-16	3/8	-	-	-
6900-8-8	1/2	3/4-16	1/2	1.234	7/9	1
6900-8-12	1/2	3/4-16	3/4	-	-	-
6900-10-6	5/8	7/8-14	3/8	-	-	-
6900-10-8	5/8	7/8-14	1/2	-	-	-
6900-10-12	5/8	7/8-14	3/4	-	-	-
6900-12-8	3/4	1-1/16-12	1/2	-	-	-
6900-12-12	3/4	1-1/16-12	3/4	1.580	1-1/4	1-1/4
6900-12-16	3/4	1-1/16-12	1	-	-	-
6900-14-12	7/8	1-3/16-12	3/4	-	-	-
6900-16-12	1	1-5/16-12	3/4	-	-	-
6900-16-16	1	1-5/16-12	1	1.657	1-1/2	1-1/2
6900-20-12	1-1/4	1-5/8-12	3/4	-	-	-
6900-20-16	1-1/4	1-5/8-12	1	-	-	-
6900-20-20	1-1/4	1-5/8-12	1-1/4	1.688	1-7/8	1-7/8
6900-24-20	1-1/2	1-7/8-12	1-1/4	-	-	-
6900-24-24	1-1/2	1-7/8-12	1-1/2	1.781	2-1/8	2-1/8
6900-32-32	2	2-1/2-12	2	1.938	2-3/4	2-5/8

6902 45° BULKHEAD ADAPTER

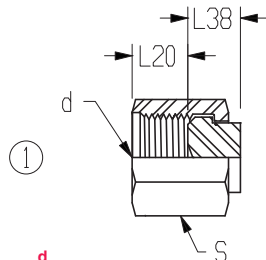


Part Number	Tube O.D.	ORB Male	NPSM Female	A	B	C	D
6902-4-4	1/4	7/16-20	1/4	-	-	-	-
6902-6-4	3/8	9/16-18	1/4	-	-	-	-
6902-6-6	3/8	9/16-18	3/8	1-1/16	45/64	7/8	11/32
6902-6-8	3/8	9/16-18	1/2	-	-	-	-
6902-8-6	1/2	3/4-16	3/8	-	-	-	-
6902-8-8	1/2	3/4-16	1/2	1-1/8	13/16	1	31/64
6902-8-12	1/2	3/4-16	3/4	-	-	-	-
6902-10-6	5/8	7/8-14	3/8	-	-	-	-
6902-10-8	5/8	7/8-14	1/2	-	-	-	-
6902-10-12	5/8	7/8-14	3/4	-	-	-	-
6902-12-8	3/4	1-1/16-12	1/2	-	-	-	-
6902-12-12	3/4	1-1/16-12	3/4	1-1/2	31/32	1-1/4	21/32
6902-16-16	1	1-5/16-12	1	-	-	-	-
6902-20-20	1-1/4	1-5/8-12	1-1/4	-	-	-	-
6902-24-24	1-1/2	1-7/8-12	1-1/2	-	-	-	-

O-Ring Face Seal Adapters

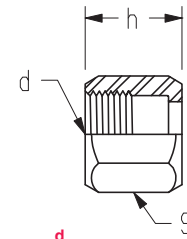


FF304-C CAP NUT



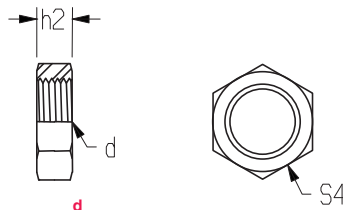
Part Number	Tube OD	d UN/UNF-2B	L20	L38	S
FF304-C-4	1/4	9/16 - 18	.31	.34	.69
FF304-C-6	3/8	11/16 - 16	.33	.37	.81
FF304-C-8	1/2	13/16 - 16	.39	.47	.94
FF304-C-10	5/8	1 - 14	.49	.47	1.13
FF304-C-12	3/4	1-3/16 - 12	.54	.53	1.38
FF304-C-16	1	1-7/16 - 12	.53	.59	1.63
FF304-C-20	1-1/4	1-11/16 - 12	.53	.59	1.88
FF304-C-24	1-1/2	2 - 12	.53	.59	2.25

FF318 TUBE NUT



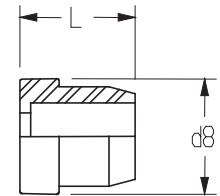
Part Number	Tube OD	d UN/UNF-2B	h2	S4
FF318-4	1/4	9/16 - 18	.58	.69
FF318-6	3/8	11/16 - 16	.67	.81
FF318-8	1/2	13/16 - 16	.83	.94
FF318-10	5/8	1 - 14	.93	1.13
FF318-12	3/4	1-3/16 - 12	1.02	1.38
FF318-16	1	1-7/16 - 12	1.10	1.63
FF318-20	1-1/4	1-11/16 - 12	1.10	1.88
FF318-24	1-1/2	2 - 12	1.10	2.25

FF306 BULKHEAD LOCK NUT



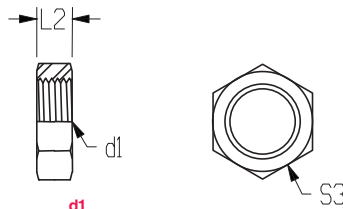
Part Number	Tube OD	d UN/UNF-2B	h2	S4
FF306-4 LN	1/4	9/16 - 18	.27	.81
FF306-6 LN	3/8	11/16 - 16	.31	1.00
FF306-8 LN	1/2	13/16 - 16	.35	1.13
FF306-10 LN	5/8	1 - 14	.41	1.31
FF306-12 LN	3/4	1-3/16 - 12	.41	1.50
FF306-16 LN	1	1-7/16 - 12	.41	1.75
FF306-20 LN	1-1/4	1-11/16 - 12	.41	2.00
FF306-24 LN	1-1/2	2 - 12	.41	2.38

FF319 TUBE SLEEVE



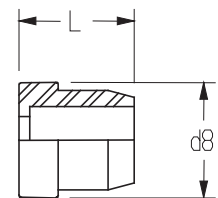
Part Number	Tube OD	L	d8
FF319-4 UNPL	1/4	.37	.50
FF319-6-4 UNPL	3/8-1/4	.41	.62
FF319-6 UNPL	3/8	.37	.62
FF319-8 UNPL	1/2	.37	.75
FF319-10 UNPL	5/8	.41	.92
FF319-12 UNPL	3/4	.55	1.10
FF319-16 UNPL	1	.61	1.35
FF319-20 UNPL	1-1/4	.61	1.60
FF319-24 UNPL	1-1/2	.61	1.71

FF306-N ADJUSTABLE LOCK NUT



Part Number	Tube OD	d1 UN/UNF-2B	L2	S3
FF306-N-4	1/4	7/16 - 20	.31	.63
FF306-N-6	3/8	9/16 - 18	.33	.75
FF306-N-8	1/2	3/4 - 16	.41	.94
FF306-N-10	5/8	7/8 - 14	.45	1.06
FF306-N-12	3/4	1-1/16 - 12	.50	1.38
FF306-N-14	7/8	1-3/16 - 12	.50	1.50
FF306-N-16	1	1-7/16 - 12	.54	1.63
FF306-N-20	1-1/4	1-5/8 - 12	.54	1.88
FF306-N-24	1-1/2	1-7/8 - 12	.54	2.13

FF320 TUBE SLEEVE

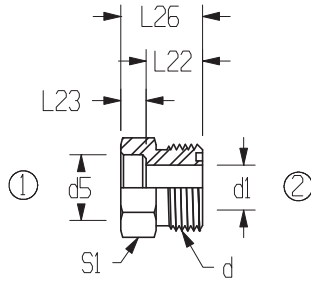


Part Number	Tube OD	L	d8
FF320-6	3/8	.34	.62
FF320-10	5/8	.42	.92
FF320-12	3/4	.48	1.09
FF320-16	1	.53	1.34
FF320-24	1-1/2	.49	1.91



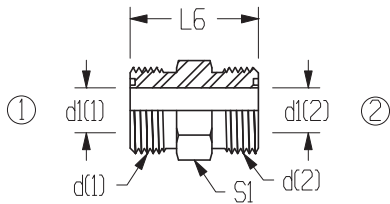
O-Ring Face Seal Adapters

FF403 BRAZE TUBE UNION



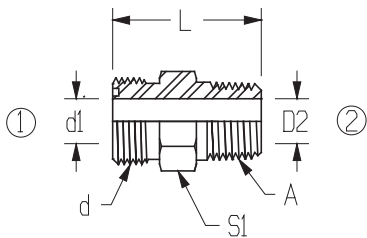
Part Number	Tube OD	d UN/UNF-2A	L26	L22	L23	S1	d1	d5
FF403-4-4	1/4-1/4	9/16 - 18	.86	.53	.33	.63	.17	.26
FF403-6-6	3/8-3/8	11/16 - 16	.90	.57	.33	.75	.26	.38
FF403-6-8	3/8-1/2	13/16 - 16	.97	.64	.33	.88	.26	.38
FF403-10-10	5/8-5/8	1 - 14	1.07	.74	.33	1.06	.48	.63
FF403-12-12	3/4-3/4	1-3/16 - 12	1.32	.83	.49	1.25	.61	.76
FF403-16-12	1-3/4	1-3/16 - 12	1.52	.97	.55	1.50	.61	1.01
FF403-16-16	1-1	1-7/16 - 12	1.52	.97	.55	1.50	.81	1.01
FF403-20-20	1-1/4 - 1-1/4	1-11/16 - 12	1.52	.97	.55	1.75	1.02	1.26
FF403-24-20	1-1/2 - 1-1/4	1-11/16 - 12	1.52	.97	.55	2.13	1.02	1.51

FF2403 MALE TUBE UNION



Part Number	Tube OD	d UN/UNF-2A	UN/UNF-2A	L22	L23	S1	d1
FF2403-4-4-O	1/4 - 1/4	9/16 - 18	9/16 - 18	1.08	.63	.17	.17
FF2403-6-4-O	3/8 - 1/4	11/16 - 16	9/16 - 18	1.17	.75	.26	.17
FF2403-6-6-O	3/8 - 3/8	11/16 - 16	11/16 - 16	1.22	.75	.26	.26
FF2403-8-6-O	1/2 - 3/8	13/16 - 16	11/16 - 16	1.33	.88	.38	.26
FF2403-8-8-O	1/2 - 1/2	13/16 - 16	13/16 - 16	1.39	.88	.38	.38
FF2403-10-8-O	5/8 - 1/2	1 - 14	13/16 - 16	1.57	1.06	.48	.38
FF2403-10-10-O	5/8 - 5/8	1 - 14	1 - 14	1.68	1.06	.48	.48
FF2403-12-8-O	3/4 - 1/2	1-3/16 - 12	13/16 - 16	1.69	1.25	.61	.38
FF2403-12-10-O	3/4 - 5/8	1-3/16 - 12	1 - 14	1.80	1.25	.61	.48
FF2403-12-12-O	3/4 - 3/4	1-3/16 - 12	1-3/16 - 12	1.86	1.25	.61	.61
FF2403-16-12-O	1 - 3/4	1-7/16 - 12	1-3/16 - 12	1.92	1.50	.81	.61
FF2403-16-16-O	1 - 1	1-7/16 - 12	1-7/16 - 12	1.94	1.50	.81	.81
FF2403-20-16-O	1-1/4 - 1	1-11/16 - 12	1-7/16 - 12	2.02	1.75	1.02	.81
FF2403-20-20-O	1-1/4 - 1-1/4	1-11/16 - 12	1-11/16 - 12	2.02	1.75	1.02	1.02
FF2403-24-24-O	1-1/2 - 1-1/2	2 - 12	2 - 12	2.09	2.13	1.26	1.26

FF2404 MALE CONNECTOR



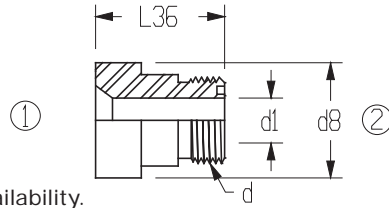
Part Number	Tube OD	d UN/UNF-2A	A NPTF	L	S1	d1	D2
FF2404-4-2-O	1/4	9/16 - 18	1/8 - 27	1.08	.63	.17	.17
FF2404-4-4-O	1/4	9/16 - 18	1/4 - 18	1.28	.63	.17	.17
FF2404-4-6-O	1/4	9/16 - 18	3/8 - 18	1.35	.75	.17	.17
FF2404-6-2-O	3/8	11/16 - 16	1/8 - 27	1.13	.75	.26	.19
FF2404-6-4-O	3/8	11/16 - 16	1/4 - 18	1.36	.75	.26	.26
FF2404-6-6-O	3/8	11/16 - 16	3/8 - 18	1.36	.75	.26	.26
FF2404-6-8-O	3/8	11/16 - 16	1/2 - 14	1.57	.88	.26	.26
FF2404-8-6-O	1/2	13/16 - 12	3/8 - 18	1.47	.88	.38	.38
FF2404-8-8-O	1/2	13/16 - 16	1/2 - 14	1.66	.88	.38	.38
FF2404-8-12-O	1/2	13/16 - 16	3/4 - 14	1.79	1.13	.38	.38
FF2404-10-8-O	5/8	1 - 14	1/2 - 14	1.84	1.06	.48	.48
FF2404-10-12-O	5/8	1 - 14	3/4 - 14	1.84	1.13	.48	.48
FF2404-12-8-O	3/4	1-3/16 - 12	1/2 - 14	1.96	1.25	.61	.53
FF2404-12-12-O	3/4	1-3/16 - 12	3/4 - 14	1.96	1.25	.61	.61
FF2404-12-16-O	3/4	1-3/16 - 12	1 - 11-1/2	2.19	1.38	.61	.61
FF2404-16-12-O	1	1-7/16 - 12	3/4 - 14	2.02	1.50	.81	.72
FF2404-16-16-O	1	1-7/16 - 12	1 - 11-1/2	2.21	1.50	.81	.81
FF2404-20-16-O	1-1/4	1-11/16 - 12	1 - 11-1/2	2.29	1.75	1.02	.94
FF2404-20-20-O	1-1/4	1-11/16 - 12	1-1/4 - 11-1/2	2.32	1.88	1.02	1.02
FF2404-24-24-O	1-1/2	2 - 12	1-1/2 - 11-1/2	2.42	2.13	1.26	1.26

O-Ring Face Seal Adapters



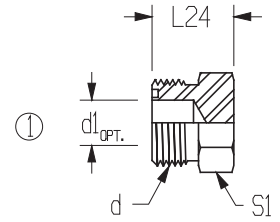
FF2407 REDUCING ADAPTER

Available with or without nut.
Call customer service for availability.



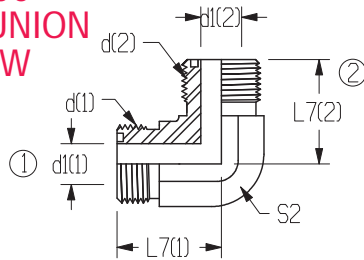
Part Number	Tube OD	D UN/UNF-2A	L36	d8	d1
FF2407-6-4-O	3/8 - 1/4	9/16 - 18	.77	.62	.17
FF2407-8-4-O	1/2 - 1/4	9/16 - 18	.86	.75	.17
FF2407-8-6-O	1/2 - 3/8	11/16 - 16	.88	.75	.26
FF2407-10-4-O	5/8 - 1/4	9/16 - 18	.90	.92	.17
FF2407-10-6-O	5/8 - 3/8	11/16 - 16	.95	.92	.26
FF2407-10-8-O	5/8 - 1/2	13/16 - 16	1.01	.92	.38
FF2407-12-4-O	3/4 - 1/4	9/16 - 18	.98	1.10	.17
FF2407-12-6-O	3/4 - 3/8	11/16 - 16	1.03	1.10	.26
FF2407-12-8-O	3/4 - 1/2	13/16 - 16	1.09	1.10	.38
FF2407-16-8-O	1 - 1/2	13/16 - 16	1.15	1.35	.38
FF2407-12-10-O	3/4 - 5/8	1 - 14	1.16	1.09	.48
FF2407-16-12-O	1 - 3/4	1-3/16 - 12	1.30	1.35	.61
FF2407-20-12-O	1-1/4 - 3/4	1-3/16 - 12	1.32	1.60	.61
FF2407-20-16-O	1-1/4 - 1	1-7/16 - 12	1.34	1.57	.81
FF2407-24-16-O	1-1/2 - 1	1-7/16 - 12	1.34	1.91	.81

FF2408 MALE TUBE PLUG



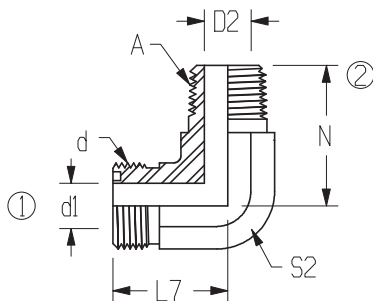
Part Number	Tube OD	d UN/UNF-2A	L24	S1	d1 (OPT)
FF2408-4-O	1/4	9/16 - 18	.66	.63	.17
FF2408-6-O	3/8	11/16 - 16	.75	.75	.26
FF2408-8-O	1/2	13/16 - 16	.85	.88	.38
FF2408-10-O	5/8	1 - 14	1.02	1.06	.48
FF2408-12-O	3/4	1-3/16 - 12	1.08	1.25	.61
FF2408-16-O	1	1-7/16 - 12	1.10	1.50	.81
FF2408-20-O	1-1/4	1-11/16 - 12	1.10	1.75	1.02
FF2408-24-O	1-1/2	2 - 12	1.10	2.13	1.26

FF2500 90° UNION ELBOW



Part Number	Tube OD	d (1) UN/UNF-2A	d (2) UN/UNF-2A	L7 (1)	L7 (2)	S2	d1 (1)	d1 (2)
FF2500-4-4-O	1/4 - 1/4	9/16 - 18	9/16 - 18	.85	.85	.56	.17	.17
FF2500-6-6-O	3/8 - 3/8	11/16 - 16	11/16 - 16	.98	.98	.75	.26	.26
FF2500-8-8-O	1/2 - 1/2	13/16 - 16	13/16 - 16	1.10	1.10	.75	.38	.38
FF2500-10-10-O	5/8 - 5/8	1 - 14	1 - 14	1.31	1.31	1.06	.48	.48
FF2500-12-12-O	3/4 - 3/4	1-3/16 - 12	1-3/16 - 12	1.47	1.47	1.19	.61	.61
FF2500-16-16-O	1 - 1	1-7/16 - 12	1-7/16 - 12	1.64	1.64	1.44	.81	.81
FF2500-20-20-O	1-1/4 - 1-1/4	1-11/16 - 12	1-11/16 - 12	1.76	1.76	1.63	1.02	1.02
FF2500-24-24-O	1-1/2 - 1-1/2	2 - 12	2 - 12	1.92	1.92	1.88	1.26	1.26

FF2501 90° MALE ELBOW

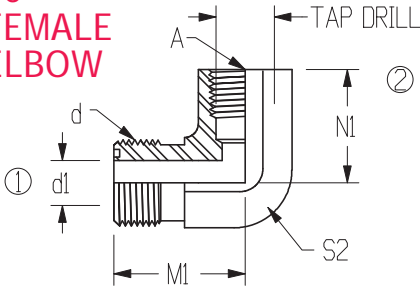


Part Number	Tube OD	d UN/UNF-2A	A NPTF	L7	N	S2	d1	D2
FF2501-4-2-O	1/4	9/16-18	1/8-27	.85	.80	.55	.17	.19
FF2501-4-4-O	1/4	9/16-18	1/4-18	.85	1.12	.56	.17	.28
FF2501-4-6-O	1/4	9/16-18	3/8-18	.85	1.22	.75	.17	.41
FF2501-6-4-O	3/8	11/16-16	1/4-18	.98	1.09	.75	.26	.28
FF2501-6-6-O	3/8	11/16-16	3/8-18	1.04	1.22	.75	.26	.41
FF2501-6-8-O	3/8	11/16-16	1/2-14	1.15	1.47	.88	.26	.53
FF2501-8-6-O	1/2	13/16-16	3/8-18	1.10	1.22	.75	.38	.41
FF2501-8-8-O	1/2	13/16-16	1/2-14	1.10	1.47	.94	.38	.53
FF2501-10-8-O	5/8	1-14	1/2-14	1.31	1.47	.94	.48	.53
FF2501-10-12-O	5/8	1-14	3/4-14	1.59	1.41	1.06	.48	.72
FF2501-12-8-O	3/4	1 3/16-12	1/2-14	1.59	1.47	1.19	.61	.53
FF2501-12-12-O	3/4	13/16-12	3/4-14	1.47	1.59	1.18	.61	.72
FF2501-12-16-O	3/4	1 3/16-12	1-11 1/2	1.62	2.01	1.44	.61	.94
FF2501-16-12-O	1	1 7/16-12	3/4-14	1.64	1.78	1.44	.81	.72
FF2501-16-16-O	1	1 7/16-12	1-11 1/2	1.64	2.01	1.44	.81	.94
FF2501-16-20-O	1	1 7/16-12	1 1/4-11 1/2	1.76	2.38	1.63	.81	1.25
FF2501-20-16-O	1 1/4	1 11/16-12	1-11 1/2	1.76	2.01	1.63	1.02	.94
FF2501-20-20-O	1 1/4	1 11/16-12	1 1/4-11 1/2	1.76	2.38	1.63	1.02	1.25
FF2501-20-24-O	1 1/4	1 11/16-12	1 1/2-11 1/2	1.92	2.43	1.88	1.02	1.50
FF2501-24-20-O	1 1/2	2-12	1 1/4-11 1/2	1.92	2.40	1.88	1.26	1.25
FF2501-24-24-O	1 1/2	2-12	1 1/2-11 1/2	1.92	2.43	1.88	1.26	1.50



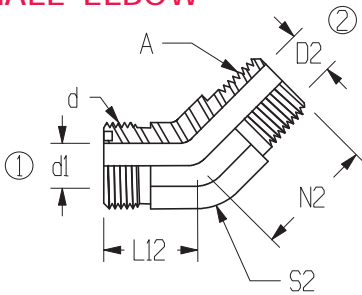
O-Ring Face Seal Adapters

FF2502 90° FEMALE ELBOW



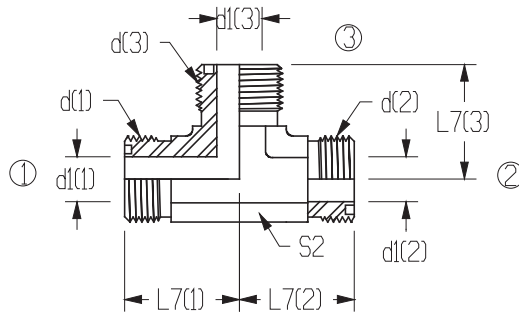
Part Number	Tube OD	d UN/UNF-2A	A NPTF	M1	N1	S2	d1	Tap Drill
FF2502-12-12-O	3/4	1-3/16 - 12	3/4 - 14	1.64	1.36	1.44	.61	.91
FF2502-16-16-O	1	1-7/16 - 12	1 - 11-1/2	1.76	1.62	1.63	.81	1.14
FF2502-20-20-O	1-1/4	1-11/16 - 12	1-1/4 - 11-1/2	1.92	1.70	1.88	1.02	1.48

FF2503 45° MALE ELBOW



Part Number	Tube OD	D UN/UNF-2A	A NPTF	L12	N2	S2	d1	D2
FF2503-4-2-O	1/4	9/16 - 18	1/8 - 27	.63	.64	.55	.17	.19
FF2503-4-4-O	1/4	9/16 - 18	1/4 - 18	.68	.86	.55	.17	.28
FF2503-4-6-O	1/4	9/16 - 18	3/8 - 18	.68	.95	.75	.17	.41
FF2503-6-4-O	3/8	11/16 - 16	1/4 - 18	.74	.86	.75	.26	.28
FF2503-6-6-O	3/8	11/16 - 16	3/8 - 18	.74	.95	.75	.26	.41
FF2503-6-8-O	3/8	11/16 - 16	1/2 - 14	.74	1.17	.87	.26	.53
FF2503-8-6-O	1/2	13/16 - 16	3/8 - 18	.80	.95	.75	.38	.41
FF2503-8-8-O	1/2	13/16 - 16	1/2 - 14	.80	1.17	.75	.38	.53
FF2503-10-8-O	5/8	1 - 14	1/2 - 14	.92	1.17	1.06	.48	.53
FF2503-12-12-O	3/4	1-3/16 - 12	3/4 - 14	1.02	1.30	1.18	.61	.72
FF2503-12-16-O	3/4	1-3/16 - 12	1 - 11-1/2	1.02	1.48	1.42	.61	.94
FF2503-16-12-O	1	1-7/16 - 12	3/4 - 14	1.18	1.30	1.42	.81	.72
FF2503-16-16-O	1	1-7/16 - 12	1 - 11-1/2	1.18	1.48	1.42	.81	.94
FF2503-16-20-O	1	1-7/16 - 12	1-1/4 - 11-1/2	1.18	1.66	1.61	.81	1.25
FF2503-20-16-O	1-1/4	1-11/16 - 12	1 - 11-1/2	1.28	1.63	1.61	1.02	.94
FF2503-20-20-O	1-1/4	1-11/16 - 12	1-1/4 - 11-1/2	1.28	1.67	1.61	1.02	1.25

FF2603 UNION TEE



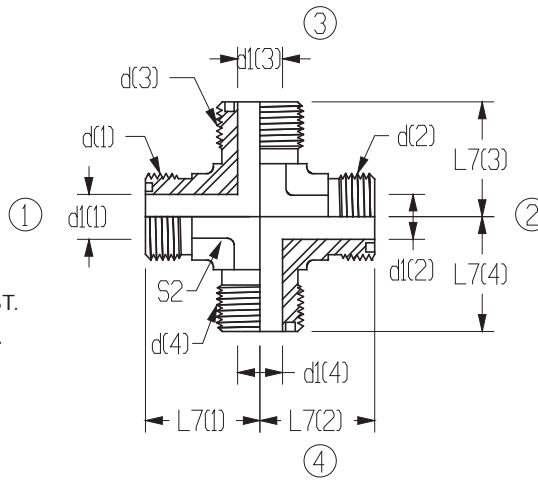
Part Number	Tube OD	d (1) UN/UNF-2A	d (2) UN/UNF-2A	d (3) UN/UNF-2A	L7 (1)	L7 (2)	L7 (3)	S2	d1 (1)	d1 (2)	d1 (3)
FF2603-4-4-4-O	1/4 - 1/4 - 1/4	9/16 - 18	9/16 - 18	9/16 - 18	.85	.85	.85	.56	.17	.17	.17
FF2603-6-6-6-O	3/8 - 3/8 - 3/8	11/16 - 16	11/16 - 16	11/16 - 16	.98	.98	.98	.75	.26	.26	.26
FF2603-8-8-6-O	1/2 - 1/2 - 3/8	13/16 - 16	13/16 - 16	11/16 - 16	1.10	1.10	1.04	.75	.38	.38	.26
FF2603-8-8-8-O	1/2 - 1/2 - 1/2	13/16 - 16	13/16 - 16	13/16 - 16	1.10	1.10	1.10	.75	.38	.38	.38
FF2603-8-8-10-O	1/2 - 1/2 - 5/8	13/16 - 16	13/16 - 16	1 - 14	.38	.38	.49	1.06	.38	.38	.49
FF2603-10-6-10-O	5/8 - 3/8 - 5/8	1 - 14	11/16 - 16	1 - 14	1.31	1.15	1.31	1.06	.49	.26	.49
FF2603-10-10-10-O	5/8 - 5/8 - 5/8	1 - 14	1 - 14	1 - 14	1.31	1.31	1.31	1.06	.49	.49	.49
FF2603-12-12-12-O	3/4 - 3/4 - 3/4	1-3/16 - 12	1-3/16 - 12	1-3/16 - 12	1.47	1.47	1.47	1.19	.61	.61	.61
FF2603-16-16-10-O	1 - 1 - 5/8	1-7/16 - 12	1-7/16 - 12	1 - 14	1.64	1.64	1.56	1.42	.81	.81	.49
FF2603-16-16-12-O	1 - 1 - 3/4	1-7/16 - 12	1-7/16 - 12	1-3/16 - 12	1.64	1.64	1.62	1.42	.81	.81	.61
FF2603-16-16-16-O	1 - 1 - 1	1-7/16 - 12	1-7/16 - 12	1-7/16 - 12	1.64	1.64	1.64	1.44	.81	.81	.81
FF2603-20-20-20-O	1-1/4 - 1-1/4 - 1-1/4	1-11/16 - 12	1-11/16 - 12	1-11/16 - 12	1.76	1.76	1.76	1.61	1.02	1.02	1.02
FF2603-24-24-24-O	1-1/2 - 1-1/2 - 1-1/2	2 - 12	2 - 12	2 - 12	1.92	1.92	1.92	1.97	1.26	1.26	1.26

O-Ring Face Seal Adapters

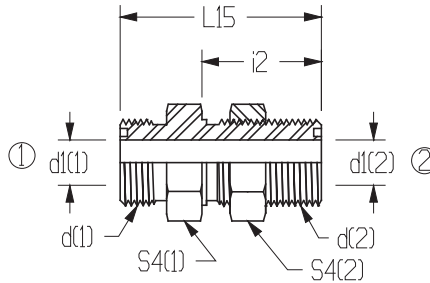


FF2650 UNION CROSS

INFORMATION AVAILABLE UPON REQUEST.
CALL CUSTOMER SERVICE FOR DETAILS.



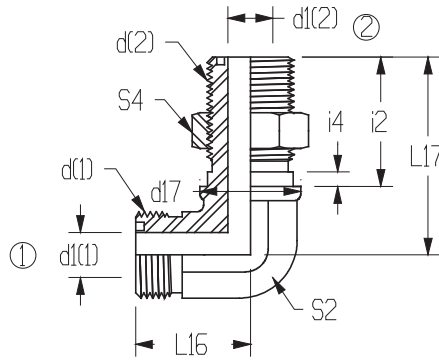
FF2700 BULKHEAD UNION



Part Number	Tube OD	d (1) UN/UNF-2A	d (2) UN/UNF-2A	L15	i2	S4 (1)	S4 (2)	d1 (1)	d1 (2)
FF2700-4-4-O	1/4 - 1/4	9/16 - 18	9/16 - 18	1.90	1.24	.81	.81	.17	.17
FF2700-6-6-O	3/8 - 3/8	11/16 - 16	11/16 - 16	2.09	1.34	1.00	1.00	.26	.26
FF2700-8-8-O	1/2 - 1/2	13/16 - 16	13/16 - 16	2.30	1.44	1.13	1.13	.38	.38
FF2700-10-10-O	5/8 - 5/8	1 - 14	1 - 14	2.62	1.60	1.31	1.31	.48	.48
FF2700-12-12-O	3/4 - 3/4	1-3/16 - 12	1-3/16 - 12	2.72	1.64	1.50	1.50	.61	.61
FF2700-16-16-O	1 - 1	1-7/16 - 12	1-7/16 - 12	2.76	1.66	1.75	1.75	.81	.81
FF2700-20-20-O	1-1/4 - 1-1/4	1-11/16 - 12	1-11/16 - 12	2.76	1.66	2.00	2.00	1.02	1.02
FF2700-24-24-O	1-1/2 - 1-1/2	2 - 12	2 - 12	2.76	1.66	2.38	2.38	1.26	1.26

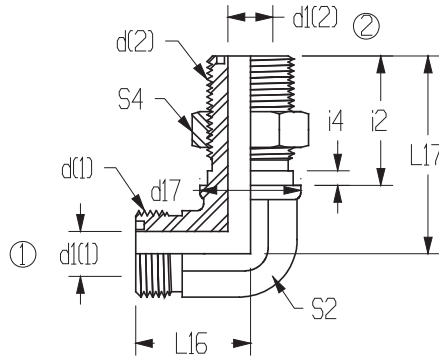


O-Ring Face Seal Adapters



FF2701
90°
BULKHEAD ELBOW

Part Number	Tube OD	d (1) UN/UNF-2A	d (2) UN/UNF-2A	L16	L17	i2	i4	d17	S4	S2	d1 (1)	d1 (2)
FF2701-4-4-O	1/4 - 1/4	9/16 - 18	9/16 - 18	.89	1.85	1.24	.06	.69	.81	.56	.17	.17
FF2701-6-6-O	3/8 - 3/8	11/16 - 16	11/16 - 16	1.02	2.05	1.30	.06	.87	1.00	.75	.26	.26
FF2701-8-8-O	1/2 - 1/2	13/16 - 16	13/16 - 16	1.14	2.18	1.37	.06	1.00	1.13	.75	.38	.38
FF2701-10-10-O	5/8 - 5/8	1 - 14	1 - 14	1.36	2.48	1.54	.06	1.19	1.31	1.06	.48	.48
FF2701-12-12-O	3/4 - 3/4	1-3/16 - 12	1-3/16 - 12	1.52	2.65	1.59	.06	1.37	1.50	1.19	.61	.61
FF2701-16-16-O	1 - 1	1-7/16 - 12	1-7/16 - 12	1.67	2.80	1.61	.06	1.62	1.75	1.44	.81	.81
FF2701-20-16-O	1-1/4 - 1	1-11/16 - 12	1-7/16 - 12	1.79	2.97	1.60	.06	1.62	1.75	1.61	1.02	.81
FF2701-20-20-O	1-1/4 - 1-1/4	1-11/16 - 12	1-11/16 - 12	1.79	2.97	1.66	.06	1.87	2.00	1.61	1.02	1.02
FF2701-24-24-O	1-1/2 - 1-1/2	2 - 12	2 - 12	1.95	3.13	1.66	.06	2.19	2.38	1.87	1.26	1.26



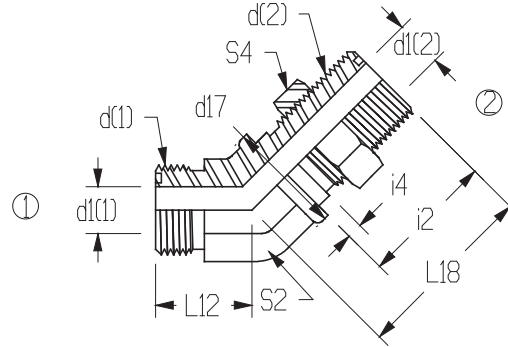
FF2701
90°
BULKHEAD ELBOW
W/LOCK NUT

Part Number	Tube OD	d (1) UN/UNF-2A	d (2) UN/UNF-2A	L16	L17	i2	i4	d17	S4	S2	d1 (1)	d1 (2)
FF2701-4-4-LN-O	1/4 - 1/4	9/16 - 18	9/16 - 18	.89	1.85	1.24	.06	.69	.81	.56	.17	.17
FF2701-6-6-LN-O	3/8 - 3/8	11/16 - 16	11/16 - 16	1.02	2.05	1.30	.06	.87	1.00	.75	.26	.26
FF2701-8-8-LN-O	1/2 - 1/2	13/16 - 16	13/16 - 16	1.14	2.18	1.37	.06	1.00	1.13	.75	.38	.38
FF2701-10-10-LN-O	5/8 - 5/8	1 - 14	1 - 14	1.36	2.48	1.54	.06	1.19	1.31	1.06	.48	.48
FF2701-12-12-LN-O	3/4 - 3/4	1-3/16 - 12	1-3/16 - 12	1.52	2.65	1.59	.06	1.37	1.50	1.19	.61	.61
FF2701-16-16-LN-O	1 - 1	1-7/16 - 12	1-7/16 - 12	1.67	2.80	1.61	.06	1.62	1.75	1.44	.81	.81
FF2701-20-16-LN-O	1-1/4 - 1	1-11/16 - 12	1-7/16 - 12	1.79	2.97	1.60	.06	1.62	1.75	1.61	1.02	.81
FF2701-20-20-LN-O	1-1/4 - 1-1/4	1-11/16 - 12	1-11/16 - 12	1.79	2.97	1.66	.06	1.87	2.00	1.61	1.02	1.02
FF2701-24-24-LN-O	1-1/2 - 1-1/2	2 - 12	2 - 12	1.95	3.13	1.66	.06	2.19	2.38	1.87	1.26	1.26

O-Ring Face Seal Adapters

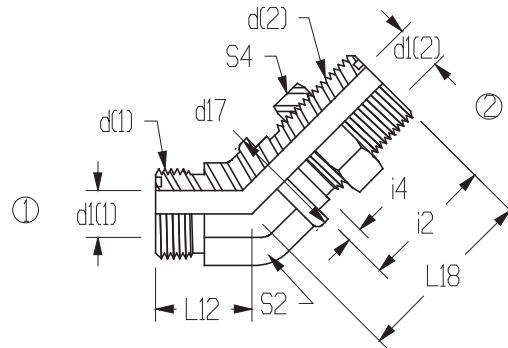


FF2702 45° BULKHEAD ELBOW



Part Number	Tube OD	d (1) UN/UNF-2A	d (2) UN/UNF-2A	L12	L18	i2	i4	d17	S4	S2	d1 (1)	d1 (2)
FF2702-4-4-O	1/4 - 1/4	9/16 - 18	9/16 - 18	.63	1.73	1.24	.06	.69	.81	.56	.17	.17
FF2702-6-6-O	3/8 - 3/8	11/16 - 16	11/16 - 16	.74	1.91	1.30	.06	.87	1.00	.75	.26	.26
FF2702-8-8-O	1/2 - 1/2	13/16 - 16	13/16 - 16	.80	2.01	1.37	.06	1.00	1.13	.75	.38	.38
FF2702-10-10-O	5/8 - 5/8	1 - 14	1 - 14	.92	2.23	1.54	.06	1.19	1.31	1.06	.48	.48
FF2702-12-12-O	3/4 - 3/4	1-3/16 - 12	1-3/16 - 12	1.02	2.39	1.59	.06	1.37	1.50	1.19	.61	.61
FF2702-16-16-O	1 - 1	1-7/16 - 12	1-7/16 - 12	1.18	2.57	1.61	.06	1.62	1.75	1.44	.81	.81
FF2702-20-20-O	1-1/4 - 1-1/4	1-11/16 - 12	1-11/16 - 12	1.26	2.64	1.66	.06	1.87	2.00	1.61	1.02	1.02
FF2702-24-24-O	1-1/2-1-1/2	2 - 12	2 - 12	1.45	2.64	1.66	.06	2.19	2.38	1.87	1.26	1.26

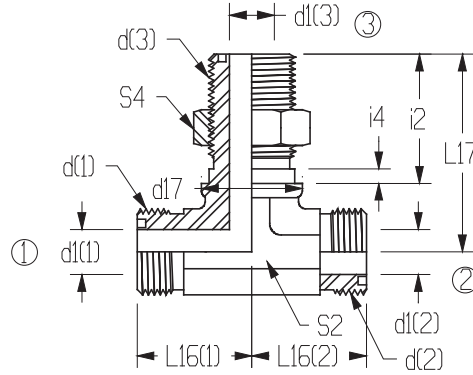
FF2702 45° BULKHEAD ELBOW W/LOCK NUT



Part Number	Tube OD	d (1) UN/UNF-2A	d (2) UN/UNF-2A	L12	L18	i2	i4	d17	S4	S2	d1 (1)	d1 (2)
FF2702-4-4-LN-O	1/4 - 1/4	9/16 - 18	9/16 - 18	.63	1.73	1.24	.06	.69	.81	.56	.17	.17
FF2702-6-6-LN-O	3/8 - 3/8	11/16 - 16	11/16 - 16	.74	1.91	1.30	.06	.87	1.00	.75	.26	.26
FF2702-8-8-LN-O	1/2 - 1/2	13/16 - 16	13/16 - 16	.80	2.01	1.37	.06	1.00	1.13	.75	.38	.38
FF2702-10-10-LN-O	5/8 - 5/8	1 - 14	1 - 14	.92	2.23	1.54	.06	1.19	1.31	1.06	.48	.48
FF2702-12-12-LN-O	3/4 - 3/4	1-3/16 - 12	1-3/16 - 12	1.02	2.39	1.59	.06	1.37	1.50	1.19	.61	.61
FF2702-16-16-LN-O	1 - 1	1-7/16 - 12	1-7/16 - 12	1.18	2.57	1.61	.06	1.62	1.75	1.44	.81	.81
FF2702-20-20-LN-O	1-1/4 - 1-1/4	1-11/16 - 12	1-11/16 - 12	1.26	2.64	1.66	.06	1.87	2.00	1.61	1.02	1.02
FF2702-24-24-LN-O	1-1/2-1-1/2	2 - 12	2 - 12	1.45	2.64	1.66	.06	2.19	2.38	1.87	1.26	1.26

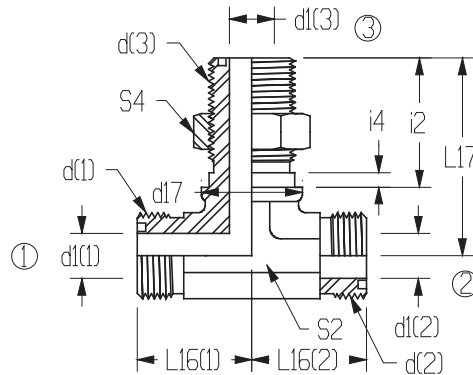


O-Ring Face Seal Adapters



FF2703 BULKHEAD BRANCH TEE

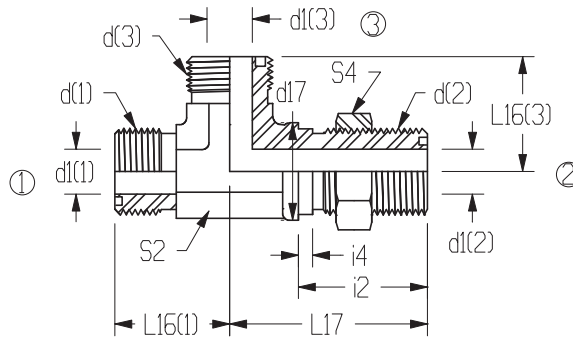
Part Number	Tube OD	d (1) UN/UNF-2A	d (2) UN/UNF-2A	d (3) UN/UNF-2A	L16 (1)	L16 (2)	L17	i2	i4	d17	S4	S2	d1 (1)	d1 (2)	d1 (3)
FF2703-4-4-4-O	1/4 - 1/4 - 1/4	9/16 - 18	9/16 - 18	9/16 - 18	.89	.89	1.85	1.24	.06	.69	.81	.56	.17	.17	.17
FF2703-6-6-6-O	3/8 - 3/8 - 3/8	11/16 - 16	11/16 - 16	11/16 - 16	1.02	1.02	2.05	1.30	.06	.87	1.00	.75	.26	.26	.26
FF2703-8-8-8-O	1/2 - 1/2 - 1/2	13/16 - 16	13/16 - 16	13/16 - 16	1.14	1.14	2.18	1.37	.06	1.00	1.13	.75	.38	.38	.38
FF2703-10-10-10-O	5/8 - 5/8 - 5/8	1 - 14	1 - 14	1 - 14	1.36	1.36	2.48	1.54	.06	1.19	1.31	1.06	.48	.48	.48
FF2703-12-12-12-O	3/4 - 3/4 - 3/4	1-3/16 - 12	1-3/16 - 12	1-3/16 - 12	1.52	1.52	2.65	1.64	.13	1.37	1.50	1.18	.61	.61	.61



FF2703 BULKHEAD BRANCH TEE W/LOCK NUT

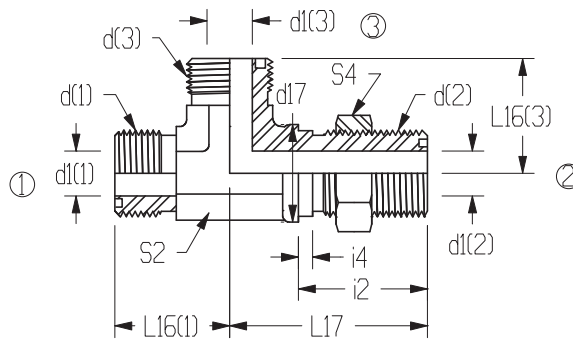
Part Number	Tube OD	d (1) UN/UNF-2A	d (2) UN/UNF-2A	d (3) UN/UNF-2A	L16 (1)	L16 (2)	L17	i2	i4	d17	S4	S2	d1 (1)	d1 (2)	d1 (3)
FF2703-4-4-4-LN-O	1/4 - 1/4 - 1/4	9/16 - 18	9/16 - 18	9/16 - 18	.89	.89	1.85	1.24	.06	.69	.81	.56	.17	.17	.17
FF2703-6-6-6-LN-O	3/8 - 3/8 - 3/8	11/16 - 16	11/16 - 16	11/16 - 16	1.02	1.02	2.05	1.30	.06	.87	1.00	.75	.26	.26	.26
FF2703-8-8-8-LN-O	1/2 - 1/2 - 1/2	13/16 - 16	13/16 - 16	13/16 - 16	1.14	1.14	2.18	1.37	.06	1.00	1.13	.75	.38	.38	.38
FF2703-10-10-10-LN-O	5/8 - 5/8 - 5/8	1 - 14	1 - 14	1 - 14	1.36	1.36	2.48	1.54	.06	1.19	1.31	1.06	.48	.48	.48
FF2703-12-12-12-LN-O	3/4 - 3/4 - 3/4	1-3/16 - 12	1-3/16 - 12	1-3/16 - 12	1.52	1.52	2.65	1.64	.13	1.37	1.50	1.18	.61	.61	.61

O-Ring Face Seal Adapters



FF2704 BULKHEAD RUN TEE

Part Number	Tube OD	d (1) UN/UNF-2A	d (2) UN/UNF-2A	d (3) UN/UNF-2A	L16 (1)	L16 (2)	L17	i2	i4	d17	S4	S2	d1 (1)	d1 (2)	d1 (3)
FF2704-4-4-4-O	1/4 - 1/4 - 1/4	9/16 - 18	9/16 - 18	9/16 - 18	.89	1.85	.89	1.24	.06	.81	.69	.56	.17	.17	.17
FF2704-6-6-6-O	3/8 - 3/8 - 3/8	11/16 - 16	11/16 - 16	11/16 - 16	1.02	2.05	1.02	1.30	.06	1.00	.87	.75	.26	.26	.26
FF2704-8-8-8-O	1/2 - 1/2 - 1/2	13/16 - 16	13/16 - 16	13/16 - 16	1.14	2.18	1.14	1.37	.06	1.13	1.00	.75	.38	.38	.38
FF2704-10-10-10-O	5/8 - 5/8 - 5/8	1 - 14	1 - 14	1 - 14	1.36	2.48	1.36	1.54	.06	1.31	1.19	1.06	.48	.48	.48
FF2704-12-12-12-O	3/4 - 3/4 - 3/4	1-3/16 - 12	1-3/16 - 12	1-3/16 - 12	1.52	2.65	1.52	1.59	.06	1.50	1.37	1.19	.61	.61	.61
FF2704-16-16-16-O	1 - 1 - 1	1-7/16 - 12	1-7/16 - 12	1-7/16 - 12	1.67	2.80	1.67	1.61	.06	1.75	1.62	1.44	.81	.81	.81



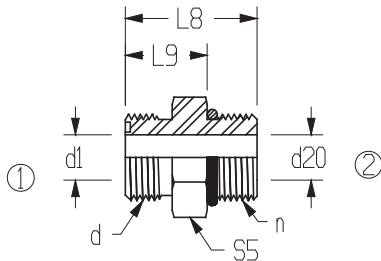
FF2704 BULKHEAD RUN TEE W/LOCK NUT

Part Number	Tube OD	d (1) UN/UNF-2A	d (2) UN/UNF-2A	d (3) UN/UNF-2A	L16 (1)	L16 (2)	L17	i2	i4	d17	S4	S2	d1 (1)	d1 (2)	d1 (3)
FF2704-4-4-4-LN-O	1/4 - 1/4 - 1/4	9/16 - 18	9/16 - 18	9/16 - 18	.89	1.85	.89	1.24	.06	.81	.69	.56	.17	.17	.17
FF2704-6-6-6-LN-O	3/8 - 3/8 - 3/8	11/16 - 16	11/16 - 16	11/16 - 16	1.02	2.05	1.02	1.30	.06	1.00	.87	.75	.26	.26	.26
FF2704-8-8-8-LN-O	1/2 - 1/2 - 1/2	13/16 - 16	13/16 - 16	13/16 - 16	1.14	2.18	1.14	1.37	.06	1.13	1.00	.75	.38	.38	.38
FF2704-10-10-10-LN-O	5/8 - 5/8 - 5/8	1 - 14	1 - 14	1 - 14	1.36	2.48	1.36	1.54	.06	1.31	1.19	1.06	.48	.48	.48
FF2704-12-12-12-LN-O	3/4 - 3/4 - 3/4	1-3/16 - 12	1-3/16 - 12	1-3/16 - 12	1.52	2.65	1.52	1.59	.06	1.50	1.37	1.19	.61	.61	.61
FF2704-16-16-16-LN-O	1 - 1 - 1	1-7/16 - 12	1-7/16 - 12	1-7/16 - 12	1.67	2.80	1.67	1.61	.06	1.75	1.62	1.44	.81	.81	.81



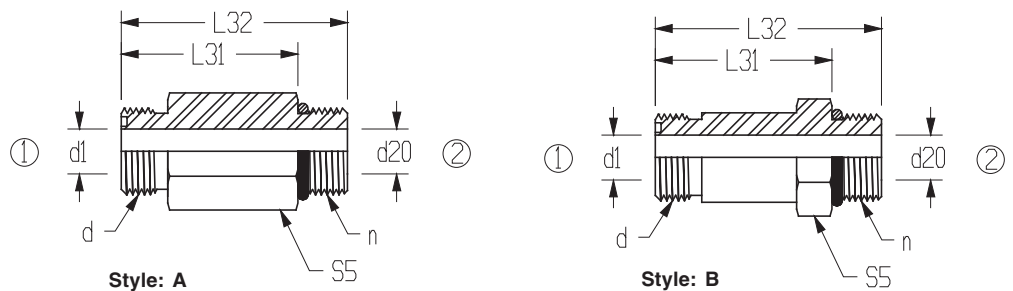
O-Ring Face Seal Adapters

FF6400 STRAIGHT THREAD CONNECTOR



Part Number	Tube OD	d UN/UNF-2A	n UN/UNF-2A	L8	L9	S5	d1	d20
FF6400-4-3-O	1/4	9/16 - 18	3/8 - 24	1.07	.70	.63	.17	.13
FF6400-4-4-O	1/4	9/16 - 18	7/16 - 20	1.13	.70	.63	.17	.17
FF6400-4-5-O	1/4	9/16 - 18	1/2 - 20	1.13	.70	.63	.17	.24
FF6400-4-6-O	1/4	9/16 - 18	9/16 - 18	1.20	.73	.69	.17	.17
FF6400-4-8-O	1/4	9/16 - 18	3/4 - 16	1.32	.77	.88	.17	.17
FF6400-6-4-O	3/8	11/16 - 16	7/16 - 20	1.34	.91	.75	.26	.17
FF6400-6-6-O	3/8	11/16 - 16	9/16 - 18	1.25	.78	.75	.26	.26
FF6400-6-8-O	3/8	11/16 - 16	3/4 - 16	1.38	.83	.88	.26	.26
FF6400-6-10-O	3/8	11/16 - 16	7/8 - 14	1.53	.90	1.00	.26	.26
FF6400-6-12-O	3/8	11/16 - 16	1-1/16 - 12	1.69	.96	1.25	.26	.26
FF6400-8-6-O	1/2	13/16 - 16	9/16 - 18	1.47	1.00	.88	.38	.26
FF6400-8-8-O	1/2	13/16 - 16	3/4 - 16	1.44	.89	.88	.38	.38
FF6400-8-10-O	1/2	13/16 - 16	7/8 - 14	1.59	.96	1.00	.38	.38
FF6400-8-12-O	1/2	13/16 - 16	1-1/16 - 12	1.75	1.02	1.25	.38	.38
FF6400-8-16-O	1/2	13/16 - 16	1-5/16 - 12	1.79	1.06	1.50	.38	.84
FF6400-10-8-O	5/8	1 - 14	3/4 - 16	1.78	1.23	1.06	.48	.39
FF6400-10-10-O	5/8	1 - 14	7/8 - 14	1.70	1.07	1.06	.48	.48
FF6400-10-12-O	5/8	1 - 14	1-1/16 - 12	1.86	1.13	1.25	.48	.48
FF6400-12-8-O	3/4	1-3/16 - 12	3/4 - 16	1.91	1.36	1.25	.61	.39
FF6400-12-10-O	3/4	1-3/16 - 12	7/8 - 14	1.99	1.36	1.25	.61	.48
FF6400-12-12-O	3/4	1-3/16 - 12	1-1/16 - 12	1.92	1.19	1.25	.61	.61
FF6400-12-16-O	3/4	1-3/16 - 12	1-5/16 - 12	1.96	1.23	1.50	.61	.61
FF6400-16-10-O	1	1-7/16 - 12	7/8 - 14	2.04	1.41	1.50	.81	.49
FF6400-16-12-O	1	1-7/16 - 12	1-1/16 - 12	2.14	1.41	1.50	.81	.61
FF6400-16-16-O	1	1-7/16 - 12	1-5/16 - 12	1.99	1.26	1.50	.81	.81
FF6400-16-20-O	1	1-7/16 - 12	1-5/8 - 12	2.06	1.33	1.88	.81	.81
FF6400-20-16-O	1 1/4	1-11/16 - 12	1-5/16 - 12	2.28	1.55	1.75	1.02	.84
FF6400-20-20-O	1 1/4	1-11/16 - 12	1-5/8 - 12	2.06	1.33	1.88	1.02	1.02
FF6400-20-24-O	1 1/4	1-11/16 - 12	1-7/8 - 12	2.13	1.40	2.13	1.02	1.02
FF6400-24-20-O	1 1/2	2 - 12	1-5/8 - 12	2.35	1.62	2.13	1.26	1.08
FF6400-24-24-O	1 1/2	2 - 12	1-7/8 - 12	2.22	1.40	2.13	1.26	1.26

FF6400-L STRAIGHT THREAD CONNECTOR LONG

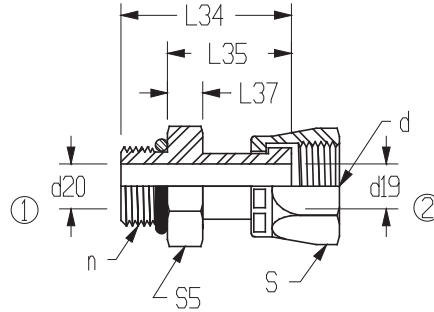


Part Number	Tube OD	d UN/UNF-2A	n UN/UNF-2A	L32	L31	S5	d1	d20
FF6400-L-4-4-O	1/4	9/16 - 18	7/16 - 20	2.07	1.64	.63	.17	.17
FF6400-L-6-6-O	3/8	11/16 - 18	9/16 - 18	2.27	1.80	.75	.26	.26
FF6400-L-8-8-O	1/2	13/16 - 16	3/4 - 16	2.67	2.12	.88	.38	.38
FF6400-L-10-10-O	5/8	1 - 14	7/8 - 14	3.13	2.50	1.06	.48	.48
FF6400-L-12-12-O	3/4	1-3/16 - 12	1-1/16 - 12	3.76	3.03	1.25	.61	.61
FF6400-L-16-16-O	1	1-7/16 - 12	1-5/16 - 12	4.14	3.41	1.50	.81	.81
FF6400-L-20-16-O	1-1/4	1-11/16 - 12	1-5/16 - 12	5.04	4.03	1.75	1.02	.85
FF6400-L-20-20-O	1-1/4	1-11/16 - 12	1-5/8 - 12	4.76	4.03	1.75	1.02	1.02
FF6400-L-24-24-O	1-1/2	2 - 12	1-7/8 - 12	5.26	4.53	2.13	1.26	1.26

O-Ring Face Seal Adapters

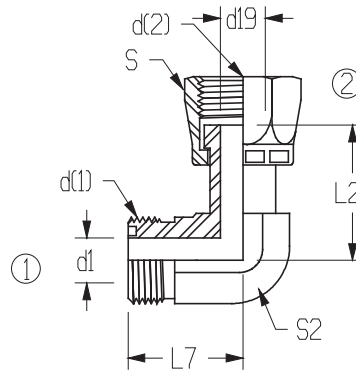


FF6402 STRAIGHT THREAD/ SWIVEL ADAPTER



Part Number	Tube OD	D		N		L34	L35	L37	S	S5	d19	d20
		UN/UNF-2A	UN/UNF-2A	UN/UNF-2A	UN/UNF-2A							
FF6402-4-4-O	1/4	7/16 - 20	9/16 - 18	1.49	1.03	.45	.69	.56	.17	.17		
FF6402-6-6-O	3/8	9/16 - 18	11/16 - 16	1.58	1.11	.42	.81	.75	.26	.26		
FF6402-8-8-O	1/2	3/4 - 16	13/16 - 16	1.94	1.39	.55	.94	.88	.38	.38		
FF6402-10-10-O	5/8	7/8 - 14	1 - 14	2.21	1.49	.55	1.13	1.06	.48	.48		
FF6402-12-12-O	3/4	1-1/16 - 12	13/16 - 12	2.35	1.62	.59	1.38	1.25	.61	.61		
FF6402-16-16-O	1	1-5/16 - 12	1-7/16 - 12	2.66	1.93	.82	1.63	1.50	.81	.81		
FF6402-20-20-O	1-1/4	1-5/8 - 12	1-11/16 - 12	2.69	1.93	.78	1.46	1.75	1.02	1.02		

FF6500 90° SWIVEL ELBOW

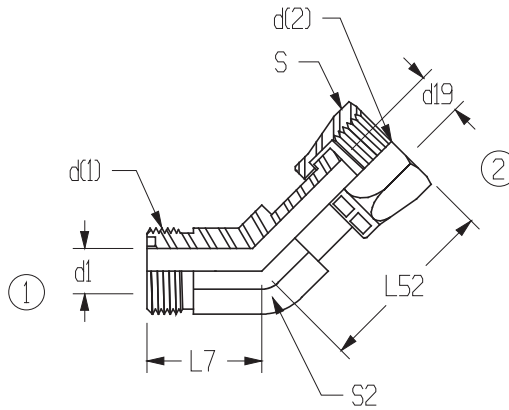


Part Number	Tube OD	d (1)		d (2)		L7	L52	S	S2	d1	d19
		UN/UNF-2A	UN/UNF-2A	UN/UNF-2B	UN/UNF-2B						
FF6500-4-4-O	1/4 - 1/4	9/16 - 18	9/16 - 18	.85	1.04	.69	.56	.17	.17		
FF6500-6-6-O	3/8 - 3/8	11/16 - 16	11/16 - 16	.98	1.15	.81	.75	.26	.26		
FF6500-8-8-O	1/2 - 1/2	13/16 - 16	13/16 - 16	1.10	1.49	.94	.75	.38	.36		
FF6500-10-10-O	5/8 - 5/8	1 - 14	1 - 14	1.31	1.62	1.13	1.06	.48	.45		
FF6500-10-16-O	5/8 - 1	1 - 14	1-7/16 - 12	1.56	2.10	1.63	1.44	.48	.78		
FF6500-12-12-O	3/4 - 3/4	1-3/16 - 12	1-3/16 - 12	1.47	1.82	1.38	1.19	.61	.55		
FF6500-16-16-O	1 - 1	1-7/16 - 12	1-7/16 - 12	1.64	2.10	1.63	1.44	.81	.78		
FF6500-20-20-O	1-1/4 - 1	1-11/16 - 12	1-11/16 - 12	1.76	2.29	1.88	1.61	1.02	1.02		
FF6500-24-24-O	1-1/2 - 1	2 - 12	2 - 12	1.92	2.41	2.25	1.97	1.26	1.26		



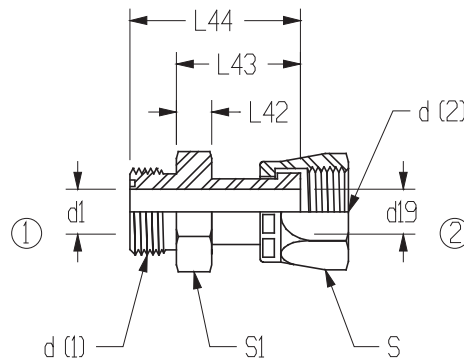
O-Ring Face Seal Adapters

FF6502 45° SWIVEL ELBOW



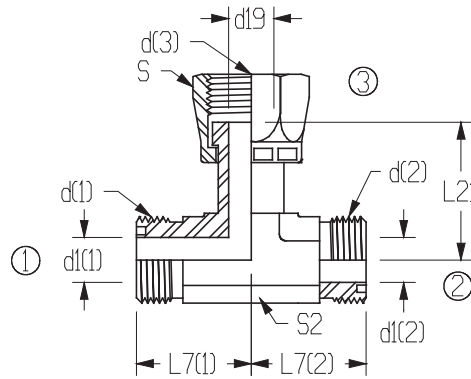
Part Number	Tube OD	d (1) UN/UNF-2A	d (2) UN/UNF-2B	L7	L52	S	S2	d1	d19
FF6502-4-4	1/4 - 1/4	9/16 - 18	9/16 - 18	.63	.99	.69	.55	.17	.17
FF6502-6-6	3/8 - 3/8	11/16 - 16	11/16 - 16	.74	1.12	.81	.75	.26	.26
FF6502-8-8	1/2 - 1/2	13/16 - 16	13/16 - 16	.80	1.49	.94	.75	.38	.36
FF6502-10-10	5/8 - 5/8	1 - 14	1 - 14	.92	1.53	1.13	1.06	.48	.45
FF6502-12-12	3/4 - 3/4	1-3/16 - 12	1-3/16 - 12	1.02	1.73	1.38	1.18	.61	.55
FF6502-16-16	1 - 1	1-7/16 - 12	1-7/16 - 12	1.18	1.87	1.63	1.42	.81	.78
FF6502-20-20	1-1/4 - 1-1/4	1-11/16 - 12	1-11/16 - 12	1.26	1.98	1.88	1.61	1.02	1.02

FF6504 MALE ORFS / FEMALE ORFS



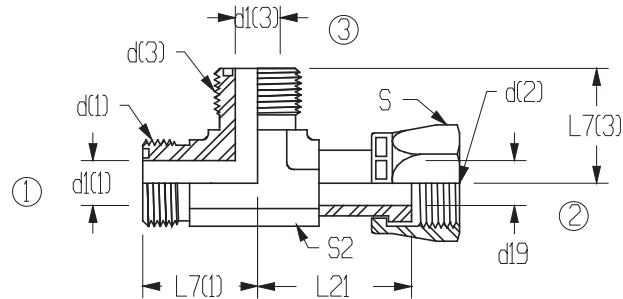
Part Number	Tube OD	d (1) UN/UNF-2A	d (2) UN/UNF-2A	L44	L43	L42	S	S1	d1	d19
FF6504-12-8-O	3/4 - 1/2	13/16 - 16	1-3/16 - 12	2.24	1.70	1.03	.94	1.13	.38	.55
FF6504-6-6-O	3/8 - 3/8	11/16 - 16	11/16 - 16	1.58	1.14	.69	.69	.69	.26	.26

O-Ring Face Seal Adapters



**FF6600
SWIVEL BRANCH TEE**

Part Number	Tube OD	d (1) UN/UNF-2A	d (2) UN/UNF-2A	d (3) UN/UNF-2B	L7 (1)	L7 (2)	L21	S	S2	d1 (1)	d1 (2)	d19
FF6600-4-4-4-O	1/4 - 1/4 - 1/4	9/16 - 18	9/16 - 18	9/16 - 18	.85	.85	1.04	.69	.56	.17	.17	.17
FF6600-6-6-6-O	3/8 - 3/8 - 3/8	11/16 - 16	11/16 - 16	11/16 - 16	.98	.98	1.15	.81	.75	.26	.26	.26
FF6600-8-8-8-O	1/2 - 1/2 - 1/2	13/16 - 16	13/16 - 16	13/16 - 16	1.10	1.10	1.49	.94	.75	.38	.38	.36
FF6600-10-10-10-O	5/8 - 5/8 - 5/8	1 - 14	1 - 14	1 - 14	1.31	1.31	1.62	1.13	1.06	.48	.48	.45
FF6600-12-12-12-O	3/4 - 3/4 - 3/4	1-3/16 - 12	1-3/16 - 12	1-3/16 - 12	1.47	1.47	1.82	1.38	1.19	.61	.61	.55
FF6600-16-16-16-O	1 - 1 - 1	1-7/16 - 12	1-7/16 - 12	1-7/16 - 12	1.64	1.64	2.10	1.63	1.44	.81	.81	.78
FF6600-20-20-20-O	1-1/4 - 1-1/4 - 1-1/4	1-11/16 - 12	1-11/16 - 12	1-11/16 - 12	1.76	1.76	2.29	1.88	1.61	1.02	1.02	1.02
FF6600-24-24-24-O	1-1/2 - 1-1/2 - 1-1/2	2 - 12	2 - 12	2 - 12	1.92	1.92	2.41	2.38	1.97	1.26	1.26	1.26



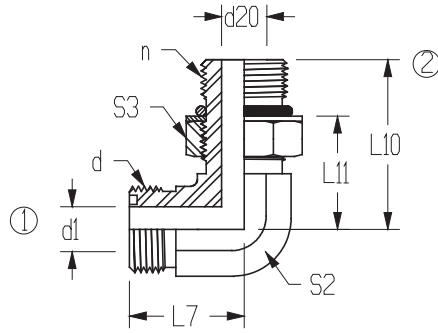
**FF6602
SWIVEL RUN TEE**

Part Number	Tube OD	d (1) UN/UNF-2A	d (2) UN/UNF-2A	d (3) UN/UNF-2B	L7 (1)	L7 (2)	L21	S	S2	d1 (1)	d1 (2)	d19
FF6602-4-4-4-O	1/4 - 1/4 - 1/4	9/16 - 18	9/16 - 18	9/16 - 18	.85	.85	1.04	.69	.56	.17	.17	.17
FF6602-6-6-6-O	3/8 - 3/8 - 3/8	11/16 - 16	11/16 - 16	11/16 - 16	.98	.98	1.15	.81	.75	.26	.26	.26
FF6602-8-8-8-O	1/2 - 1/2 - 1/2	13/16 - 16	13/16 - 16	13/16 - 16	1.10	1.10	1.49	.94	.75	.38	.38	.36
FF6602-10-10-10-O	5/8 - 5/8 - 5/8	1 - 14	1 - 14	1 - 14	1.31	1.31	1.62	1.13	1.06	.48	.48	.45
FF6602-12-12-12-O	3/4 - 3/4 - 3/4	1-3/16 - 12	1-3/16 - 12	1-3/16 - 12	1.47	1.47	1.82	1.38	1.19	.61	.61	.55
FF6602-16-16-16-O	1 - 1 - 1	1-7/16 - 12	1-7/16 - 12	1-7/16 - 12	1.64	1.64	2.10	1.63	1.44	.81	.81	.78
FF6602-20-20-20-O	1-1/4 - 1-1/4 - 1-1/4	1-11/16 - 12	1-11/16 - 12	1-11/16 - 12	1.76	1.76	2.29	1.88	1.61	1.02	1.02	1.02
FF6602-24-24-24-O	1-1/2 - 1-1/2 - 1-1/2	2 - 12	2 - 12	2 - 12	1.92	1.92	2.41	2.38	1.97	1.26	1.26	1.26



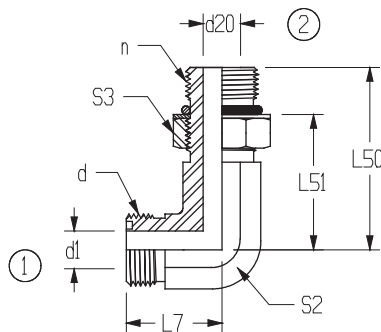
O-Ring Face Seal Adapters

FF6801
90°
STRAIGHT THREAD
ELBOW



Part Number	Tube OD	d UN/UNF-2A	n UN/UNF-2A	L7	L10	L11	S3	S2	d1	d20
FF6801-4-4 NWO	1/4	9/16 - 18	7/16 - 20	.85	1.29	.86	.63	.56	.17	.17
FF6801-4-6 NWO	1/4	9/16 - 18	9/16 - 18	.92	1.45	.98	.75	.56	.17	.26
FF6801-4-8-NWO	1/4	9/16 - 18	3/4 - 16	.97	1.60	1.06	.94	.75	.17	.38
FF6801-6-4 NWO	3/8	11/16 - 16	7/16 - 20	.98	1.37	.94	.63	.75	.26	.17
FF6801-6-5-NWO	3/8	11/16 - 16	1/2 - 20	.98	1.37	.94	.69	.75	.26	.24
FF6801-6-6 NWO	3/8	11/16 - 16	9/16 - 18	.98	1.45	.98	.75	.75	.26	.26
FF6801-6-8 NWO	3/8	11/16 - 18	3/4 - 16	1.04	1.60	1.06	.94	.75	.26	.38
FF6801-6-10 NWO	3/8	11/16 - 16	7/8 - 12	1.15	1.97	1.34	1.06	.87	.26	.48
FF6801-6-12 NWO	3/8	11/16 - 16	1-1/16 - 12	1.25	2.17	1.44	1.38	1.19	.26	.61
FF6801-8-6 NWO	1/2	13/16 - 16	9/16 - 18	1.10	1.44	.96	.75	.75	.38	.26
FF6801-8-8 NWO	1/2	13/16 - 16	3/4 - 16	1.10	1.60	1.06	.94	.75	.38	.38
FF6801-8-10 NWO	1/2	13/16 - 16	7/8 - 14	1.21	1.97	1.34	1.06	.87	.38	.48
FF6801-8-12 NWO	1/2	13/16 - 16	1-1/16 - 12	1.32	2.17	1.44	1.38	1.19	.38	.61
FF6801-10-6 NWO	5/8	1 - 14	9/16 - 18	1.31	1.64	1.16	.75	1.06	.48	.26
FF6801-10-8 NWO	5/8	1 - 14	3/4 - 16	1.31	1.80	1.26	.94	1.06	.48	.38
FF6801-10-10 NWO	5/8	1 - 14	7/8 - 14	1.31	1.97	1.34	1.06	1.06	.48	.48
FF6801-12-8-NWO	3/4	1-3/16 - 12	3/4 - 16	1.47	1.84	1.30	.94	1.19	.61	.38
FF6801-12-10 NWO	3/4	1-3/16 - 12	7/8 - 14	1.47	2.01	1.38	1.06	1.19	.61	.48
FF6801-12-12 NWO	3/4	1-3/16 - 12	1-1/16 - 12	1.47	2.17	1.44	1.38	1.19	.61	.61
FF6801-12-16 NWO	3/4	1-3/16 - 12	1-5/16 - 12	1.62	2.35	1.62	1.63	1.44	.61	.81
FF6801-16-10 NWO	1	1-7/16 - 12	7/8 - 14	1.64	2.16	1.52	1.06	1.42	.81	.48
FF6801-16-12 NWO	1	1-7/16 - 12	1-1/16 - 12	1.64	2.32	1.59	1.38	1.44	.81	.61
FF6801-16-14 NWO	1	1-7/16 - 12	1-3/16 - 12	1.64	2.35	1.62	1.50	1.44	.81	.72
FF6801-16-16 NWO	1	1-7/16 - 12	1-5/16 - 12	1.64	2.35	1.62	1.63	1.44	.81	.81
FF6801-16-20 NWO	1	1-7/16 - 12	1-5/8 - 12	1.76	2.45	1.72	1.88	1.63	.81	1.02
FF6801-20-16 NWO	1-1/4	1-11/16 - 12	1-5/16 - 12	1.76	2.45	1.72	1.63	1.63	1.02	.84
FF6801-20-20 NWO	1-1/4	1-11/16 - 12	1-5/8 - 12	1.76	2.45	1.72	1.88	1.61	1.02	1.02
FF6801-20-24 NWO	1-1/4	1-11/16 - 12	1-7/8 - 12	1.92	2.59	1.86	2.13	1.88	1.02	1.26
FF6801-24-20 NWO	1-1/2	2 - 12	1-5/8 - 12	1.92	2.59	1.72	1.88	1.88	1.26	1.02
FF6801-24-24 NWO	1-1/2	2 - 12	1-7/8 - 12	1.92	2.59	1.86	2.13	1.88	1.26	1.26

FF6801-L
90°
STRAIGHT THREAD
ELBOW

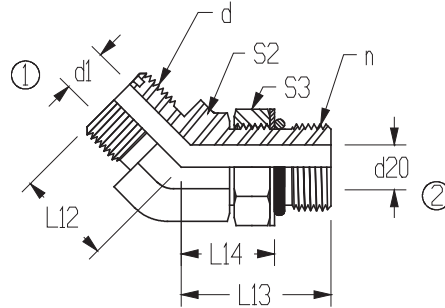


INFORMATION AVAILABLE UPON REQUEST.
CALL CUSTOMER SERVICE FOR DETAILS.

O-Ring Face Seal Adapters

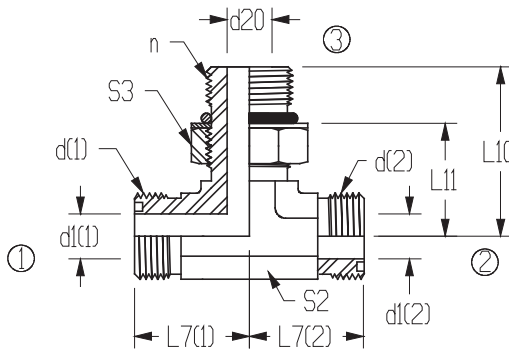


FF6802 45° STRAIGHT THREAD ELBOW



Part Number	Tube OD	D		L12	L13	L14	S3	S2	d1	d20
		UN/UNF-2A	N UN/UNF-2A							
FF6802-4-4 NWO	1/4	9/16 - 18	7/16 - 20	.63	1.18	.75	.63	.56	.17	.17
FF6802-4-6 NWO	1/4	9/16 - 18	9/16 - 18	.68	1.30	.82	.75	.75	.17	.29
FF6802-4-8 NWO	1/4	9/16 - 18	3/4 - 16	.67	1.43	.89	.94	.75	.17	.39
FF6802-6-4 NWO	3/8	11/16 - 16	7/16 - 20	.74	1.22	.79	.63	.67	.26	.17
FF6802-6-6 NWO	3/8	11/16 - 16	9/16 - 18	.74	1.30	.82	.75	.75	.26	.26
FF6802-6-8 NWO	3/8	11/16 - 16	3/4 - 16	.74	1.43	.89	.94	.75	.26	.39
FF6802-8-6 NWO	1/2	13/16 - 16	9/16 - 18	.80	1.27	.80	.75	.75	.38	.29
FF6802-8-8 NWO	1/2	13/16 - 16	3/4 - 16	.80	1.43	.89	.94	.75	.38	.38
FF6802-8-10 NWO	1/2	13/16 - 16	7/8 - 14	.82	1.76	1.13	1.06	.94	.48	.39
FF6802-10-8 NWO	5/8	1 - 14	3/4 - 16	.92	1.59	1.05	.94	.94	.48	.38
FF6802-10-10 NWO	5/8	1 - 14	7/8 - 14	.92	1.76	1.13	1.06	1.06	.48	.48
FF6802-10-12 NWO	5/8	1 - 14	1-1/16 - 12	.96	1.97	1.24	1.38	1.06	.48	.61
FF6802-12-10 NWO	3/4	1-3/16 - 12	7/8 - 14	1.02	1.29	1.18	1.06	1.06	.61	.48
FF6802-12-12 NWO	3/4	1-3/16 - 12	1-1/16 - 12	1.02	1.97	1.24	1.38	1.19	.61	.61
FF6802-12-16 NWO	3/4	1-3/16 - 12	1-5/16 - 12	1.02	2.06	1.33	1.63	1.44	.61	.81
FF6802-16-12 NWO	1	1-7/16 - 12	1-1/16 - 12	1.18	2.03	1.30	1.38	1.42	.81	.61
FF6802-16-16 NWO	1	1-7/16 - 12	1-5/16 - 12	1.18	2.06	1.33	1.63	1.44	.81	.81
FF6802-16-20-NWO	1	1-7/16 - 12	1-5/8 - 12	1.26	2.11	1.33	1.88	1.61	.81	1.08
FF6802-20-16-NWO	1-1/4	1-11/16 - 12	1-5/16 - 12	1.27	2.11	1.33	1.63	1.44	1.02	.81
FF6802-20-20 NWO	1-1/4	1-11/16 - 12	1-5/8 - 12	1.28	2.11	1.38	1.88	1.61	1.02	1.08
FF6802-20-24 NWO	1-1/4	1-11/16 - 12	1-7/8 - 12	1.45	2.11	1.38	2.13	1.97	1.02	1.31
FF6802-24-20 NWO	1-1/2	2 - 12	1-5/8 - 12	1.58	2.11	1.38	1.88	1.61	1.26	1.08
FF6802-24-24 NWO	1-1/2	2 - 12	1-7/8 - 12	1.45	2.11	1.38	2.13	1.97	1.26	1.31

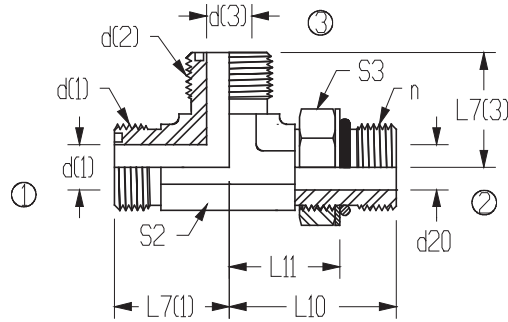
FF6803 STRAIGHT THREAD BRANCH TEE



Part Number	Tube OD	d (1)		d (2)		N UN/UNF-2A	L7 (1)	L7 (2)	L10	L11	S3	S2	d1 (1)	d1 (2)	d20
		UN/UNF-2A	UN/UNF-2A	UN/UNF-2A	UN/UNF-2A										
FF6803-4-4-4 NWO	1/4 - 1/4	9/16 - 18	9/16 - 18	9/16 - 18	9/16 - 18	7/16 - 20	.85	.85	1.29	.86	.63	.56	.17	.17	.17
FF6803-6-6-6 NWO	3/8 - 3/8	11/16 - 16	11/16 - 16	11/16 - 16	11/16 - 16	9/16 - 18	.98	.98	1.45	.98	.75	.75	.26	.26	.26
FF6803-6-6-8-NWO	3/8 - 3/8	11/16 - 16	11/16 - 16	11/16 - 16	11/16 - 16	3/4 - 16	1.04	1.04	1.60	1.06	.94	.75	.26	.26	.38
FF6803-8-8-8 NWO	1/2 - 1/2	13/16 - 16	13/16 - 16	13/16 - 16	13/16 - 16	3/4 - 16	1.10	1.10	1.60	1.06	.94	.75	.38	.38	.38
FF6803-10-10-10 NWO	5/8 - 5/8	1 - 14	1 - 14	1 - 14	1 - 14	7/8 - 14	1.31	1.31	1.97	1.34	1.06	1.06	.48	.48	.48
FF6803-12-12-12 NWO	3/4 - 3/4	1-3/16 - 12	1-3/16 - 12	1-3/16 - 12	1-3/16 - 12	1-1/16 - 12	1.47	1.47	2.17	1.44	1.38	1.19	.61	.61	.61
FF6803-16-16-6-NWO	1 - 1	1-7/16 - 12	1-7/16 - 12	1-7/16 - 12	1-7/16 - 12	9/16 - 18	1.64	1.64	2.35	.98	1.63	1.48	.81	.81	.28
FF6803-16-16-16 NWO	1 - 1	1-7/16 - 12	1-7/16 - 12	1-7/16 - 12	1-7/16 - 12	1-5/16 - 12	1.64	1.64	2.35	1.62	1.63	1.48	.81	.81	.81
FF6803-20-12-16 NWO	1-1/4 - 3/4	1-11/16 - 12	1-3/16 - 12	1-3/16 - 12	1-3/16 - 12	1-5/16 - 12	1.76	1.74	2.45	1.72	1.63	1.61	1.02	.61	.85
FF6803-20-20-20 NWO	1-1/4 - 1-1/4	1-11/16 - 12	1-11/16 - 12	1-11/16 - 12	1-11/16 - 12	1-5/8 - 12	1.76	1.76	2.45	1.72	1.88	1.61	1.02	1.02	1.08
FF6803-24-24-24 NWO	1-1/2 - 1-1/2	2 - 12	2 - 12	2 - 12	2 - 12	1-7/8 - 12	1.92	1.92	2.59	1.86	2.13	1.97	1.26	1.26	1.31

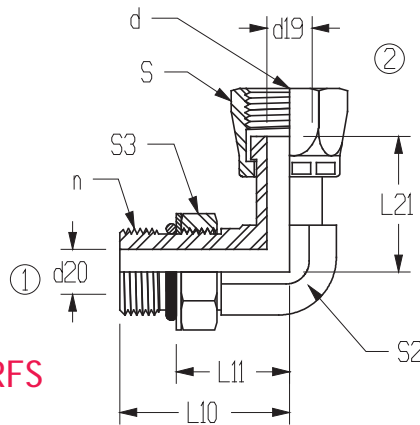


O-Ring Face Seal Adapters



FF6804
STRAIGHT THREAD
RUN TEE

Part Number	Tube OD	d (1) UN/UNF-2A	n UN/UNF-2A	d (3) UN/UNF-2A	L7 (1)	L10	L11	L7 (3)	S3	S2	d1 (1)	d20	d1 (3)
FF6804-4-4-4 NWO	1/4 - 1/4	9/16 - 18	7/16 - 20	9/16 - 18	.85	1.29	.86	.85	.63	.56	.17	.17	.17
FF6804-4-6-4 NWO	1/4 - 3/8	9/16 - 18	9/16 - 18	9/16 - 18	.93	1.45	.98	.93	.75	.56	.17	.30	.17
FF6804-6-6-6 NWO	3/8 - 3/8	11/16 - 16	9/16 - 18	11/16 - 16	.98	1.45	.98	.98	.75	.75	.26	.26	.26
FF6804-8-8-8 NWO	1/2 - 1/2	13/16 - 16	3/4 - 16	13/16 - 16	1.10	1.60	1.06	1.10	.94	.75	.38	.38	.38
FF6804-10-10-6 NWO	5/8 - 5/8	1 - 14	7/8 - 14	11/16 - 16	1.31	1.97	1.34	1.15	1.06	1.06	.48	.48	.26
FF6804-10-10-10 NWO	5/8 - 5/8	1 - 14	7/8 - 14	1 - 14	1.31	1.97	1.34	1.31	1.06	1.06	.48	.48	.48
FF6804-12-12-12 NWO	3/4 - 3/4	1-3/16 - 12	1-1/16 - 12	1-3/16 - 12	1.47	2.17	1.44	1.47	1.38	1.19	.61	.61	.61
FF6804-16-16-16 NWO	1 - 1	1-7/16 - 12	1-5/16 - 12	1-7/16 - 12	1.64	2.35	1.62	1.64	1.63	1.44	.81	.81	.81
FF6804-20-20-20 NWO	1-1/4 - 1 1/4	1-11/16 - 12	1-5/8 - 12	1-11/16 - 12	1.76	2.45	1.72	1.76	1.88	1.63	1.02	1.02	1.02
FF6804-24-24-24 NWO	1-1/2 - 1 1/2	1-7/8 - 12	1-7/8 - 12	2 - 12	1.92	2.59	1.86	1.92	2.13	1.97	1.26	1.31	1.26



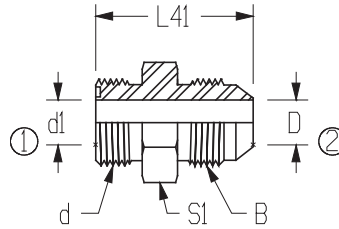
FF6809
90°
STRAIGHT THREAD / FEMALE ORFS
SWIVEL ELBOW

Part Number	Tube OD	d UN/UNF-2B	n UN/UNF-2A	L10	L11	L21	S	S2	S3	d19	d20
FF6809-16-16-NWO	1	1 7/16-12	1 5/16-12	2.35	1.62	2.10	1.63	1.44	1.63	.78	.81

O-Ring Face Seal Adapters

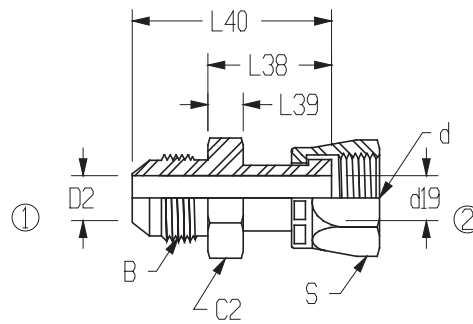


FF7403 37° MALE JIC / MALE ORFS ADAPTER



Part Number	Tube OD	d UN/UNF-2A	b UN/UNF-2A	L41	S1	d1	D
FF7403-4-4	1/4 - 1/4	9/16 - 18	7/16 - 20	1.25	.63	.17	.17
FF7403-6-6	3/8 - 3/8	11/16 - 16	9/16 - 18	1.34	.75	.26	.26
FF7403-8-8	1/2 - 1/2	13/16 - 16	3/4 - 16	1.55	.88	.38	.38
FF7403-10-10	5/8 - 5/8	1 - 14	7/8 - 14	1.83	1.06	.48	.48
FF7403-12-12	3/4 - 3/4	1-3/16 - 12	1-1/16 - 12	2.05	1.25	.61	.61
FF7403-16-16	1 - 1	1-7/16 - 12	1-5/16 - 12	2.16	1.50	.81	.81

FF7504 37° MALE JIC / MALE ORFS SWIVEL ADAPTER



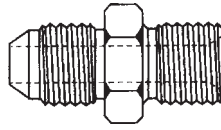
Part Number	Tube OD	S UN/UNF-2A	B UN/UNF-2A	L40	L38	L39	C2	S	d19	D2
FF7504-4-4	1/4 - 1/4	9/16 - 18	7/16 - 20	1.50	.95	.34	.56	.40	.17	.17
FF7504-6-6	3/8 - 3/8	11/16 - 16	9/16 - 18	1.61	1.05	.39	.69	.52	.26	.26
FF7504-8-8	1/2 - 1/2	13/16 - 16	3/4 - 16	1.90	1.24	.40	.88	.64	.36	.36
FF7504-10-10	5/8 - 5/8	1 - 14	7/8 - 14	2.20	1.44	.50	.94	.82	.45	.45
FF7504-12-8	3/4 - 1/2	13/16 - 16	1-1/16 - 12	1.60	.74	.35	1.13	.64	.37	.62
FF7504-12-12	3/4 - 3/4	1-3/16 - 12	1-1/16 - 12	2.50	1.64	.61	1.13	.98	.55	.55
FF7504-16-16	1 - 1	1-7/16 - 12	1-5/16 - 12	2.66	1.75	.64	1.38	1.16	.78	.78
FF7504-20-20	1-1/4 - 1-1/4	1-11/16 - 12	1-5/8 - 12	2.80	1.84	.69	1.69	1.46	1.02	1.02



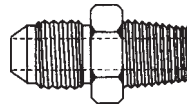
Metric and BSP Adapters

Part Number Description

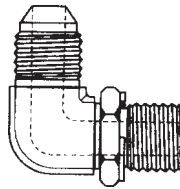
JB 4-2 4 JIC 2 BSPP
JB 4-4 4 JIC 4 BSPP
JB 4-6 4 JIC 6 BSPP
JB 6-4 6 JIC 4 BSPP
JB 6-6 6 JIC 6 BSPP
JB 6-8 6 JIC 8 BSPP
JB 8-6 8 JIC 6 BSPP
JB 8-8 8 JIC 8 BSPP
JB 10-8 10 JIC 8 BSPP
JB 12-12 12 JIC 12 BSPP
JB 16-16 16 JIC 16 BSPP



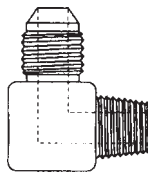
JB 4-2-K 4 JIC 2 BSPT
JB 4-4-K 4 JIC 4 BSPT
JB 6-4-K 6 JIC 4 BSPT
JB 6-6-K 6 JIC 6 BSPT
JB 8-6-K 8 JIC 6 BSPT
JB 8-8-K 8 JIC 8 BSPT
JB 12-12-K 12 JIC 12 BSPT



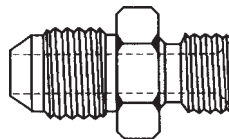
JB 4-4-90 4 JIC 4 BSPP 90
JB 6-4-90 6 JIC 4 BSPP 90
JB 6-6-90 6 JIC 6 BSPP 90
JB 8-8-90 8 JIC 8 BSPP 90
JB 12-12-90 12 JIC 12 BSPP 90



JB 4-4-90-K 4 JIC 4 BSPT 90
JB 6-4-90-K 6 JIC 4 BSPT 90
JB 6-6-90-K 6 JIC 6 BSPT 90



JM 4-10 4 JIC M10 X 1
JM 4-12 4 JIC M12 X 1.5
JM 4-14 4 JIC M14 X 1.5
JM 6-14 6 JIC M14 X 1.5
JM 6-16 6 JIC M16 X 1.5
JM 8-16 8 JIC M16 X 1.5
JM 8-18 8 JIC M18 X 1.5
JM 8-22 8 JIC M22 X 1.5
JM 10-20 10 JIC M20 X 1.5
JM 10-22 10 JIC M22 X 1.5
JM 12-22 12 JIC M22 X 1.5
JM 12-27 12 JIC M27 X 2

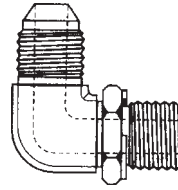


Metric and BSP Adapters

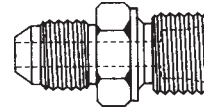


Part Number Description

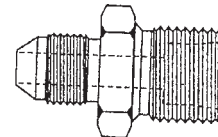
JM 4-10-90 4	JIC M10 X 1	90
JM 4-14-90 4	JIC M14 X 1.5	90
JM 6-14 90 6	JIC M14 X 1.5	90
JM 8-18-90 8	JIC M18 X 1.5	90
JM 8-22-90 8	JIC M22 X 1.5	90
JM 10-20-90 10	JIC M20 X 1.5	90
JM 10-22-90 10	JIC M22 X 1.5	90
JM 12-22-90 12	JIC M22 X 1.5	90



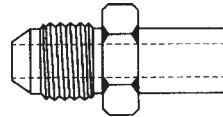
JM 6-8-TL 6	JIC M14 X 1.5L TUBE SEAT
JM 8-12-TL 8	JIC M18 X 1.5L TUBE SEAT



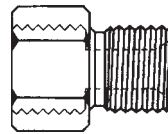
9247-12-28-36 12	JIC 28MM TUBE	36MM X 1.5
9247-16-28-36 16	JIC 28MM TUBE	36MM X 1.5
9247-16-35-45 16	JIC 35MM TUBE	45MM X 1.5
9247-20-35-45 20	JIC 35MM TUBE	45MM X 1.5



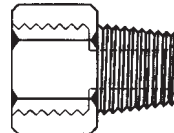
JT 4-8 4	JIC 8 MM STANDPIPE
JT 8-12 8	JIC 12 MM STANDPIPE



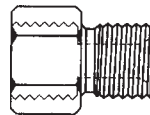
PB 2-2 2	NPT FEM 2	BSPP
PB 4-4 4	NPT FEM 4	BSPP
PB 6-6 6	NPT FEM 6	BSPP
PB 8-8 8	NPT FEM 8	BSPP
PB 12-12 12	NPT FEM 12	BSPP
PB 16-16 16	NPT FEM 16	BSPP



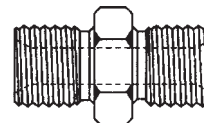
PB 2-2-K 2	NPT FEM 2	BSPT
PB 4-4-K 4	NPT FEM 4	BSPT
PB 6-6-K 6	NPT FEM 6	BSPT



PM 2-10 2	NPT FEM M10 X 1
PM 4-12 4	NPT FEM M12 X 1.5
PM 4-14 4	NPT FEM M14 X 1.5
PM 6-16 6	NPT FEM M16 X 1.5
PM 6-18 6	NPT FEM M18 X 1.5
PM 6-20 6	NPT FEM M20 X 1.5
PM 8-16 8	NPT FEM M16 X 1.5
PM 8-18 8	NPT FEM M18 X 1.5
PM 8-22 8	NPT FEM M22 X 1.5
PM 12-27 12	NPT FEM M27 X 2
PM 16-33 16	NPT FEM M33 X 2



1B 4-4 4	BSP 4	BSP MALE UNION
1B 6-6 6	BSP 6	BSP MALE UNION
1B 8-8 8	BSP 8	BSP MALE UNION
1B 12-12 12	BSP 12	BSP MALE UNION
1B 16-16 16	BSP 16	BSP MALE UNION



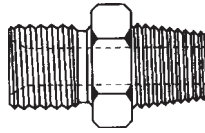


Metric and BSP Adapters

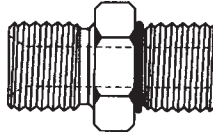
Part Number

Description

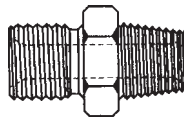
1 BT 4-4 4 BSP 4 BSPT MALE
 1 BT 6-6 6 BSP 6 BSPT MALE
 1 BT 8-8 8 BSP 8 BSPT MALE
 1BT 12-12 12 BSP 12 BSPT MALE
 1BT 16-16 16 BSP 16 BSPT MALE



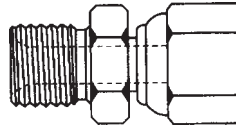
1BO 4-4 4 BSP 4 ORB
 1BO 6-6 6 BSP 6 ORB
 1BO 8-8 8 BSP 8 ORB
 1BO 12-12 12 BSP 12 ORB
 1BO 16-16 16 BSP 16 ORB



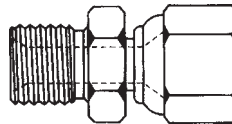
1BN 4-4 4 BSP 4 NPT MALE
 1BN 6-6 6 BSP 6 NPT MALE
 1BN 8-8 8 BSP 8 NPT MALE
 1BN 12-12 12 BSP 12 NPT MALE
 1BN 16-16 16 BSP 16 NPT MALE



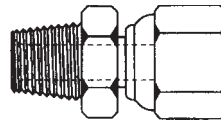
2B 4-4 4 BSP 4 BSP SW FEM
 2B 6-6 6 BSP 6 BSP SW FEM
 2B 8-8 8 BSP 8 BSP SW FEM
 2B 12-12 12 BSP 12 BSP SW FEM
 2B 16-16 16 BSP 16 BSP SW FEM



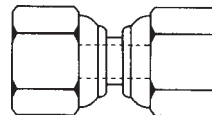
2BJ 4-4 4 BSP 4 JIC SW FEM
 2BJ 6-6 6 BSP 6 JIC SW FEM
 2BJ 6-8 6 BSP 8 JIC SW FEM
 2BJ 8-8 8 BSP 8 JIC SW FEM
 2BJ 12-12 12 BSP 12 JIC SW FEM
 2BJ 16-16 16 BSP 16 JIC SW FEM



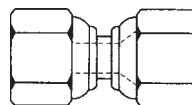
2NB 4-4 4 NPT 4 BSP SW FEM
 2NB 6-6 6 NPT 6 BSP SW FEM
 2NB 8-8 8 NPT 8 BSP SW FEM
 2NB 12-12 12 NPT 12 BSP SW FEM
 2NB 16-16 16 NPT 16 BSP SW FEM



3B 4-4 4 BSP 4 BSP SW FEM UNION
 3B 6-6 6 BSP 6 BSP SW FEM UNION
 3B 8-8 8 BSP 8 BSP SW FEM UNION
 3B 12-12 12 BSP 12 BSP SW FEM UNION
 3B 16-16 16 BSP 16 BSP SW FEM UNION



3BJ 4-4 4 BSP 4 JIC SW FEM
 3BJ 6-6 6 BSP 6 JIC SW FEM
 3BJ 8-8 8 BSP 8 JIC SW FEM
 3BJ 12-12 12 BSP 12 JIC SW FEM
 3BJ 16-16 16 BSP 16 JIC SW FEM

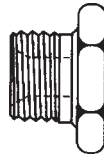


Metric and BSP Adapters

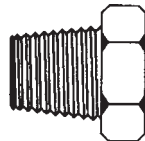


Part Number Description

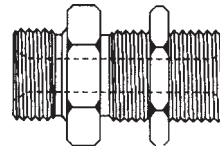
4B-4P 4 BSP PLUG
 4B-6P 6 BSP PLUG
 4B-8P 8 BSP PLUG
 4B-12P 12 BSP PLUG
 4B-16P 16 BSP PLUG



4T-4P 4 BSPT PLUG
 4T-6P 6 BSPT PLUG
 4T-8P 8 BSPT PLUG
 4T-12P 12 BSPT PLUG
 4T-16P 16 BSPT PLUG



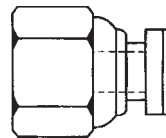
6B 4-4 4 BSP BULKHEAD
 6B 6-6 6 BSP BULKHEAD
 6B 8-8 8 BSP BULKHEAD
 6B 12-12 12 BSP BULKHEAD
 6B 16-16 16 BSP BULKHEAD



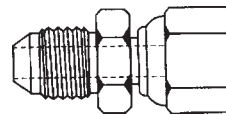
LNB 4-4 4 LOCKNUT
 LNB 6-6 6 LOCKNUT
 LNB 8-8 8 LOCKNUT
 LNB 12-12 12 LOCKNUT
 LNB 16-16 16 LOCKNUT



CB 4-4 4 BSP BLANKING CAP
 CB 6-6 6 BSP BLANKING CAP
 CB 8-8 8 BSP BLANKING CAP
 CB 12-12 12 BSP BLANKING CAP
 CB 16-16 16 BSP BLANKING CAP



2JB 4-4 4 JIC 4 BSP SW FEM
 2JB 6-6 6 JIC 6 BSP SW FEM
 2JB 8-8 8 JIC 8 BSP SW FEM
 2JB 12-12 12 JIC 12 BSP SW FEM
 2JB16-16 16 JIC 16 BSP SW FEM



400 021 4490 4 BSP BONDED SEAL
 400 023 4490 6 BSP BONDED SEAL
 400 025 4490 8 BSP BONDED SEAL
 400 027 4490 12 BSP BONDED SEAL
 400 030 4490 16 BSP BONDED SEAL

