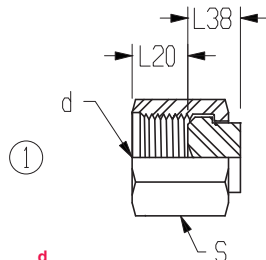


O-Ring Face Seal Adapters

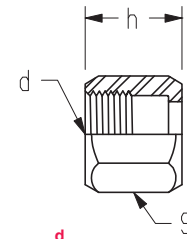


FF304-C CAP NUT



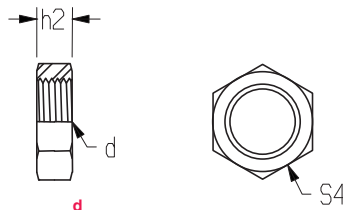
Part Number	Tube OD	d UN/UNF-2B	L20	L38	S
FF304-C-4	1/4	9/16 - 18	.31	.34	.69
FF304-C-6	3/8	11/16 - 16	.33	.37	.81
FF304-C-8	1/2	13/16 - 16	.39	.47	.94
FF304-C-10	5/8	1 - 14	.49	.47	1.13
FF304-C-12	3/4	1-3/16 - 12	.54	.53	1.38
FF304-C-16	1	1-7/16 - 12	.53	.59	1.63
FF304-C-20	1-1/4	1-11/16 - 12	.53	.59	1.88
FF304-C-24	1-1/2	2 - 12	.53	.59	2.25

FF318 TUBE NUT



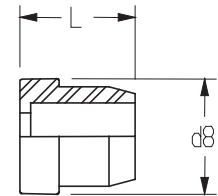
Part Number	Tube OD	d UN/UNF-2B	h2	S4
FF318-4	1/4	9/16 - 18	.58	.69
FF318-6	3/8	11/16 - 16	.67	.81
FF318-8	1/2	13/16 - 16	.83	.94
FF318-10	5/8	1 - 14	.93	1.13
FF318-12	3/4	1-3/16 - 12	1.02	1.38
FF318-16	1	1-7/16 - 12	1.10	1.63
FF318-20	1-1/4	1-11/16 - 12	1.10	1.88
FF318-24	1-1/2	2 - 12	1.10	2.25

FF306 BULKHEAD LOCK NUT



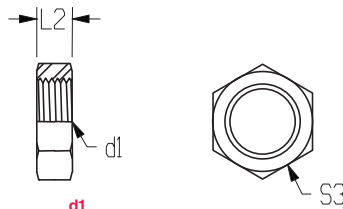
Part Number	Tube OD	d UN/UNF-2B	h2	S4
FF306-4 LN	1/4	9/16 - 18	.27	.81
FF306-6 LN	3/8	11/16 - 16	.31	1.00
FF306-8 LN	1/2	13/16 - 16	.35	1.13
FF306-10 LN	5/8	1 - 14	.41	1.31
FF306-12 LN	3/4	1-3/16 - 12	.41	1.50
FF306-16 LN	1	1-7/16 - 12	.41	1.75
FF306-20 LN	1-1/4	1-11/16 - 12	.41	2.00
FF306-24 LN	1-1/2	2 - 12	.41	2.38

FF319 TUBE SLEEVE



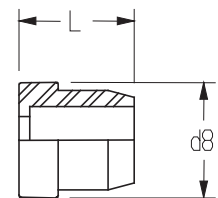
Part Number	Tube OD	L	d8
FF319-4 UNPL	1/4	.37	.50
FF319-6-4 UNPL	3/8-1/4	.41	.62
FF319-6 UNPL	3/8	.37	.62
FF319-8 UNPL	1/2	.37	.75
FF319-10 UNPL	5/8	.41	.92
FF319-12 UNPL	3/4	.55	1.10
FF319-16 UNPL	1	.61	1.35
FF319-20 UNPL	1-1/4	.61	1.60
FF319-24 UNPL	1-1/2	.61	1.71

FF306-N ADJUSTABLE LOCK NUT



Part Number	Tube OD	d1 UN/UNF-2B	L2	S3
FF306-N-4	1/4	7/16 - 20	.31	.63
FF306-N-6	3/8	9/16 - 18	.33	.75
FF306-N-8	1/2	3/4 - 16	.41	.94
FF306-N-10	5/8	7/8 - 14	.45	1.06
FF306-N-12	3/4	1-1/16 - 12	.50	1.38
FF306-N-14	7/8	1-3/16 - 12	.50	1.50
FF306-N-16	1	1-7/16 - 12	.54	1.63
FF306-N-20	1-1/4	1-5/8 - 12	.54	1.88
FF306-N-24	1-1/2	1-7/8 - 12	.54	2.13

FF320 TUBE SLEEVE

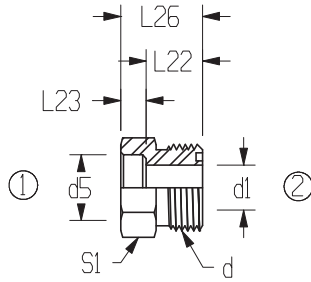


Part Number	Tube OD	L	d8
FF320-6	3/8	.34	.62
FF320-10	5/8	.42	.92
FF320-12	3/4	.48	1.09
FF320-16	1	.53	1.34
FF320-24	1-1/2	.49	1.91



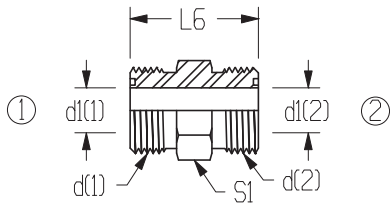
O-Ring Face Seal Adapters

FF403 BRAZE TUBE UNION



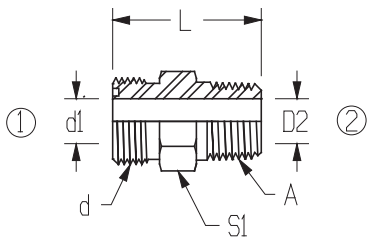
Part Number	Tube OD	d UN/UNF-2A	L26	L22	L23	S1	d1	d5
FF403-4-4	1/4-1/4	9/16 - 18	.86	.53	.33	.63	.17	.26
FF403-6-6	3/8-3/8	11/16 - 16	.90	.57	.33	.75	.26	.38
FF403-6-8	3/8-1/2	13/16 - 16	.97	.64	.33	.88	.26	.38
FF403-10-10	5/8-5/8	1 - 14	1.07	.74	.33	1.06	.48	.63
FF403-12-12	3/4-3/4	1-3/16 - 12	1.32	.83	.49	1.25	.61	.76
FF403-16-12	1-3/4	1-3/16 - 12	1.52	.97	.55	1.50	.61	1.01
FF403-16-16	1-1	1-7/16 - 12	1.52	.97	.55	1.50	.81	1.01
FF403-20-20	1-1/4 - 1-1/4	1-11/16 - 12	1.52	.97	.55	1.75	1.02	1.26
FF403-24-20	1-1/2 - 1-1/4	1-11/16 - 12	1.52	.97	.55	2.13	1.02	1.51

FF2403 MALE TUBE UNION



Part Number	Tube OD	d UN/UNF-2A	UN/UNF-2A	L22	L23	S1	d1
FF2403-4-4-O	1/4 - 1/4	9/16 - 18	9/16 - 18	1.08	.63	.17	.17
FF2403-6-4-O	3/8 - 1/4	11/16 - 16	9/16 - 18	1.17	.75	.26	.17
FF2403-6-6-O	3/8 - 3/8	11/16 - 16	11/16 - 16	1.22	.75	.26	.26
FF2403-8-6-O	1/2 - 3/8	13/16 - 16	11/16 - 16	1.33	.88	.38	.26
FF2403-8-8-O	1/2 - 1/2	13/16 - 16	13/16 - 16	1.39	.88	.38	.38
FF2403-10-8-O	5/8 - 1/2	1 - 14	13/16 - 16	1.57	1.06	.48	.38
FF2403-10-10-O	5/8 - 5/8	1 - 14	1 - 14	1.68	1.06	.48	.48
FF2403-12-8-O	3/4 - 1/2	1-3/16 - 12	13/16 - 16	1.69	1.25	.61	.38
FF2403-12-10-O	3/4 - 5/8	1-3/16 - 12	1 - 14	1.80	1.25	.61	.48
FF2403-12-12-O	3/4 - 3/4	1-3/16 - 12	1-3/16 - 12	1.86	1.25	.61	.61
FF2403-16-12-O	1 - 3/4	1-7/16 - 12	1-3/16 - 12	1.92	1.50	.81	.61
FF2403-16-16-O	1 - 1	1-7/16 - 12	1-7/16 - 12	1.94	1.50	.81	.81
FF2403-20-16-O	1-1/4 - 1	1-11/16 - 12	1-7/16 - 12	2.02	1.75	1.02	.81
FF2403-20-20-O	1-1/4 - 1-1/4	1-11/16 - 12	1-11/16 - 12	2.02	1.75	1.02	1.02
FF2403-24-24-O	1-1/2 - 1-1/2	2 - 12	2 - 12	2.09	2.13	1.26	1.26

FF2404 MALE CONNECTOR



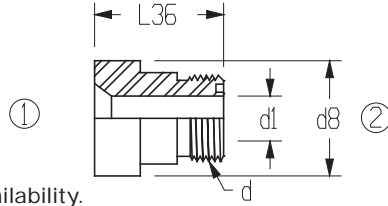
Part Number	Tube OD	d UN/UNF-2A	A NPTF	L	S1	d1	D2
FF2404-4-2-O	1/4	9/16 - 18	1/8 - 27	1.08	.63	.17	.17
FF2404-4-4-O	1/4	9/16 - 18	1/4 - 18	1.28	.63	.17	.17
FF2404-4-6-O	1/4	9/16 - 18	3/8 - 18	1.35	.75	.17	.17
FF2404-6-2-O	3/8	11/16 - 16	1/8 - 27	1.13	.75	.26	.19
FF2404-6-4-O	3/8	11/16 - 16	1/4 - 18	1.36	.75	.26	.26
FF2404-6-6-O	3/8	11/16 - 16	3/8 - 18	1.36	.75	.26	.26
FF2404-6-8-O	3/8	11/16 - 16	1/2 - 14	1.57	.88	.26	.26
FF2404-8-6-O	1/2	13/16 - 12	3/8 - 18	1.47	.88	.38	.38
FF2404-8-8-O	1/2	13/16 - 16	1/2 - 14	1.66	.88	.38	.38
FF2404-8-12-O	1/2	13/16 - 16	3/4 - 14	1.79	1.13	.38	.38
FF2404-10-8-O	5/8	1 - 14	1/2 - 14	1.84	1.06	.48	.48
FF2404-10-12-O	5/8	1 - 14	3/4 - 14	1.84	1.13	.48	.48
FF2404-12-8-O	3/4	1-3/16 - 12	1/2 - 14	1.96	1.25	.61	.53
FF2404-12-12-O	3/4	1-3/16 - 12	3/4 - 14	1.96	1.25	.61	.61
FF2404-12-16-O	3/4	1-3/16 - 12	1 - 11-1/2	2.19	1.38	.61	.61
FF2404-16-12-O	1	1-7/16 - 12	3/4 - 14	2.02	1.50	.81	.72
FF2404-16-16-O	1	1-7/16 - 12	1 - 11-1/2	2.21	1.50	.81	.81
FF2404-20-16-O	1-1/4	1-11/16 - 12	1 - 11-1/2	2.29	1.75	1.02	.94
FF2404-20-20-O	1-1/4	1-11/16 - 12	1-1/4 - 11-1/2	2.32	1.88	1.02	1.02
FF2404-24-24-O	1-1/2	2 - 12	1-1/2 - 11-1/2	2.42	2.13	1.26	1.26

O-Ring Face Seal Adapters



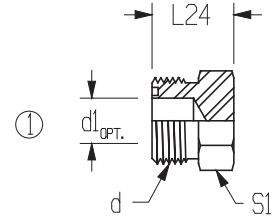
FF2407 REDUCING ADAPTER

Available with or without nut.
Call customer service for availability.



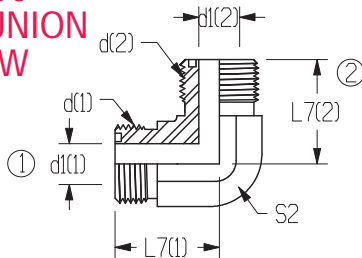
Part Number	Tube OD	D UN/UNF-2A	L36	d8	d1
FF2407-6-4-O	3/8 - 1/4	9/16 - 18	.77	.62	.17
FF2407-8-4-O	1/2 - 1/4	9/16 - 18	.86	.75	.17
FF2407-8-6-O	1/2 - 3/8	11/16 - 16	.88	.75	.26
FF2407-10-4-O	5/8 - 1/4	9/16 - 18	.90	.92	.17
FF2407-10-6-O	5/8 - 3/8	11/16 - 16	.95	.92	.26
FF2407-10-8-O	5/8 - 1/2	13/16 - 16	1.01	.92	.38
FF2407-12-4-O	3/4 - 1/4	9/16 - 18	.98	1.10	.17
FF2407-12-6-O	3/4 - 3/8	11/16 - 16	1.03	1.10	.26
FF2407-12-8-O	3/4 - 1/2	13/16 - 16	1.09	1.10	.38
FF2407-16-8-O	1 - 1/2	13/16 - 16	1.15	1.35	.38
FF2407-12-10-O	3/4 - 5/8	1 - 14	1.16	1.09	.48
FF2407-16-12-O	1 - 3/4	1-3/16 - 12	1.30	1.35	.61
FF2407-20-12-O	1-1/4 - 3/4	1-3/16 - 12	1.32	1.60	.61
FF2407-20-16-O	1-1/4 - 1	1-7/16 - 12	1.34	1.57	.81
FF2407-24-16-O	1-1/2 - 1	1-7/16 - 12	1.34	1.91	.81

FF2408 MALE TUBE PLUG



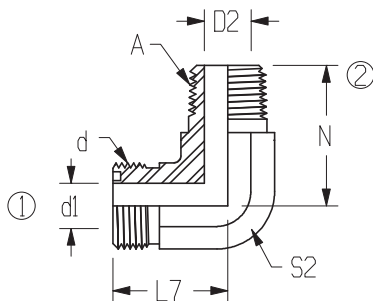
Part Number	Tube OD	d UN/UNF-2A	L24	S1	d1 (OPT)
FF2408-4-O	1/4	9/16 - 18	.66	.63	.17
FF2408-6-O	3/8	11/16 - 16	.75	.75	.26
FF2408-8-O	1/2	13/16 - 16	.85	.88	.38
FF2408-10-O	5/8	1 - 14	1.02	1.06	.48
FF2408-12-O	3/4	1-3/16 - 12	1.08	1.25	.61
FF2408-16-O	1	1-7/16 - 12	1.10	1.50	.81
FF2408-20-O	1-1/4	1-11/16 - 12	1.10	1.75	1.02
FF2408-24-O	1-1/2	2 - 12	1.10	2.13	1.26

FF2500 90° UNION ELBOW



Part Number	Tube OD	d (1) UN/UNF-2A	d (2) UN/UNF-2A	L7 (1)	L7 (2)	S2	d1 (1)	d1 (2)
FF2500-4-4-O	1/4 - 1/4	9/16 - 18	9/16 - 18	.85	.85	.56	.17	.17
FF2500-6-6-O	3/8 - 3/8	11/16 - 16	11/16 - 16	.98	.98	.75	.26	.26
FF2500-8-8-O	1/2 - 1/2	13/16 - 16	13/16 - 16	1.10	1.10	.75	.38	.38
FF2500-10-10-O	5/8 - 5/8	1 - 14	1 - 14	1.31	1.31	1.06	.48	.48
FF2500-12-12-O	3/4 - 3/4	1-3/16 - 12	1-3/16 - 12	1.47	1.47	1.19	.61	.61
FF2500-16-16-O	1 - 1	1-7/16 - 12	1-7/16 - 12	1.64	1.64	1.44	.81	.81
FF2500-20-20-O	1-1/4 - 1-1/4	1-11/16 - 12	1-11/16 - 12	1.76	1.76	1.63	1.02	1.02
FF2500-24-24-O	1-1/2 - 1-1/2	2 - 12	2 - 12	1.92	1.92	1.88	1.26	1.26

FF2501 90° MALE ELBOW

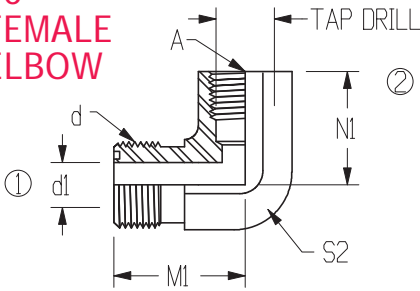


Part Number	Tube OD	d UN/UNF-2A	A NPTF	L7	N	S2	d1	D2
FF2501-4-2-O	1/4	9/16-18	1/8-27	.85	.80	.55	.17	.19
FF2501-4-4-O	1/4	9/16-18	1/4-18	.85	1.12	.56	.17	.28
FF2501-4-6-O	1/4	9/16-18	3/8-18	.85	1.22	.75	.17	.41
FF2501-6-4-O	3/8	11/16-16	1/4-18	.98	1.09	.75	.26	.28
FF2501-6-6-O	3/8	11/16-16	3/8-18	1.04	1.22	.75	.26	.41
FF2501-6-8-O	3/8	11/16-16	1/2-14	1.15	1.47	.88	.26	.53
FF2501-8-6-O	1/2	13/16-16	3/8-18	1.10	1.22	.75	.38	.41
FF2501-8-8-O	1/2	13/16-16	1/2-14	1.10	1.47	.94	.38	.53
FF2501-10-8-O	5/8	1-14	1/2-14	1.31	1.47	.94	.48	.53
FF2501-10-12-O	5/8	1-14	3/4-14	1.59	1.41	1.06	.48	.72
FF2501-12-8-O	3/4	1 3/16-12	1/2-14	1.59	1.47	1.19	.61	.53
FF2501-12-12-O	3/4	13/16-12	3/4-14	1.47	1.59	1.18	.61	.72
FF2501-12-16-O	3/4	1 3/16-12	1-11 1/2	1.62	2.01	1.44	.61	.94
FF2501-16-12-O	1	1 7/16-12	3/4-14	1.64	1.78	1.44	.81	.72
FF2501-16-16-O	1	1 7/16-12	1-11 1/2	1.64	2.01	1.44	.81	.94
FF2501-16-20-O	1	1 7/16-12	1 1/4-11 1/2	1.76	2.38	1.63	.81	1.25
FF2501-20-16-O	1 1/4	1 11/16-12	1-11 1/2	1.76	2.01	1.63	1.02	.94
FF2501-20-20-O	1 1/4	1 11/16-12	1 1/4-11 1/2	1.76	2.38	1.63	1.02	1.25
FF2501-20-24-O	1 1/4	1 11/16-12	1 1/2-11 1/2	1.92	2.43	1.88	1.02	1.50
FF2501-24-20-O	1 1/2	2-12	1 1/4-11 1/2	1.92	2.40	1.88	1.26	1.25
FF2501-24-24-O	1 1/2	2-12	1 1/2-11 1/2	1.92	2.43	1.88	1.26	1.50



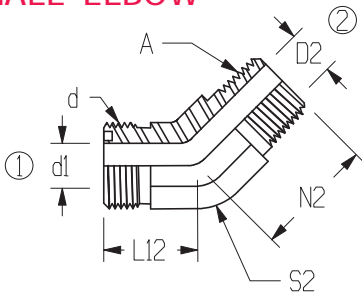
O-Ring Face Seal Adapters

FF2502 90° FEMALE ELBOW



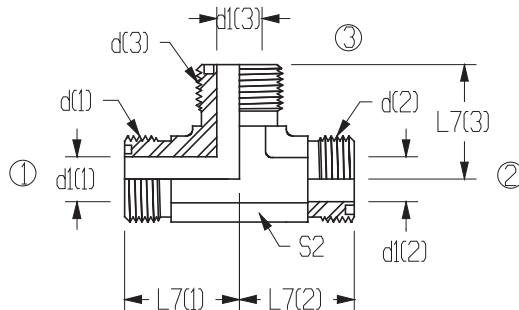
Part Number	Tube OD	d UN/UNF-2A	A NPTF	M1	N1	S2	d1	Tap Drill
FF2502-12-12-O	3/4	1-3/16 - 12	3/4 - 14	1.64	1.36	1.44	.61	.91
FF2502-16-16-O	1	1-7/16 - 12	1 - 11-1/2	1.76	1.62	1.63	.81	1.14
FF2502-20-20-O	1-1/4	1-11/16 - 12	1-1/4 - 11-1/2	1.92	1.70	1.88	1.02	1.48

FF2503 45° MALE ELBOW



Part Number	Tube OD	D UN/UNF-2A	A NPTF	L12	N2	S2	d1	D2
FF2503-4-2-O	1/4	9/16 - 18	1/8 - 27	.63	.64	.55	.17	.19
FF2503-4-4-O	1/4	9/16 - 18	1/4 - 18	.68	.86	.55	.17	.28
FF2503-4-6-O	1/4	9/16 - 18	3/8 - 18	.68	.95	.75	.17	.41
FF2503-6-4-O	3/8	11/16 - 16	1/4 - 18	.74	.86	.75	.26	.28
FF2503-6-6-O	3/8	11/16 - 16	3/8 - 18	.74	.95	.75	.26	.41
FF2503-6-8-O	3/8	11/16 - 16	1/2 - 14	.74	1.17	.87	.26	.53
FF2503-8-6-O	1/2	13/16 - 16	3/8 - 18	.80	.95	.75	.38	.41
FF2503-8-8-O	1/2	13/16 - 16	1/2 - 14	.80	1.17	.75	.38	.53
FF2503-10-8-O	5/8	1 - 14	1/2 - 14	.92	1.17	1.06	.48	.53
FF2503-12-12-O	3/4	1-3/16 - 12	3/4 - 14	1.02	1.30	1.18	.61	.72
FF2503-12-16-O	3/4	1-3/16 - 12	1 - 11-1/2	1.02	1.48	1.42	.61	.94
FF2503-16-12-O	1	1-7/16 - 12	3/4 - 14	1.18	1.30	1.42	.81	.72
FF2503-16-16-O	1	1-7/16 - 12	1 - 11-1/2	1.18	1.48	1.42	.81	.94
FF2503-16-20-O	1	1-7/16 - 12	1-1/4 - 11-1/2	1.18	1.66	1.61	.81	1.25
FF2503-20-16-O	1-1/4	1-11/16 - 12	1 - 11-1/2	1.28	1.63	1.61	1.02	.94
FF2503-20-20-O	1-1/4	1-11/16 - 12	1-1/4 - 11-1/2	1.28	1.67	1.61	1.02	1.25

FF2603 UNION TEE



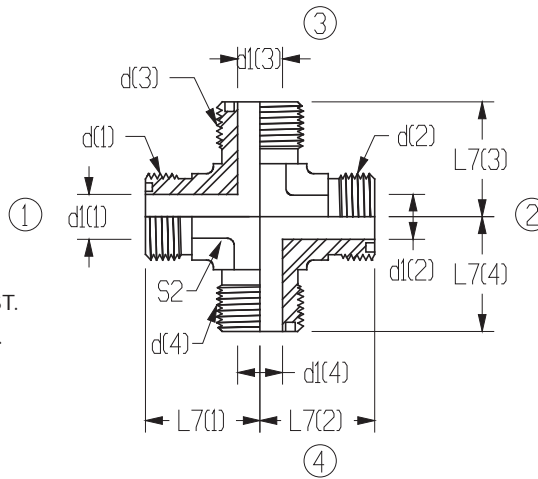
Part Number	Tube OD	d (1) UN/UNF-2A	d (2) UN/UNF-2A	d (3) UN/UNF-2A	L7 (1)	L7 (2)	L7 (3)	S2	d1 (1)	d1 (2)	d1 (3)
FF2603-4-4-4-O	1/4 - 1/4 - 1/4	9/16 - 18	9/16 - 18	9/16 - 18	.85	.85	.85	.56	.17	.17	.17
FF2603-6-6-6-O	3/8 - 3/8 - 3/8	11/16 - 16	11/16 - 16	11/16 - 16	.98	.98	.98	.75	.26	.26	.26
FF2603-8-8-6-O	1/2 - 1/2 - 3/8	13/16 - 16	13/16 - 16	11/16 - 16	1.10	1.10	1.04	.75	.38	.38	.26
FF2603-8-8-8-O	1/2 - 1/2 - 1/2	13/16 - 16	13/16 - 16	13/16 - 16	1.10	1.10	1.10	.75	.38	.38	.38
FF2603-8-8-10-O	1/2 - 1/2 - 5/8	13/16 - 16	13/16 - 16	1 - 14	.38	.38	.49	1.06	.38	.38	.49
FF2603-10-6-10-O	5/8 - 3/8 - 5/8	1 - 14	11/16 - 16	1 - 14	1.31	1.15	1.31	1.06	.49	.26	.49
FF2603-10-10-10-O	5/8 - 5/8 - 5/8	1 - 14	1 - 14	1 - 14	1.31	1.31	1.31	1.06	.49	.49	.49
FF2603-12-12-12-O	3/4 - 3/4 - 3/4	1-3/16 - 12	1-3/16 - 12	1-3/16 - 12	1.47	1.47	1.47	1.19	.61	.61	.61
FF2603-16-16-10-O	1 - 1 - 5/8	1-7/16 - 12	1-7/16 - 12	1 - 14	1.64	1.64	1.56	1.42	.81	.81	.49
FF2603-16-16-12-O	1 - 1 - 3/4	1-7/16 - 12	1-7/16 - 12	1-3/16 - 12	1.64	1.64	1.62	1.42	.81	.81	.61
FF2603-16-16-16-O	1 - 1 - 1	1-7/16 - 12	1-7/16 - 12	1-7/16 - 12	1.64	1.64	1.64	1.44	.81	.81	.81
FF2603-20-20-20-O	1-1/4 - 1-1/4 - 1-1/4	1-11/16 - 12	1-11/16 - 12	1-11/16 - 12	1.76	1.76	1.76	1.61	1.02	1.02	1.02
FF2603-24-24-24-O	1-1/2 - 1-1/2 - 1-1/2	2 - 12	2 - 12	2 - 12	1.92	1.92	1.92	1.97	1.26	1.26	1.26

O-Ring Face Seal Adapters

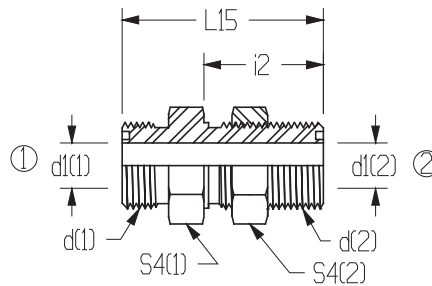


FF2650 UNION CROSS

INFORMATION AVAILABLE UPON REQUEST.
CALL CUSTOMER SERVICE FOR DETAILS.



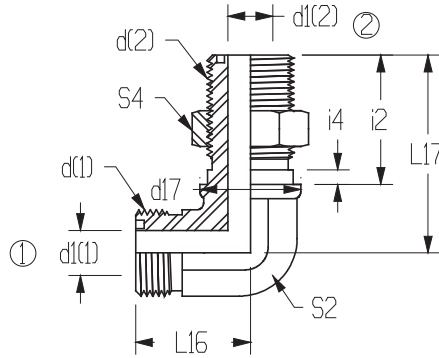
FF2700 BULKHEAD UNION



Part Number	Tube OD	d (1) UN/UNF-2A	d (2) UN/UNF-2A	L15	i2	S4 (1)	S4 (2)	d1 (1)	d1 (2)
FF2700-4-4-O	1/4 - 1/4	9/16 - 18	9/16 - 18	1.90	1.24	.81	.81	.17	.17
FF2700-6-6-O	3/8 - 3/8	11/16 - 16	11/16 - 16	2.09	1.34	1.00	1.00	.26	.26
FF2700-8-8-O	1/2 - 1/2	13/16 - 16	13/16 - 16	2.30	1.44	1.13	1.13	.38	.38
FF2700-10-10-O	5/8 - 5/8	1 - 14	1 - 14	2.62	1.60	1.31	1.31	.48	.48
FF2700-12-12-O	3/4 - 3/4	1-3/16 - 12	1-3/16 - 12	2.72	1.64	1.50	1.50	.61	.61
FF2700-16-16-O	1 - 1	1-7/16 - 12	1-7/16 - 12	2.76	1.66	1.75	1.75	.81	.81
FF2700-20-20-O	1-1/4 - 1-1/4	1-11/16 - 12	1-11/16 - 12	2.76	1.66	2.00	2.00	1.02	1.02
FF2700-24-24-O	1-1/2 - 1-1/2	2 - 12	2 - 12	2.76	1.66	2.38	2.38	1.26	1.26

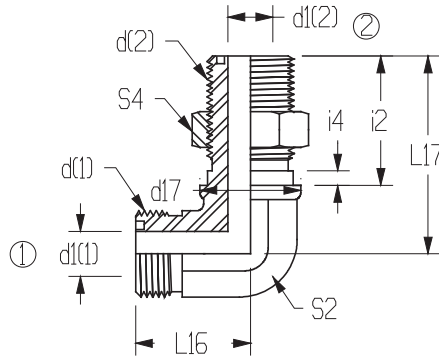


O-Ring Face Seal Adapters



FF2701
90°
BULKHEAD ELBOW

Part Number	Tube OD	d (1) UN/UNF-2A	d (2) UN/UNF-2A	L16	L17	i2	i4	d17	S4	S2	d1 (1)	d1 (2)
FF2701-4-4-O	1/4 - 1/4	9/16 - 18	9/16 - 18	.89	1.85	1.24	.06	.69	.81	.56	.17	.17
FF2701-6-6-O	3/8 - 3/8	11/16 - 16	11/16 - 16	1.02	2.05	1.30	.06	.87	1.00	.75	.26	.26
FF2701-8-8-O	1/2 - 1/2	13/16 - 16	13/16 - 16	1.14	2.18	1.37	.06	1.00	1.13	.75	.38	.38
FF2701-10-10-O	5/8 - 5/8	1 - 14	1 - 14	1.36	2.48	1.54	.06	1.19	1.31	1.06	.48	.48
FF2701-12-12-O	3/4 - 3/4	1-3/16 - 12	1-3/16 - 12	1.52	2.65	1.59	.06	1.37	1.50	1.19	.61	.61
FF2701-16-16-O	1 - 1	1-7/16 - 12	1-7/16 - 12	1.67	2.80	1.61	.06	1.62	1.75	1.44	.81	.81
FF2701-20-16-O	1-1/4 - 1	1-11/16 - 12	1-7/16 - 12	1.79	2.97	1.60	.06	1.62	1.75	1.61	1.02	.81
FF2701-20-20-O	1-1/4 - 1-1/4	1-11/16 - 12	1-11/16 - 12	1.79	2.97	1.66	.06	1.87	2.00	1.61	1.02	1.02
FF2701-24-24-O	1-1/2 - 1-1/2	2 - 12	2 - 12	1.95	3.13	1.66	.06	2.19	2.38	1.87	1.26	1.26



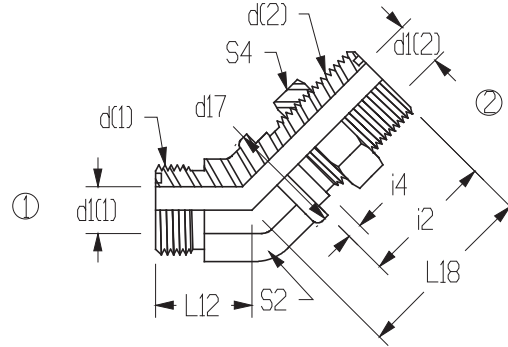
FF2701
90°
BULKHEAD ELBOW
W/LOCK NUT

Part Number	Tube OD	d (1) UN/UNF-2A	d (2) UN/UNF-2A	L16	L17	i2	i4	d17	S4	S2	d1 (1)	d1 (2)
FF2701-4-4-LN-O	1/4 - 1/4	9/16 - 18	9/16 - 18	.89	1.85	1.24	.06	.69	.81	.56	.17	.17
FF2701-6-6-LN-O	3/8 - 3/8	11/16 - 16	11/16 - 16	1.02	2.05	1.30	.06	.87	1.00	.75	.26	.26
FF2701-8-8-LN-O	1/2 - 1/2	13/16 - 16	13/16 - 16	1.14	2.18	1.37	.06	1.00	1.13	.75	.38	.38
FF2701-10-10-LN-O	5/8 - 5/8	1 - 14	1 - 14	1.36	2.48	1.54	.06	1.19	1.31	1.06	.48	.48
FF2701-12-12-LN-O	3/4 - 3/4	1-3/16 - 12	1-3/16 - 12	1.52	2.65	1.59	.06	1.37	1.50	1.19	.61	.61
FF2701-16-16-LN-O	1 - 1	1-7/16 - 12	1-7/16 - 12	1.67	2.80	1.61	.06	1.62	1.75	1.44	.81	.81
FF2701-20-16-LN-O	1-1/4 - 1	1-11/16 - 12	1-7/16 - 12	1.79	2.97	1.60	.06	1.62	1.75	1.61	1.02	.81
FF2701-20-20-LN-O	1-1/4 - 1-1/4	1-11/16 - 12	1-11/16 - 12	1.79	2.97	1.66	.06	1.87	2.00	1.61	1.02	1.02
FF2701-24-24-LN-O	1-1/2 - 1-1/2	2 - 12	2 - 12	1.95	3.13	1.66	.06	2.19	2.38	1.87	1.26	1.26

O-Ring Face Seal Adapters

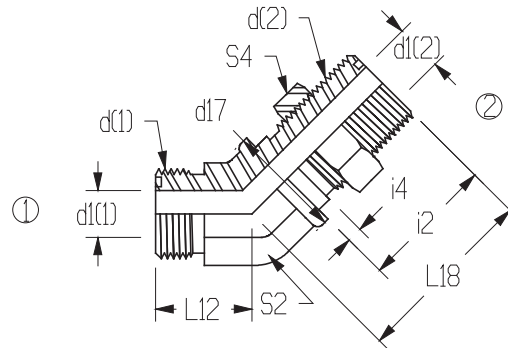


FF2702 45° BULKHEAD ELBOW



Part Number	Tube OD	d (1) UN/UNF-2A	d (2) UN/UNF-2A	L12	L18	i2	i4	d17	S4	S2	d1 (1)	d1 (2)
FF2702-4-4-O	1/4 - 1/4	9/16 - 18	9/16 - 18	.63	1.73	1.24	.06	.69	.81	.56	.17	.17
FF2702-6-6-O	3/8 - 3/8	11/16 - 16	11/16 - 16	.74	1.91	1.30	.06	.87	1.00	.75	.26	.26
FF2702-8-8-O	1/2 - 1/2	13/16 - 16	13/16 - 16	.80	2.01	1.37	.06	1.00	1.13	.75	.38	.38
FF2702-10-10-O	5/8 - 5/8	1 - 14	1 - 14	.92	2.23	1.54	.06	1.19	1.31	1.06	.48	.48
FF2702-12-12-O	3/4 - 3/4	1-3/16 - 12	1-3/16 - 12	1.02	2.39	1.59	.06	1.37	1.50	1.19	.61	.61
FF2702-16-16-O	1 - 1	1-7/16 - 12	1-7/16 - 12	1.18	2.57	1.61	.06	1.62	1.75	1.44	.81	.81
FF2702-20-20-O	1-1/4 - 1-1/4	1-11/16 - 12	1-11/16 - 12	1.26	2.64	1.66	.06	1.87	2.00	1.61	1.02	1.02
FF2702-24-24-O	1-1/2-1-1/2	2 - 12	2 - 12	1.45	2.64	1.66	.06	2.19	2.38	1.87	1.26	1.26

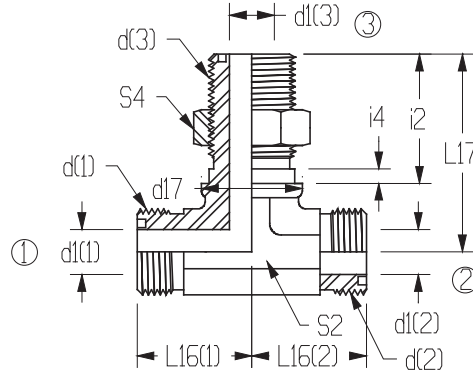
FF2702 45° BULKHEAD ELBOW W/LOCK NUT



Part Number	Tube OD	d (1) UN/UNF-2A	d (2) UN/UNF-2A	L12	L18	i2	i4	d17	S4	S2	d1 (1)	d1 (2)
FF2702-4-4-LN-O	1/4 - 1/4	9/16 - 18	9/16 - 18	.63	1.73	1.24	.06	.69	.81	.56	.17	.17
FF2702-6-6-LN-O	3/8 - 3/8	11/16 - 16	11/16 - 16	.74	1.91	1.30	.06	.87	1.00	.75	.26	.26
FF2702-8-8-LN-O	1/2 - 1/2	13/16 - 16	13/16 - 16	.80	2.01	1.37	.06	1.00	1.13	.75	.38	.38
FF2702-10-10-LN-O	5/8 - 5/8	1 - 14	1 - 14	.92	2.23	1.54	.06	1.19	1.31	1.06	.48	.48
FF2702-12-12-LN-O	3/4 - 3/4	1-3/16 - 12	1-3/16 - 12	1.02	2.39	1.59	.06	1.37	1.50	1.19	.61	.61
FF2702-16-16-LN-O	1 - 1	1-7/16 - 12	1-7/16 - 12	1.18	2.57	1.61	.06	1.62	1.75	1.44	.81	.81
FF2702-20-20-LN-O	1-1/4 - 1-1/4	1-11/16 - 12	1-11/16 - 12	1.26	2.64	1.66	.06	1.87	2.00	1.61	1.02	1.02
FF2702-24-24-LN-O	1-1/2-1-1/2	2 - 12	2 - 12	1.45	2.64	1.66	.06	2.19	2.38	1.87	1.26	1.26

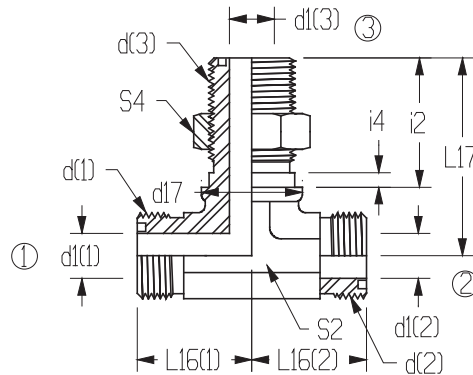


O-Ring Face Seal Adapters



FF2703 BULKHEAD BRANCH TEE

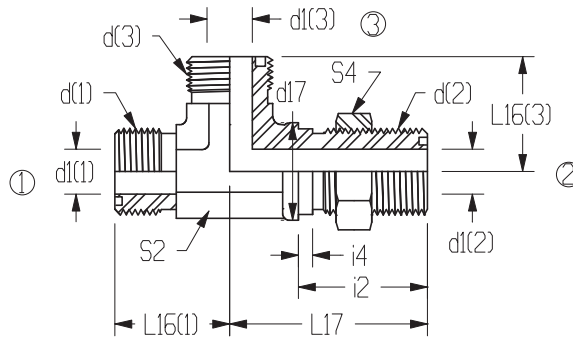
Part Number	Tube OD	d (1) UN/UNF-2A	d (2) UN/UNF-2A	d (3) UN/UNF-2A	L16 (1)	L16 (2)	L17	i2	i4	d17	S4	S2	d1 (1)	d1 (2)	d1 (3)
FF2703-4-4-4-O	1/4 - 1/4 - 1/4	9/16 - 18	9/16 - 18	9/16 - 18	.89	.89	1.85	1.24	.06	.69	.81	.56	.17	.17	.17
FF2703-6-6-6-O	3/8 - 3/8 - 3/8	11/16 - 16	11/16 - 16	11/16 - 16	1.02	1.02	2.05	1.30	.06	.87	1.00	.75	.26	.26	.26
FF2703-8-8-8-O	1/2 - 1/2 - 1/2	13/16 - 16	13/16 - 16	13/16 - 16	1.14	1.14	2.18	1.37	.06	1.00	1.13	.75	.38	.38	.38
FF2703-10-10-10-O	5/8 - 5/8 - 5/8	1 - 14	1 - 14	1 - 14	1.36	1.36	2.48	1.54	.06	1.19	1.31	1.06	.48	.48	.48
FF2703-12-12-12-O	3/4 - 3/4 - 3/4	1-3/16 - 12	1-3/16 - 12	1-3/16 - 12	1.52	1.52	2.65	1.64	.13	1.37	1.50	1.18	.61	.61	.61



FF2703 BULKHEAD BRANCH TEE W/LOCK NUT

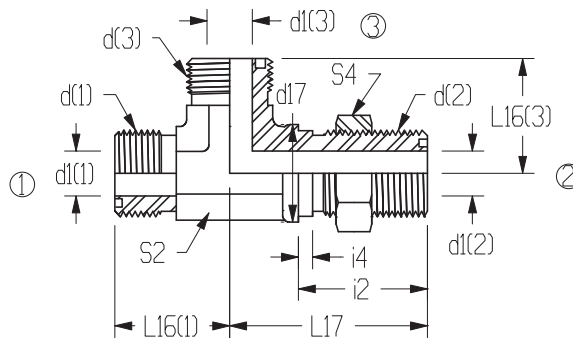
Part Number	Tube OD	d (1) UN/UNF-2A	d (2) UN/UNF-2A	d (3) UN/UNF-2A	L16 (1)	L16 (2)	L17	i2	i4	d17	S4	S2	d1 (1)	d1 (2)	d1 (3)
FF2703-4-4-4-LN-O	1/4 - 1/4 - 1/4	9/16 - 18	9/16 - 18	9/16 - 18	.89	.89	1.85	1.24	.06	.69	.81	.56	.17	.17	.17
FF2703-6-6-6-LN-O	3/8 - 3/8 - 3/8	11/16 - 16	11/16 - 16	11/16 - 16	1.02	1.02	2.05	1.30	.06	.87	1.00	.75	.26	.26	.26
FF2703-8-8-8-LN-O	1/2 - 1/2 - 1/2	13/16 - 16	13/16 - 16	13/16 - 16	1.14	1.14	2.18	1.37	.06	1.00	1.13	.75	.38	.38	.38
FF2703-10-10-10-LN-O	5/8 - 5/8 - 5/8	1 - 14	1 - 14	1 - 14	1.36	1.36	2.48	1.54	.06	1.19	1.31	1.06	.48	.48	.48
FF2703-12-12-12-LN-O	3/4 - 3/4 - 3/4	1-3/16 - 12	1-3/16 - 12	1-3/16 - 12	1.52	1.52	2.65	1.64	.13	1.37	1.50	1.18	.61	.61	.61

O-Ring Face Seal Adapters



FF2704 BULKHEAD RUN TEE

Part Number	Tube OD	d (1) UN/UNF-2A	d (2) UN/UNF-2A	d (3) UN/UNF-2A	L16 (1)	L16 (2)	L17	i2	i4	d17	S4	S2	d1 (1)	d1 (2)	d1 (3)
FF2704-4-4-4-O	1/4 - 1/4 - 1/4	9/16 - 18	9/16 - 18	9/16 - 18	.89	1.85	.89	1.24	.06	.81	.69	.56	.17	.17	.17
FF2704-6-6-6-O	3/8 - 3/8 - 3/8	11/16 - 16	11/16 - 16	11/16 - 16	1.02	2.05	1.02	1.30	.06	1.00	.87	.75	.26	.26	.26
FF2704-8-8-8-O	1/2 - 1/2 - 1/2	13/16 - 16	13/16 - 16	13/16 - 16	1.14	2.18	1.14	1.37	.06	1.13	1.00	.75	.38	.38	.38
FF2704-10-10-10-O	5/8 - 5/8 - 5/8	1 - 14	1 - 14	1 - 14	1.36	2.48	1.36	1.54	.06	1.31	1.19	1.06	.48	.48	.48
FF2704-12-12-12-O	3/4 - 3/4 - 3/4	1-3/16 - 12	1-3/16 - 12	1-3/16 - 12	1.52	2.65	1.52	1.59	.06	1.50	1.37	1.19	.61	.61	.61
FF2704-16-16-16-O	1 - 1 - 1	1-7/16 - 12	1-7/16 - 12	1-7/16 - 12	1.67	2.80	1.67	1.61	.06	1.75	1.62	1.44	.81	.81	.81



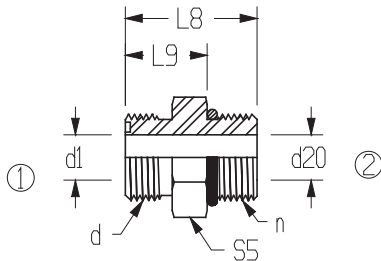
FF2704 BULKHEAD RUN TEE W/LOCK NUT

Part Number	Tube OD	d (1) UN/UNF-2A	d (2) UN/UNF-2A	d (3) UN/UNF-2A	L16 (1)	L16 (2)	L17	i2	i4	d17	S4	S2	d1 (1)	d1 (2)	d1 (3)
FF2704-4-4-4-LN-O	1/4 - 1/4 - 1/4	9/16 - 18	9/16 - 18	9/16 - 18	.89	1.85	.89	1.24	.06	.81	.69	.56	.17	.17	.17
FF2704-6-6-6-LN-O	3/8 - 3/8 - 3/8	11/16 - 16	11/16 - 16	11/16 - 16	1.02	2.05	1.02	1.30	.06	1.00	.87	.75	.26	.26	.26
FF2704-8-8-8-LN-O	1/2 - 1/2 - 1/2	13/16 - 16	13/16 - 16	13/16 - 16	1.14	2.18	1.14	1.37	.06	1.13	1.00	.75	.38	.38	.38
FF2704-10-10-10-LN-O	5/8 - 5/8 - 5/8	1 - 14	1 - 14	1 - 14	1.36	2.48	1.36	1.54	.06	1.31	1.19	1.06	.48	.48	.48
FF2704-12-12-12-LN-O	3/4 - 3/4 - 3/4	1-3/16 - 12	1-3/16 - 12	1-3/16 - 12	1.52	2.65	1.52	1.59	.06	1.50	1.37	1.19	.61	.61	.61
FF2704-16-16-16-LN-O	1 - 1 - 1	1-7/16 - 12	1-7/16 - 12	1-7/16 - 12	1.67	2.80	1.67	1.61	.06	1.75	1.62	1.44	.81	.81	.81



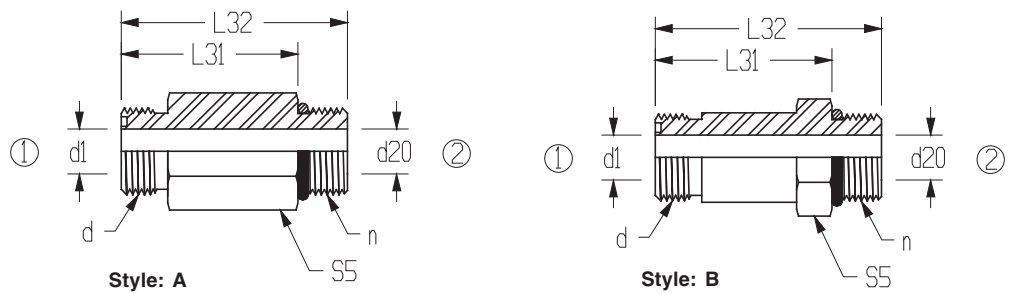
O-Ring Face Seal Adapters

FF6400 STRAIGHT THREAD CONNECTOR



Part Number	Tube OD	d UN/UNF-2A	n UN/UNF-2A	L8	L9	S5	d1	d20
FF6400-4-3-O	1/4	9/16 - 18	3/8 - 24	1.07	.70	.63	.17	.13
FF6400-4-4-O	1/4	9/16 - 18	7/16 - 20	1.13	.70	.63	.17	.17
FF6400-4-5-O	1/4	9/16 - 18	1/2 - 20	1.13	.70	.63	.17	.24
FF6400-4-6-O	1/4	9/16 - 18	9/16 - 18	1.20	.73	.69	.17	.17
FF6400-4-8-O	1/4	9/16 - 18	3/4 - 16	1.32	.77	.88	.17	.17
FF6400-6-4-O	3/8	11/16 - 16	7/16 - 20	1.34	.91	.75	.26	.17
FF6400-6-6-O	3/8	11/16 - 16	9/16 - 18	1.25	.78	.75	.26	.26
FF6400-6-8-O	3/8	11/16 - 16	3/4 - 16	1.38	.83	.88	.26	.26
FF6400-6-10-O	3/8	11/16 - 16	7/8 - 14	1.53	.90	1.00	.26	.26
FF6400-6-12-O	3/8	11/16 - 16	1-1/16 - 12	1.69	.96	1.25	.26	.26
FF6400-8-6-O	1/2	13/16 - 16	9/16 - 18	1.47	1.00	.88	.38	.26
FF6400-8-8-O	1/2	13/16 - 16	3/4 - 16	1.44	.89	.88	.38	.38
FF6400-8-10-O	1/2	13/16 - 16	7/8 - 14	1.59	.96	1.00	.38	.38
FF6400-8-12-O	1/2	13/16 - 16	1-1/16 - 12	1.75	1.02	1.25	.38	.38
FF6400-8-16-O	1/2	13/16 - 16	1-5/16 - 12	1.79	1.06	1.50	.38	.84
FF6400-10-8-O	5/8	1 - 14	3/4 - 16	1.78	1.23	1.06	.48	.39
FF6400-10-10-O	5/8	1 - 14	7/8 - 14	1.70	1.07	1.06	.48	.48
FF6400-10-12-O	5/8	1 - 14	1-1/16 - 12	1.86	1.13	1.25	.48	.48
FF6400-12-8-O	3/4	1-3/16 - 12	3/4 - 16	1.91	1.36	1.25	.61	.39
FF6400-12-10-O	3/4	1-3/16 - 12	7/8 - 14	1.99	1.36	1.25	.61	.48
FF6400-12-12-O	3/4	1-3/16 - 12	1-1/16 - 12	1.92	1.19	1.25	.61	.61
FF6400-12-16-O	3/4	1-3/16 - 12	1-5/16 - 12	1.96	1.23	1.50	.61	.61
FF6400-16-10-O	1	1-7/16 - 12	7/8 - 14	2.04	1.41	1.50	.81	.49
FF6400-16-12-O	1	1-7/16 - 12	1-1/16 - 12	2.14	1.41	1.50	.81	.61
FF6400-16-16-O	1	1-7/16 - 12	1-5/16 - 12	1.99	1.26	1.50	.81	.81
FF6400-16-20-O	1	1-7/16 - 12	1-5/8 - 12	2.06	1.33	1.88	.81	.81
FF6400-20-16-O	1 1/4	1-11/16 - 12	1-5/16 - 12	2.28	1.55	1.75	1.02	.84
FF6400-20-20-O	1 1/4	1-11/16 - 12	1-5/8 - 12	2.06	1.33	1.88	1.02	1.02
FF6400-20-24-O	1 1/4	1-11/16 - 12	1-7/8 - 12	2.13	1.40	2.13	1.02	1.02
FF6400-24-20-O	1 1/2	2 - 12	1-5/8 - 12	2.35	1.62	2.13	1.26	1.08
FF6400-24-24-O	1 1/2	2 - 12	1-7/8 - 12	2.22	1.40	2.13	1.26	1.26

FF6400-L STRAIGHT THREAD CONNECTOR LONG

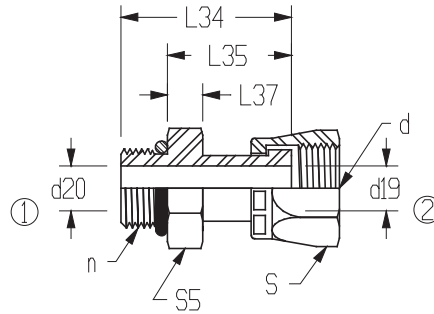


Part Number	Tube OD	d UN/UNF-2A	n UN/UNF-2A	L32	L31	S5	d1	d20
FF6400-L-4-4-O	1/4	9/16 - 18	7/16 - 20	2.07	1.64	.63	.17	.17
FF6400-L-6-6-O	3/8	11/16 - 18	9/16 - 18	2.27	1.80	.75	.26	.26
FF6400-L-8-8-O	1/2	13/16 - 16	3/4 - 16	2.67	2.12	.88	.38	.38
FF6400-L-10-10-O	5/8	1 - 14	7/8 - 14	3.13	2.50	1.06	.48	.48
FF6400-L-12-12-O	3/4	1-3/16 - 12	1-1/16 - 12	3.76	3.03	1.25	.61	.61
FF6400-L-16-16-O	1	1-7/16 - 12	1-5/16 - 12	4.14	3.41	1.50	.81	.81
FF6400-L-20-16-O	1-1/4	1-11/16 - 12	1-5/16 - 12	5.04	4.03	1.75	1.02	.85
FF6400-L-20-20-O	1-1/4	1-11/16 - 12	1-5/8 - 12	4.76	4.03	1.75	1.02	1.02
FF6400-L-24-24-O	1-1/2	2 - 12	1-7/8 - 12	5.26	4.53	2.13	1.26	1.26

O-Ring Face Seal Adapters

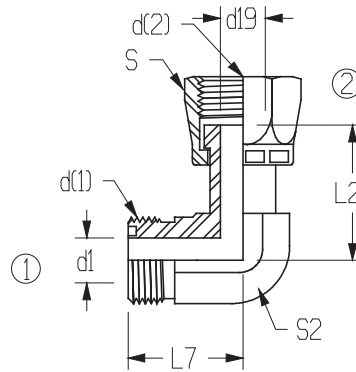


FF6402 STRAIGHT THREAD/ SWIVEL ADAPTER



Part Number	Tube OD	D		N		L34	L35	L37	S	S5	d19	d20
		UN/UNF-2A	UN/UNF-2A	UN/UNF-2A	UN/UNF-2A							
FF6402-4-4-O	1/4	7/16 - 20	9/16 - 18	1.49	1.03	.45	.69	.56	.17	.17		
FF6402-6-6-O	3/8	9/16 - 18	11/16 - 16	1.58	1.11	.42	.81	.75	.26	.26		
FF6402-8-8-O	1/2	3/4 - 16	13/16 - 16	1.94	1.39	.55	.94	.88	.38	.38		
FF6402-10-10-O	5/8	7/8 - 14	1 - 14	2.21	1.49	.55	1.13	1.06	.48	.48		
FF6402-12-12-O	3/4	1-1/16 - 12	13/16 - 12	2.35	1.62	.59	1.38	1.25	.61	.61		
FF6402-16-16-O	1	1-5/16 - 12	1-7/16 - 12	2.66	1.93	.82	1.63	1.50	.81	.81		
FF6402-20-20-O	1-1/4	1-5/8 - 12	1-11/16 - 12	2.69	1.93	.78	1.46	1.75	1.02	1.02		

FF6500 90° SWIVEL ELBOW

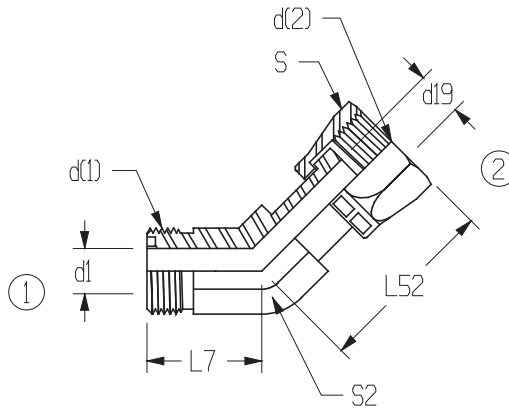


Part Number	Tube OD	d (1)		d (2)		L7	L52	S	S2	d1	d19
		UN/UNF-2A	UN/UNF-2A	UN/UNF-2B	UN/UNF-2B						
FF6500-4-4-O	1/4 - 1/4	9/16 - 18	9/16 - 18	.85	1.04	.69	.56	.17	.17		
FF6500-6-6-O	3/8 - 3/8	11/16 - 16	11/16 - 16	.98	1.15	.81	.75	.26	.26		
FF6500-8-8-O	1/2 - 1/2	13/16 - 16	13/16 - 16	1.10	1.49	.94	.75	.38	.36		
FF6500-10-10-O	5/8 - 5/8	1 - 14	1 - 14	1.31	1.62	1.13	1.06	.48	.45		
FF6500-10-16-O	5/8 - 1	1 - 14	1-7/16 - 12	1.56	2.10	1.63	1.44	.48	.78		
FF6500-12-12-O	3/4 - 3/4	1-3/16 - 12	1-3/16 - 12	1.47	1.82	1.38	1.19	.61	.55		
FF6500-16-16-O	1 - 1	1-7/16 - 12	1-7/16 - 12	1.64	2.10	1.63	1.44	.81	.78		
FF6500-20-20-O	1-1/4 - 1	1-11/16 - 12	1-11/16 - 12	1.76	2.29	1.88	1.61	1.02	1.02		
FF6500-24-24-O	1-1/2 - 1	2 - 12	2 - 12	1.92	2.41	2.25	1.97	1.26	1.26		



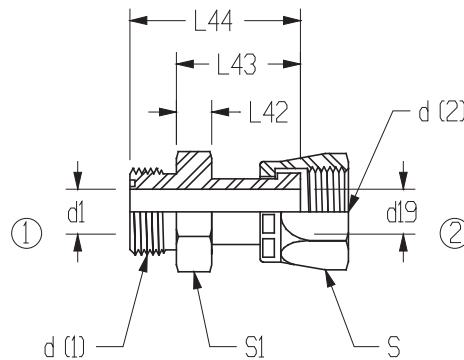
O-Ring Face Seal Adapters

FF6502 45° SWIVEL ELBOW



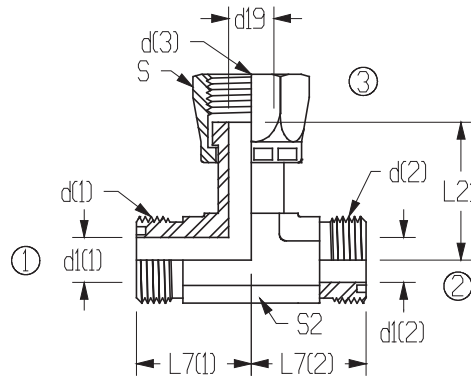
Part Number	Tube OD	d (1) UN/UNF-2A	d (2) UN/UNF-2B	L7	L52	S	S2	d1	d19
FF6502-4-4	1/4 - 1/4	9/16 - 18	9/16 - 18	.63	.99	.69	.55	.17	.17
FF6502-6-6	3/8 - 3/8	11/16 - 16	11/16 - 16	.74	1.12	.81	.75	.26	.26
FF6502-8-8	1/2 - 1/2	13/16 - 16	13/16 - 16	.80	1.49	.94	.75	.38	.36
FF6502-10-10	5/8 - 5/8	1 - 14	1 - 14	.92	1.53	1.13	1.06	.48	.45
FF6502-12-12	3/4 - 3/4	1-3/16 - 12	1-3/16 - 12	1.02	1.73	1.38	1.18	.61	.55
FF6502-16-16	1 - 1	1-7/16 - 12	1-7/16 - 12	1.18	1.87	1.63	1.42	.81	.78
FF6502-20-20	1-1/4 - 1-1/4	1-11/16 - 12	1-11/16 - 12	1.26	1.98	1.88	1.61	1.02	1.02

FF6504 MALE ORFS / FEMALE ORFS



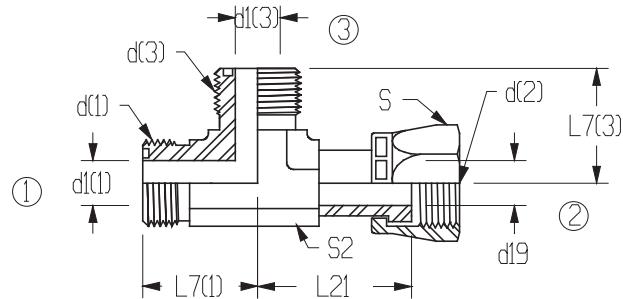
Part Number	Tube OD	d (1) UN/UNF-2A	d (2) UN/UNF-2A	L44	L43	L42	S	S1	d1	d19
FF6504-12-8-O	3/4 - 1/2	13/16 - 16	1-3/16 - 12	2.24	1.70	1.03	.94	1.13	.38	.55
FF6504-6-6-O	3/8 - 3/8	11/16 - 16	11/16 - 16	1.58	1.14	.69	.69	.69	.26	.26

O-Ring Face Seal Adapters



**FF6600
SWIVEL BRANCH TEE**

Part Number	Tube OD	d (1) UN/UNF-2A	d (2) UN/UNF-2A	d (3) UN/UNF-2B	L7 (1)	L7 (2)	L21	S	S2	d1 (1)	d1 (2)	d19
FF6600-4-4-4-O	1/4 - 1/4 - 1/4	9/16 - 18	9/16 - 18	9/16 - 18	.85	.85	1.04	.69	.56	.17	.17	.17
FF6600-6-6-6-O	3/8 - 3/8 - 3/8	11/16 - 16	11/16 - 16	11/16 - 16	.98	.98	1.15	.81	.75	.26	.26	.26
FF6600-8-8-8-O	1/2 - 1/2 - 1/2	13/16 - 16	13/16 - 16	13/16 - 16	1.10	1.10	1.49	.94	.75	.38	.38	.36
FF6600-10-10-10-O	5/8 - 5/8 - 5/8	1 - 14	1 - 14	1 - 14	1.31	1.31	1.62	1.13	1.06	.48	.48	.45
FF6600-12-12-12-O	3/4 - 3/4 - 3/4	1-3/16 - 12	1-3/16 - 12	1-3/16 - 12	1.47	1.47	1.82	1.38	1.19	.61	.61	.55
FF6600-16-16-16-O	1 - 1 - 1	1-7/16 - 12	1-7/16 - 12	1-7/16 - 12	1.64	1.64	2.10	1.63	1.44	.81	.81	.78
FF6600-20-20-20-O	1-1/4 - 1-1/4 - 1-1/4	1-11/16 - 12	1-11/16 - 12	1-11/16 - 12	1.76	1.76	2.29	1.88	1.61	1.02	1.02	1.02
FF6600-24-24-24-O	1-1/2 - 1-1/2 - 1-1/2	2 - 12	2 - 12	2 - 12	1.92	1.92	2.41	2.38	1.97	1.26	1.26	1.26



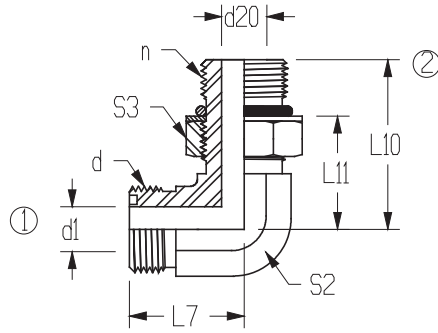
**FF6602
SWIVEL RUN TEE**

Part Number	Tube OD	d (1) UN/UNF-2A	d (2) UN/UNF-2A	d (3) UN/UNF-2B	L7 (1)	L7 (2)	L21	S	S2	d1 (1)	d1 (2)	d19
FF6602-4-4-4-O	1/4 - 1/4 - 1/4	9/16 - 18	9/16 - 18	9/16 - 18	.85	.85	1.04	.69	.56	.17	.17	.17
FF6602-6-6-6-O	3/8 - 3/8 - 3/8	11/16 - 16	11/16 - 16	11/16 - 16	.98	.98	1.15	.81	.75	.26	.26	.26
FF6602-8-8-8-O	1/2 - 1/2 - 1/2	13/16 - 16	13/16 - 16	13/16 - 16	1.10	1.10	1.49	.94	.75	.38	.38	.36
FF6602-10-10-10-O	5/8 - 5/8 - 5/8	1 - 14	1 - 14	1 - 14	1.31	1.31	1.62	1.13	1.06	.48	.48	.45
FF6602-12-12-12-O	3/4 - 3/4 - 3/4	1-3/16 - 12	1-3/16 - 12	1-3/16 - 12	1.47	1.47	1.82	1.38	1.19	.61	.61	.55
FF6602-16-16-16-O	1 - 1 - 1	1-7/16 - 12	1-7/16 - 12	1-7/16 - 12	1.64	1.64	2.10	1.63	1.44	.81	.81	.78
FF6602-20-20-20-O	1-1/4 - 1-1/4 - 1-1/4	1-11/16 - 12	1-11/16 - 12	1-11/16 - 12	1.76	1.76	2.29	1.88	1.61	1.02	1.02	1.02
FF6602-24-24-24-O	1-1/2 - 1-1/2 - 1-1/2	2 - 12	2 - 12	2 - 12	1.92	1.92	2.41	2.38	1.97	1.26	1.26	1.26



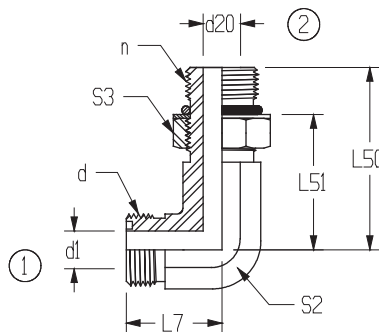
O-Ring Face Seal Adapters

FF6801
90°
STRAIGHT THREAD
ELBOW



Part Number	Tube OD	d UN/UNF-2A	n UN/UNF-2A	L7	L10	L11	S3	S2	d1	d20
FF6801-4-4 NWO	1/4	9/16 - 18	7/16 - 20	.85	1.29	.86	.63	.56	.17	.17
FF6801-4-6 NWO	1/4	9/16 - 18	9/16 - 18	.92	1.45	.98	.75	.56	.17	.26
FF6801-4-8-NWO	1/4	9/16 - 18	3/4 - 16	.97	1.60	1.06	.94	.75	.17	.38
FF6801-6-4 NWO	3/8	11/16 - 16	7/16 - 20	.98	1.37	.94	.63	.75	.26	.17
FF6801-6-5-NWO	3/8	11/16 - 16	1/2 - 20	.98	1.37	.94	.69	.75	.26	.24
FF6801-6-6 NWO	3/8	11/16 - 16	9/16 - 18	.98	1.45	.98	.75	.75	.26	.26
FF6801-6-8 NWO	3/8	11/16 - 18	3/4 - 16	1.04	1.60	1.06	.94	.75	.26	.38
FF6801-6-10 NWO	3/8	11/16 - 16	7/8 - 12	1.15	1.97	1.34	1.06	.87	.26	.48
FF6801-6-12 NWO	3/8	11/16 - 16	1-1/16 - 12	1.25	2.17	1.44	1.38	1.19	.26	.61
FF6801-8-6 NWO	1/2	13/16 - 16	9/16 - 18	1.10	1.44	.96	.75	.75	.38	.26
FF6801-8-8 NWO	1/2	13/16 - 16	3/4 - 16	1.10	1.60	1.06	.94	.75	.38	.38
FF6801-8-10 NWO	1/2	13/16 - 16	7/8 - 14	1.21	1.97	1.34	1.06	.87	.38	.48
FF6801-8-12 NWO	1/2	13/16 - 16	1-1/16 - 12	1.32	2.17	1.44	1.38	1.19	.38	.61
FF6801-10-6 NWO	5/8	1 - 14	9/16 - 18	1.31	1.64	1.16	.75	1.06	.48	.26
FF6801-10-8 NWO	5/8	1 - 14	3/4 - 16	1.31	1.80	1.26	.94	1.06	.48	.38
FF6801-10-10 NWO	5/8	1 - 14	7/8 - 14	1.31	1.97	1.34	1.06	1.06	.48	.48
FF6801-12-8-NWO	3/4	1-3/16 - 12	3/4 - 16	1.47	1.84	1.30	.94	1.19	.61	.38
FF6801-12-10 NWO	3/4	1-3/16 - 12	7/8 - 14	1.47	2.01	1.38	1.06	1.19	.61	.48
FF6801-12-12 NWO	3/4	1-3/16 - 12	1-1/16 - 12	1.47	2.17	1.44	1.38	1.19	.61	.61
FF6801-12-16 NWO	3/4	1-3/16 - 12	1-5/16 - 12	1.62	2.35	1.62	1.63	1.44	.61	.81
FF6801-16-10 NWO	1	1-7/16 - 12	7/8 - 14	1.64	2.16	1.52	1.06	1.42	.81	.48
FF6801-16-12 NWO	1	1-7/16 - 12	1-1/16 - 12	1.64	2.32	1.59	1.38	1.44	.81	.61
FF6801-16-14 NWO	1	1-7/16 - 12	1-3/16 - 12	1.64	2.35	1.62	1.50	1.44	.81	.72
FF6801-16-16 NWO	1	1-7/16 - 12	1-5/16 - 12	1.64	2.35	1.62	1.63	1.44	.81	.81
FF6801-16-20 NWO	1	1-7/16 - 12	1-5/8 - 12	1.76	2.45	1.72	1.88	1.63	.81	1.02
FF6801-20-16 NWO	1-1/4	1-11/16 - 12	1-5/16 - 12	1.76	2.45	1.72	1.63	1.63	1.02	.84
FF6801-20-20 NWO	1-1/4	1-11/16 - 12	1-5/8 - 12	1.76	2.45	1.72	1.88	1.61	1.02	1.02
FF6801-20-24 NWO	1-1/4	1-11/16 - 12	1-7/8 - 12	1.92	2.59	1.86	2.13	1.88	1.02	1.26
FF6801-24-20 NWO	1-1/2	2 - 12	1-5/8 - 12	1.92	2.59	1.72	1.88	1.88	1.26	1.02
FF6801-24-24 NWO	1-1/2	2 - 12	1-7/8 - 12	1.92	2.59	1.86	2.13	1.88	1.26	1.26

FF6801-L
90°
STRAIGHT THREAD
ELBOW

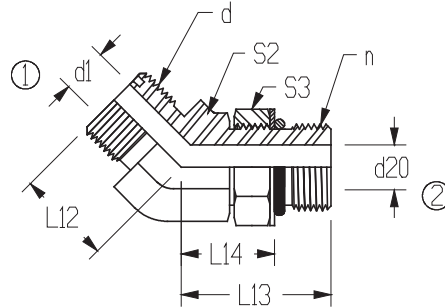


INFORMATION AVAILABLE UPON REQUEST.
CALL CUSTOMER SERVICE FOR DETAILS.

O-Ring Face Seal Adapters

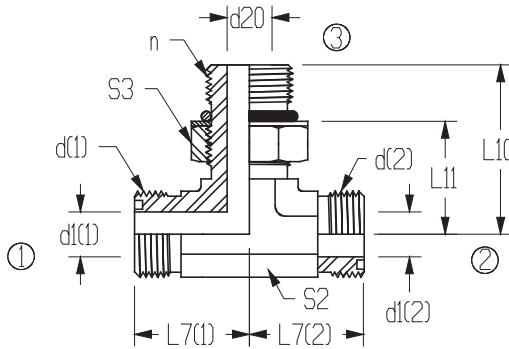


FF6802 45° STRAIGHT THREAD ELBOW



Part Number	Tube OD	D		L12	L13	L14	S3	S2	d1	d20
		UN/UNF-2A	N UN/UNF-2A							
FF6802-4-4 NWO	1/4	9/16 - 18	7/16 - 20	.63	1.18	.75	.63	.56	.17	.17
FF6802-4-6 NWO	1/4	9/16 - 18	9/16 - 18	.68	1.30	.82	.75	.75	.17	.29
FF6802-4-8 NWO	1/4	9/16 - 18	3/4 - 16	.67	1.43	.89	.94	.75	.17	.39
FF6802-6-4 NWO	3/8	11/16 - 16	7/16 - 20	.74	1.22	.79	.63	.67	.26	.17
FF6802-6-6 NWO	3/8	11/16 - 16	9/16 - 18	.74	1.30	.82	.75	.75	.26	.26
FF6802-6-8 NWO	3/8	11/16 - 16	3/4 - 16	.74	1.43	.89	.94	.75	.26	.39
FF6802-8-6 NWO	1/2	13/16 - 16	9/16 - 18	.80	1.27	.80	.75	.75	.38	.29
FF6802-8-8 NWO	1/2	13/16 - 16	3/4 - 16	.80	1.43	.89	.94	.75	.38	.38
FF6802-8-10 NWO	1/2	13/16 - 16	7/8 - 14	.82	1.76	1.13	1.06	.94	.48	.39
FF6802-10-8 NWO	5/8	1 - 14	3/4 - 16	.92	1.59	1.05	.94	.94	.48	.38
FF6802-10-10 NWO	5/8	1 - 14	7/8 - 14	.92	1.76	1.13	1.06	1.06	.48	.48
FF6802-10-12 NWO	5/8	1 - 14	1-1/16 - 12	.96	1.97	1.24	1.38	1.06	.48	.61
FF6802-12-10 NWO	3/4	1-3/16 - 12	7/8 - 14	1.02	1.29	1.18	1.06	1.06	.61	.48
FF6802-12-12 NWO	3/4	1-3/16 - 12	1-1/16 - 12	1.02	1.97	1.24	1.38	1.19	.61	.61
FF6802-12-16 NWO	3/4	1-3/16 - 12	1-5/16 - 12	1.02	2.06	1.33	1.63	1.44	.61	.81
FF6802-16-12 NWO	1	1-7/16 - 12	1-1/16 - 12	1.18	2.03	1.30	1.38	1.42	.81	.61
FF6802-16-16 NWO	1	1-7/16 - 12	1-5/16 - 12	1.18	2.06	1.33	1.63	1.44	.81	.81
FF6802-16-20-NWO	1	1-7/16 - 12	1-5/8 - 12	1.26	2.11	1.33	1.88	1.61	.81	1.08
FF6802-20-16-NWO	1-1/4	1-11/16 - 12	1-5/16 - 12	1.27	2.11	1.33	1.63	1.44	1.02	.81
FF6802-20-20 NWO	1-1/4	1-11/16 - 12	1-5/8 - 12	1.28	2.11	1.38	1.88	1.61	1.02	1.08
FF6802-20-24 NWO	1-1/4	1-11/16 - 12	1-7/8 - 12	1.45	2.11	1.38	2.13	1.97	1.02	1.31
FF6802-24-20 NWO	1-1/2	2 - 12	1-5/8 - 12	1.58	2.11	1.38	1.88	1.61	1.26	1.08
FF6802-24-24 NWO	1-1/2	2 - 12	1-7/8 - 12	1.45	2.11	1.38	2.13	1.97	1.26	1.31

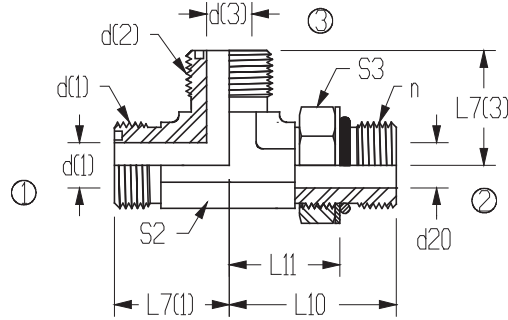
FF6803 STRAIGHT THREAD BRANCH TEE



Part Number	Tube OD	d (1)		d (2)		N UN/UNF-2A	L7 (1)	L7 (2)	L10	L11	S3	S2	d1 (1)	d1 (2)	d20
		UN/UNF-2A	UN/UNF-2A	UN/UNF-2A	UN/UNF-2A										
FF6803-4-4-4 NWO	1/4 - 1/4	9/16 - 18	9/16 - 18	9/16 - 18	9/16 - 18	7/16 - 20	.85	.85	1.29	.86	.63	.56	.17	.17	.17
FF6803-6-6-6 NWO	3/8 - 3/8	11/16 - 16	11/16 - 16	11/16 - 16	11/16 - 16	9/16 - 18	.98	.98	1.45	.98	.75	.75	.26	.26	.26
FF6803-6-6-8-NWO	3/8 - 3/8	11/16 - 16	11/16 - 16	11/16 - 16	11/16 - 16	3/4 - 16	1.04	1.04	1.60	1.06	.94	.75	.26	.26	.38
FF6803-8-8-8 NWO	1/2 - 1/2	13/16 - 16	13/16 - 16	13/16 - 16	13/16 - 16	3/4 - 16	1.10	1.10	1.60	1.06	.94	.75	.38	.38	.38
FF6803-10-10-10 NWO	5/8 - 5/8	1 - 14	1 - 14	1 - 14	1 - 14	7/8 - 14	1.31	1.31	1.97	1.34	1.06	1.06	.48	.48	.48
FF6803-12-12-12 NWO	3/4 - 3/4	1-3/16 - 12	1-3/16 - 12	1-3/16 - 12	1-3/16 - 12	1-1/16 - 12	1.47	1.47	2.17	1.44	1.38	1.19	.61	.61	.61
FF6803-16-16-6-NWO	1 - 1	1-7/16 - 12	1-7/16 - 12	1-7/16 - 12	1-7/16 - 12	9/16 - 18	1.64	1.64	2.35	.98	1.63	1.48	.81	.81	.28
FF6803-16-16-16 NWO	1 - 1	1-7/16 - 12	1-7/16 - 12	1-7/16 - 12	1-7/16 - 12	1-5/16 - 12	1.64	1.64	2.35	1.62	1.63	1.48	.81	.81	.81
FF6803-20-12-16 NWO	1-1/4 - 3/4	1-11/16 - 12	1-3/16 - 12	1-3/16 - 12	1-3/16 - 12	1-5/16 - 12	1.76	1.74	2.45	1.72	1.63	1.61	1.02	.61	.85
FF6803-20-20-20 NWO	1-1/4 - 1-1/4	1-11/16 - 12	1-11/16 - 12	1-11/16 - 12	1-11/16 - 12	1-5/8 - 12	1.76	1.76	2.45	1.72	1.88	1.61	1.02	1.02	1.08
FF6803-24-24-24 NWO	1-1/2 - 1-1/2	2 - 12	2 - 12	2 - 12	2 - 12	1-7/8 - 12	1.92	1.92	2.59	1.86	2.13	1.97	1.26	1.26	1.31

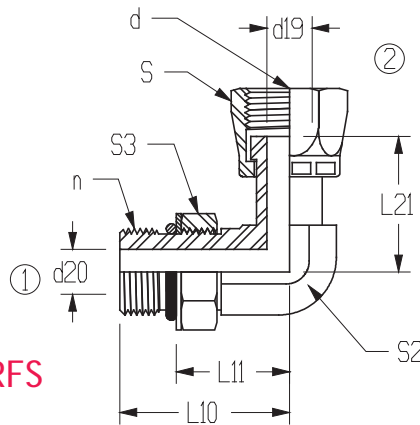


O-Ring Face Seal Adapters



FF6804
STRAIGHT THREAD
RUN TEE

Part Number	Tube OD	d (1) UN/UNF-2A	n UN/UNF-2A	d (3) UN/UNF-2A	L7 (1)	L10	L11	L7 (3)	S3	S2	d1 (1)	d20	d1 (3)
FF6804-4-4-4 NWO	1/4 - 1/4	9/16 - 18	7/16 - 20	9/16 - 18	.85	1.29	.86	.85	.63	.56	.17	.17	.17
FF6804-4-6-4 NWO	1/4 - 3/8	9/16 - 18	9/16 - 18	9/16 - 18	.93	1.45	.98	.93	.75	.56	.17	.30	.17
FF6804-6-6-6 NWO	3/8 - 3/8	11/16 - 16	9/16 - 18	11/16 - 16	.98	1.45	.98	.98	.75	.75	.26	.26	.26
FF6804-8-8-8 NWO	1/2 - 1/2	13/16 - 16	3/4 - 16	13/16 - 16	1.10	1.60	1.06	1.10	.94	.75	.38	.38	.38
FF6804-10-10-6 NWO	5/8 - 5/8	1 - 14	7/8 - 14	11/16 - 16	1.31	1.97	1.34	1.15	1.06	1.06	.48	.48	.26
FF6804-10-10-10 NWO	5/8 - 5/8	1 - 14	7/8 - 14	1 - 14	1.31	1.97	1.34	1.31	1.06	1.06	.48	.48	.48
FF6804-12-12-12 NWO	3/4 - 3/4	1-3/16 - 12	1-1/16 - 12	1-3/16 - 12	1.47	2.17	1.44	1.47	1.38	1.19	.61	.61	.61
FF6804-16-16-16 NWO	1 - 1	1-7/16 - 12	1-5/16 - 12	1-7/16 - 12	1.64	2.35	1.62	1.64	1.63	1.44	.81	.81	.81
FF6804-20-20-20 NWO	1-1/4 - 1 1/4	1-11/16 - 12	1-5/8 - 12	1-11/16 - 12	1.76	2.45	1.72	1.76	1.88	1.63	1.02	1.02	1.02
FF6804-24-24-24 NWO	1-1/2 - 1 1/2	1-7/8 - 12	1-7/8 - 12	2 - 12	1.92	2.59	1.86	1.92	2.13	1.97	1.26	1.31	1.26



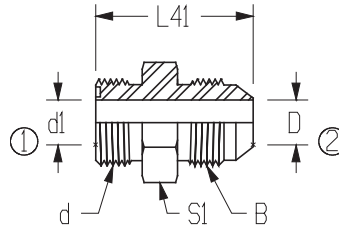
FF6809
90°
STRAIGHT THREAD / FEMALE ORFS
SWIVEL ELBOW

Part Number	Tube OD	d UN/UNF-2B	n UN/UNF-2A	L10	L11	L21	S	S2	S3	d19	d20
FF6809-16-16-NWO	1	1 7/16-12	1 5/16-12	2.35	1.62	2.10	1.63	1.44	1.63	.78	.81

O-Ring Face Seal Adapters

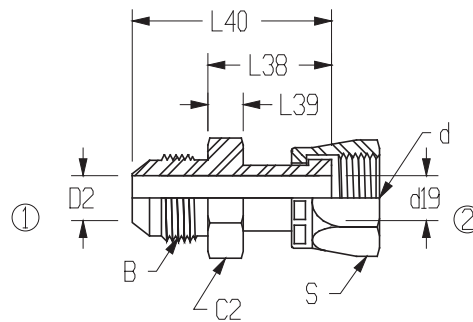


FF7403 37° MALE JIC / MALE ORFS ADAPTER



Part Number	Tube OD	d UN/UNF-2A	b UN/UNF-2A	L41	S1	d1	D
FF7403-4-4	1/4 - 1/4	9/16 - 18	7/16 - 20	1.25	.63	.17	.17
FF7403-6-6	3/8 - 3/8	11/16 - 16	9/16 - 18	1.34	.75	.26	.26
FF7403-8-8	1/2 - 1/2	13/16 - 16	3/4 - 16	1.55	.88	.38	.38
FF7403-10-10	5/8 - 5/8	1 - 14	7/8 - 14	1.83	1.06	.48	.48
FF7403-12-12	3/4 - 3/4	1-3/16 - 12	1-1/16 - 12	2.05	1.25	.61	.61
FF7403-16-16	1 - 1	1-7/16 - 12	1-5/16 - 12	2.16	1.50	.81	.81

FF7504 37° MALE JIC / MALE ORFS SWIVEL ADAPTER



Part Number	Tube OD	S UN/UNF-2A	B UN/UNF-2A	L40	L38	L39	C2	S	d19	D2
FF7504-4-4	1/4 - 1/4	9/16 - 18	7/16 - 20	1.50	.95	.34	.56	.40	.17	.17
FF7504-6-6	3/8 - 3/8	11/16 - 16	9/16 - 18	1.61	1.05	.39	.69	.52	.26	.26
FF7504-8-8	1/2 - 1/2	13/16 - 16	3/4 - 16	1.90	1.24	.40	.88	.64	.36	.36
FF7504-10-10	5/8 - 5/8	1 - 14	7/8 - 14	2.20	1.44	.50	.94	.82	.45	.45
FF7504-12-8	3/4 - 1/2	13/16 - 16	1-1/16 - 12	1.60	.74	.35	1.13	.64	.37	.62
FF7504-12-12	3/4 - 3/4	1-3/16 - 12	1-1/16 - 12	2.50	1.64	.61	1.13	.98	.55	.55
FF7504-16-16	1 - 1	1-7/16 - 12	1-5/16 - 12	2.66	1.75	.64	1.38	1.16	.78	.78
FF7504-20-20	1-1/4 - 1-1/4	1-11/16 - 12	1-5/8 - 12	2.80	1.84	.69	1.69	1.46	1.02	1.02